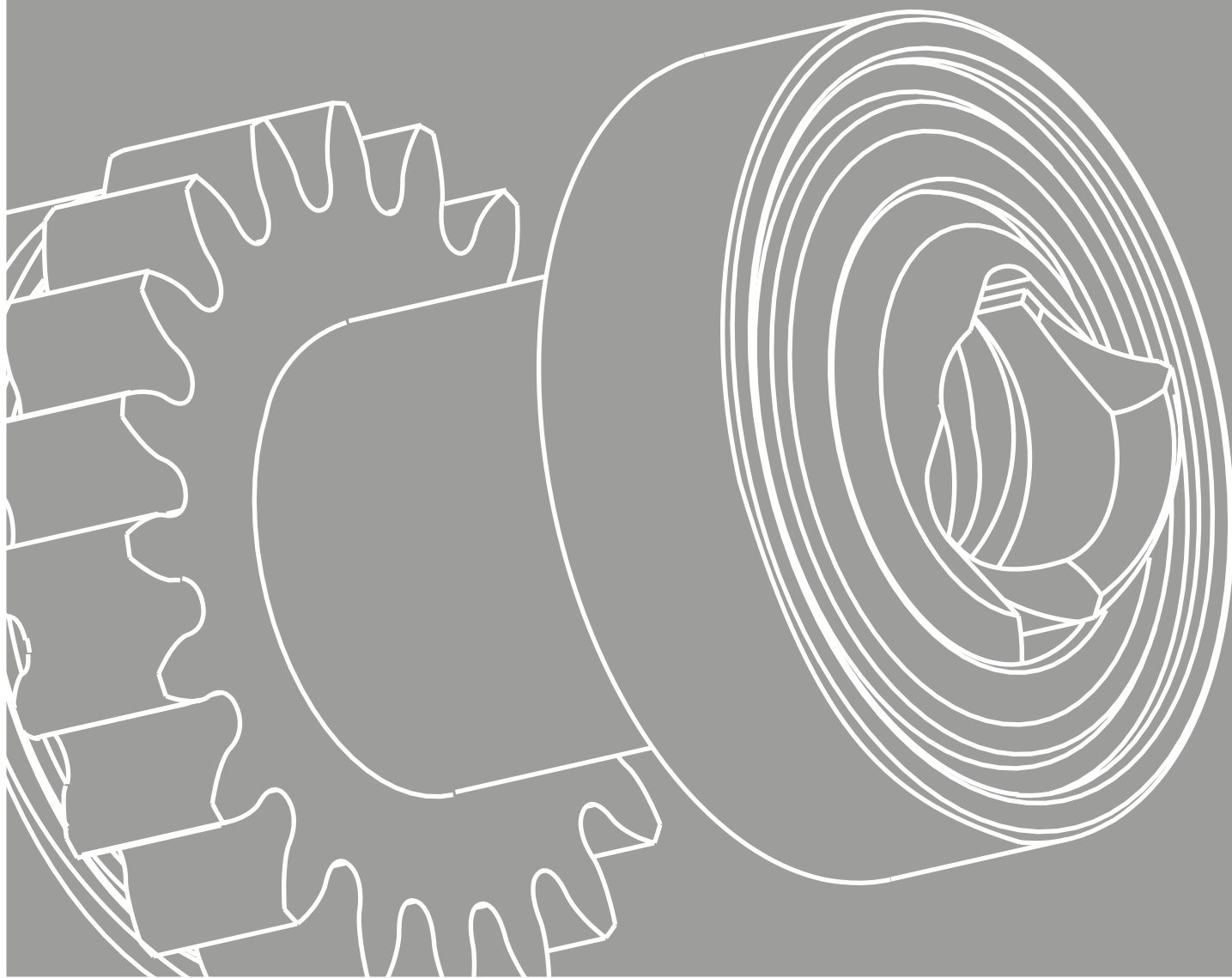


RICAMBI PER CONTRANGOLI

CONTRA-ANGLES SPARE PARTS



Ivory®
KaVo®
Mk-Dent®
Bien-Air®
Sirona®
W&H®

RICAMBI PER CONTRANGOLI

CONTRA-ANGLES SPARE PARTS

The products are complies
EN ISO 13485

Tecnomed Italia propone una vasta gamma di ricambi compatibili per contrangoli, costruiti con materiali di alta qualità. Tutti i ricambi sono realizzati da aziende specializzate nella micromeccaniche di precisione medicale e seguono norme specifiche atte a soddisfare i requisiti di un sistema di gestione per la qualità EN ISO 13485.

Tecnomed Italia offers a wide range of contra-angles spare parts compatible with most equipment manufacturers. All spare parts are made by companies specialized in medical precision micromechanics and are manufactured in according of the EN ISO 13485.



PLUS PRINCIPALI

MAIN PLUS

- ✓ Materiali di alta qualità
- ✓ Tutti i ricambi sono approvati dal team tecnico
- ✓ Perfettamente bilanciati
- ✓ Vasta gamma
- ✓ Garanzia italiana su tutti i nostri ricambi
- ✓ 12 mesi di garanzia
- ✓ EN ISO 13485

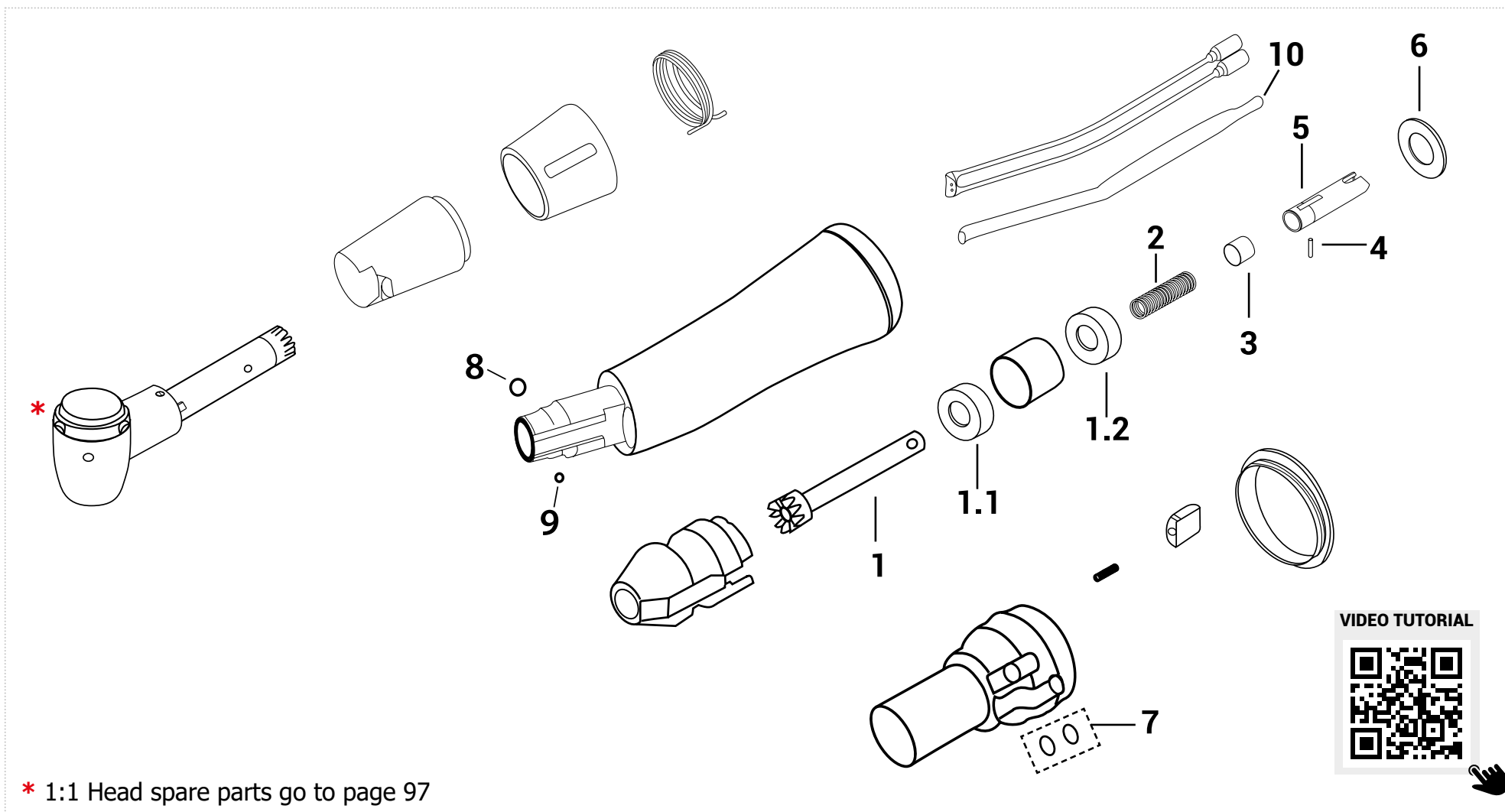
- ✓ Top quality materials
- ✓ All our spares are approved by our technical team
- ✓ Perfectly balanced
- ✓ Wide range
- ✓ Italian warranty of all our spares
- ✓ 12-month warranty
- ✓ EN ISO 13485

















KaVo® 20C/CH/CN/LH/LHC/LN/LP - 2068LHC - E20L - Ivory® SL411C/L -
Mk-Dent® LS2011/L - LC11/L - LE11/L - LS3011L
1 : 1 Contra-angle body - Blue ring

CONTRA-ANGLES








KaVo® 20C/CH/CN/LH/LHC/LN/LP - 2068LHC - E20L - Ivory® SL411C/L -
 Mk-Dent® LS2011/L - LC11/L - LE11/L - LS3011L
 1 : 1 Contra-angle body - Blue ring

CONTRA-ANGLES

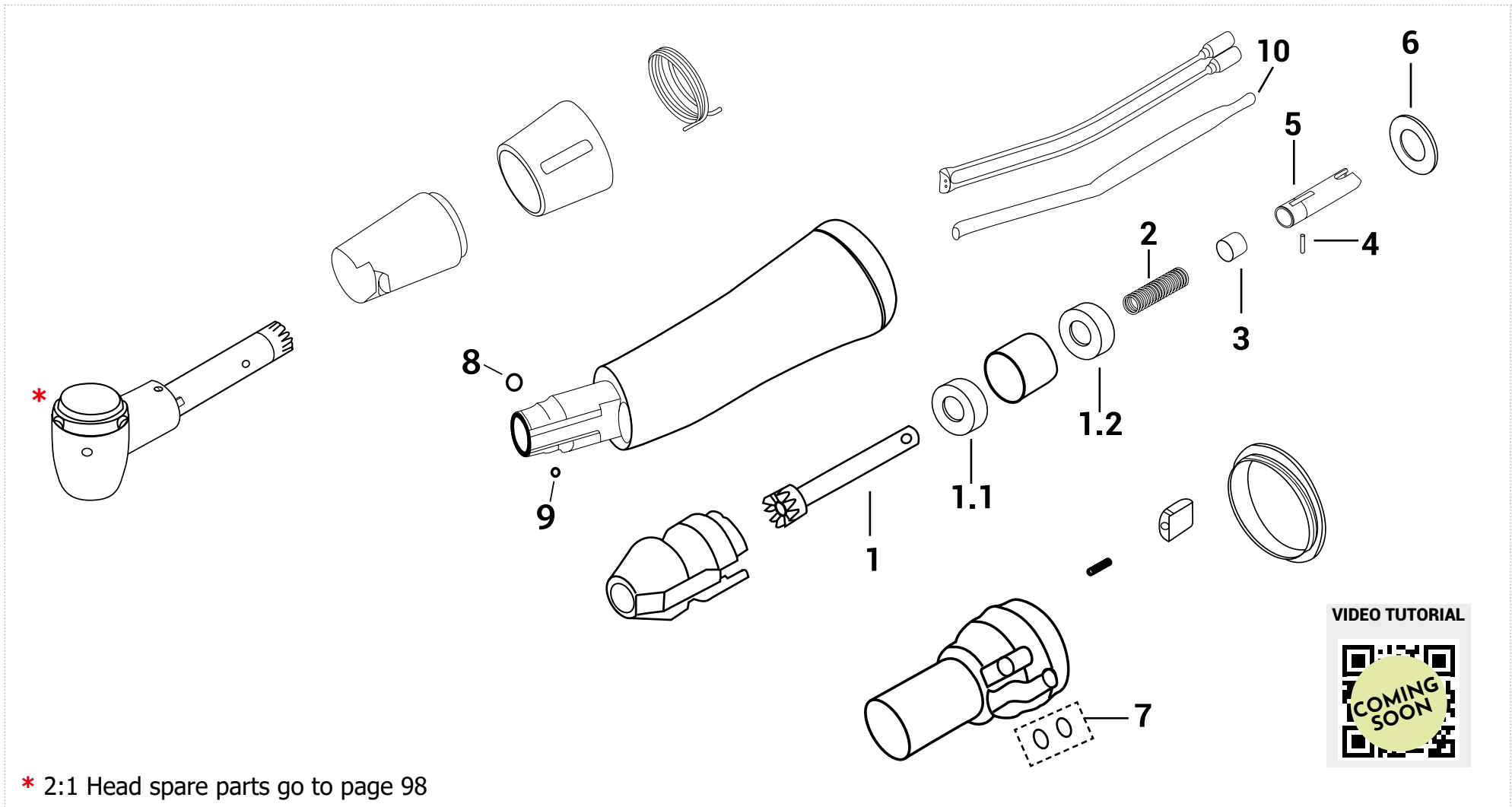
| | | | | | | | | | | | | |
|-------------------|---|---|---|---|---|---|---|---|---|---|---|---|
| |  |  |  |  |  |  |  |  |  |  |  |  |
| | 1 | 1.1 | 1.2 | 2 | 3 | 4 | 5 | 6 | 7 | 8 | 9 | 10 |
| | Driving shaft | Bearng type (Upper) | Bearng type (Lower) | Pressure spring | Sleeve | Pin | Driver | Disk | O-ring | Ball Ø 3 mm | Ball Ø 1,5 mm | Glass optic road |
| Order code | SIV046.17 | CM322 | CM322 | SIV046.20 | SIV046.21 | SIV046.22 | SIV046.23 | SIV046.24 | OIV140 | SIV046.11 | SIV046.12 | SIV046.14 |
| | | BIV046.2 For Ivory | BIV046.2 For Ivory | | | | | | | | | |

| 1.1 - 1.2 | | | | | | | |
|-------------------|----------------|----------------------------|-------------|--------------|----------------|-----------------|-------------|
| Order code | Bearing | Size d.i./d.e/h(mm) | Cage | Balls | Contact | Brand | Type |
| | CM322 | 3 X 8 X 3 | Steel | Steel | Radial | Tecnomed Italia | Smooth |
| | BIV046.2 | 3 X 8 X 2,5 | Steel | Steel | Radial | Ivory | Smooth |

| RELATED PRODUCTSS | | | | |
|---|--|---|---|--|
|  |  |  |  |  |
| Key for disassembly ring | Base insert removal tool | Fits for spindles | Fits for angle | Lubrication |
| Order code | KIV2011M | IK2015 | CL5.001V | LIV1013 |
| | | | | Ivory® Silk Oil OL101S |

KaVo® 2067LHC - Ivory® SL421C/L - Mk-Dent® LS2012/L - LE21/L
2 : 1 Contra-angle body - Blue ring

CONTRA-ANGLES








KaVo® 2067LHC - Ivory® SL421C/L - Mk-Dent® LS2012/L - LE21/L

2 : 1 Contra-angle body - Blue ring

CONTRA-ANGLES

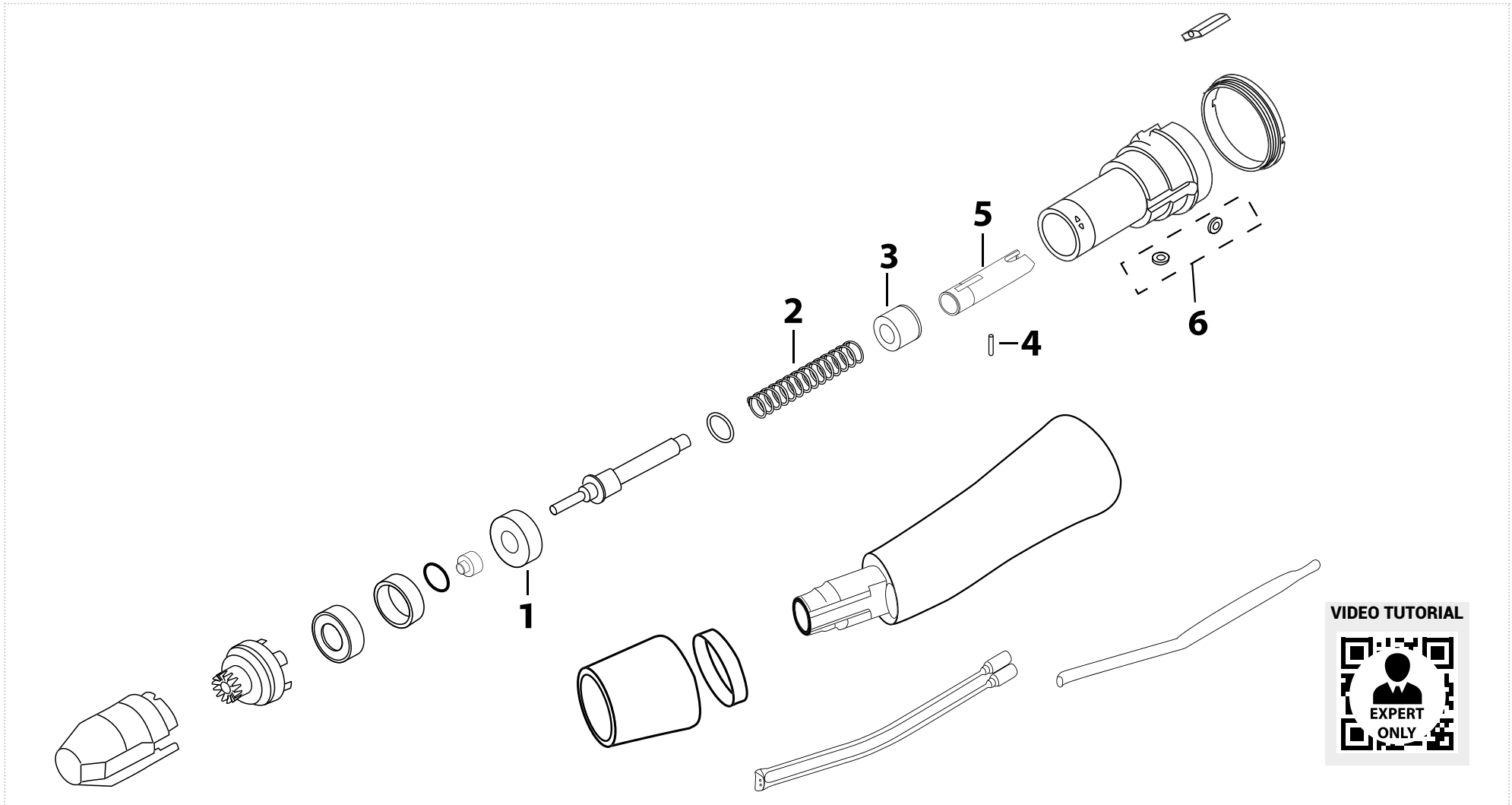
| | | | | | | | | | | | | |
|-------------------|---|---|---|---|---|---|---|---|---|---|---|---|
| |  |  |  |  |  |  |  |  |  |  |  |  |
| | 1 | 1.1 | 1.2 | 2 | 3 | 4 | 5 | 6 | 7 | 8 | 9 | 10 |
| | Driving shaft | Bearng type (Upper) | Bearng type (Lower) | Pressure spring | Sleeve | Pin | Driver | Disk | O-ring | Ball Ø 3 mm | Ball Ø 1,5 mm | Glass optic road |
| Order code | SIV046.17 | CM322 BIV046.2 For Ivory | CM322 BIV046.2 For Ivory | SIV046.20 | SIV046.21 | SIV046.22 | SIV046.23 | SIV046.24 | OIV140 | SIV046.11 | SIV046.12 | SIV046.14 |

| 1.1 - 1.2 | | | | | | | |
|-------------------|----------------|---------------------------|-------------|--------------|----------------|-----------------|-------------|
| | Bearing | Size d.i/d.e/h(mm) | Cage | Balls | Contact | Brand | Type |
| Order code | CM322 | 3 X 8 X 3 | Steel | Steel | Radial | Tecnomed Italia | Smooth |
| | BIV046.2 | 3 X 8 X 2,5 | Steel | Steel | Radial | Ivory | Smooth |

| RELATED PRODUCTSS | | | | |
|---|---|---|---|---|
|  |  |  |  |  |
| Key for disassembly ring | Base insert removal tool | Fits for spindles | Fits for angle | Lubrication |
| Order code | KIV2011M | IK2015 | CL5.001V | LIV1013 |
| | | | | Ivory® Silk Oil OL101S |

KaVo® 7LH/7LN/7LP - Mk-Dent® LS3027L
2,7 : 1 Contra-angle - Green ring

CONTRA-ANGLES



KaVo® 7LH/7LN/7LP - Mk-Dent® LS3027L

2,7 : 1 Contra-angle - Green ring

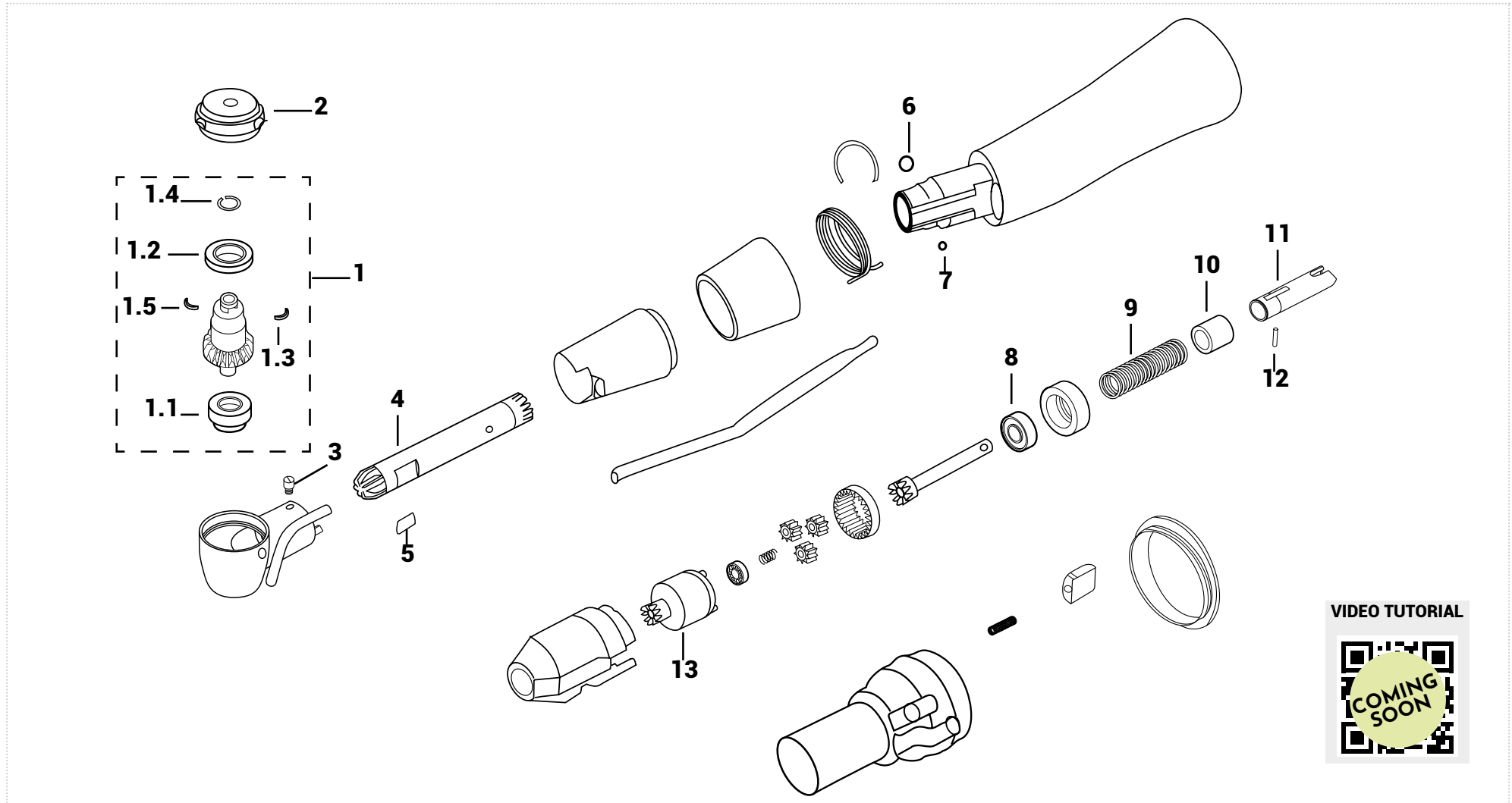
| | | | | | | |
|-------------------|--------------------------------|------------------------|---------------|------------|---------------|---------------|
| | | | | | | |
| | 1 | 2 | 3 | 4 | 5 | 6 |
| | Bearing type (inferior) | Pressure spring | Sleeve | Pin | Driver | O-ring |
| Order code | K220157 | SIV046.20 | SIV046.21 | SIV046.22 | SIV046.23 | OIV140 |

| | | | | | | | |
|-------------------|----------------|----------------------------|-------------|--------------|----------------|--------------|-------------|
| | 1 | | | | | | |
| | Bearing | Size d.i./d.e/h(mm) | Cage | Balls | Contact | Brand | Type |
| Order code | K220157 | 4 X 11 X 4 | Steel | Steel | Radial | Myonic | Smooth |

| | | | |
|-------------------|-------------------------|-----------------------|------------------------|
| | RELATED PRODUCTS | | |
| | | | |
| | Push button key | Fits for angle | Lubrication |
| Order code | KIV2011M | LIV1013 | Ivory® Silk Oil OL101S |

KaVo® SURGmatic S201XC/L Contra-angle green ring

CONTRA-ANGLES





















VIDEO TUTORIAL



KaVo® SURGmatic S201XC/XL

Contra-angle green ring

CONTRA-ANGLES

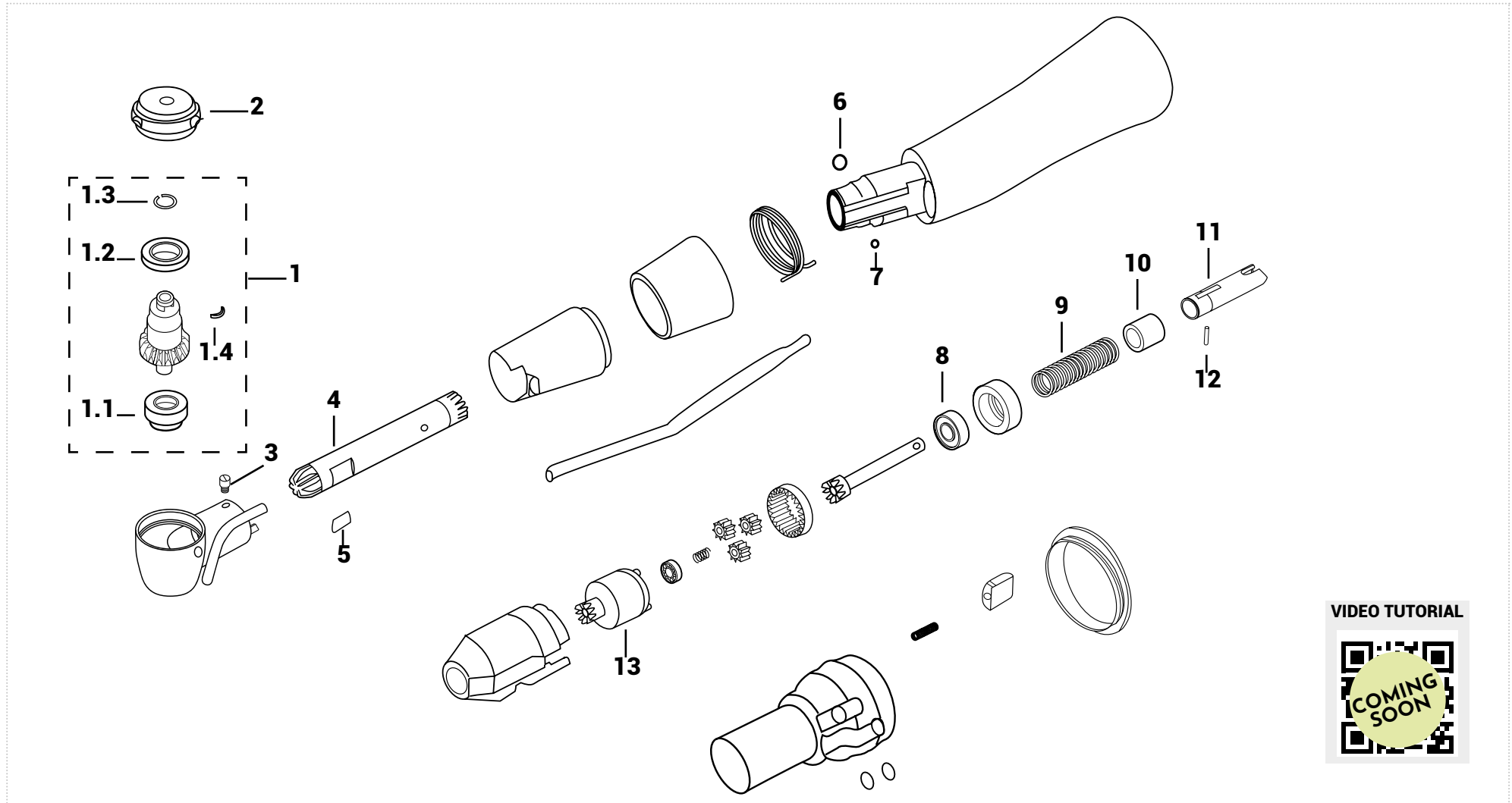
| | | | | | | | | | | | | | | | | | | |
|---|---|---|---|---|---|---|--|---|---|---|---|---|---|---|---|---|---|------------|
|  |  |  |  |  |  |  |  |  |  |  |  |  |  |  |  |  |  | |
| 1 | 1.1 | 1.2 | 1.3 | 1.4 | 1.5 | 2 | 3 | 4 | 5 | 6 | 7 | 8 | 9 | 10 | 11 | 12 | 13 | |
| Complete rotor | Bearing type (burs side) | Bearing type (push side) | Segment | Wire ring | Slide | Push button | Screw | Driving shaft | Spring | Ball Ø 3mm | Ball Ø 1,5mm | Bearing | Pressur spring | Sleeve | Driver | Pin | Crown | |
| Order code | TIV201K | CU68LDN | | | | | | | | | | CU68LDN | | | | | | |
| | | CU68LDNG | | S68SG | M68M | K68SFK | K540486 | VT55K | KTR33 | L68L | SIV046.11 | SIV046.12 | CU68LDNG | SIV046.20 | SIV046.21 | SIV046.23 | SIV046.22 | 1009TM8381 |

| 1.1 - 1.2 - 8 | | | | | | |
|---------------|---------------------|-------|-------|---------|-----------------|--------|
| Bearing | Size d.i./d.e/h(mm) | Cage | Balls | Contact | Brand | Type |
| CM512 | 5X8X2 | Steel | Steel | Radial | Myonic | Smooth |
| CM512G | 5X8X2 | Steel | Steel | Radial | GRW | Smooth |
| CU68LDN | 3X7X3 | Steel | Steel | Radial | Tecnomed Italia | Smooth |
| CU68LDNG | 3X7X3 | Steel | Steel | Radial | GRW | Smooth |

| RELATED PRODUCTSS | | | | | |
|---|---|---|---|---|---|
|  |  |  |  |  |  |
| Order code | KIV460 | KIV2011M | IK2015 | CL5.001V | LIV1013 |
| | | | | | Ivory® Silk Oil OL101S |

KaVo® SURGmatic S201L Contra-angle green ring

CONTRA-ANGLES


















VIDEO TUTORIAL



KaVo® SURGmatic S201L

Contra-angle green ring

CONTRA-ANGLES

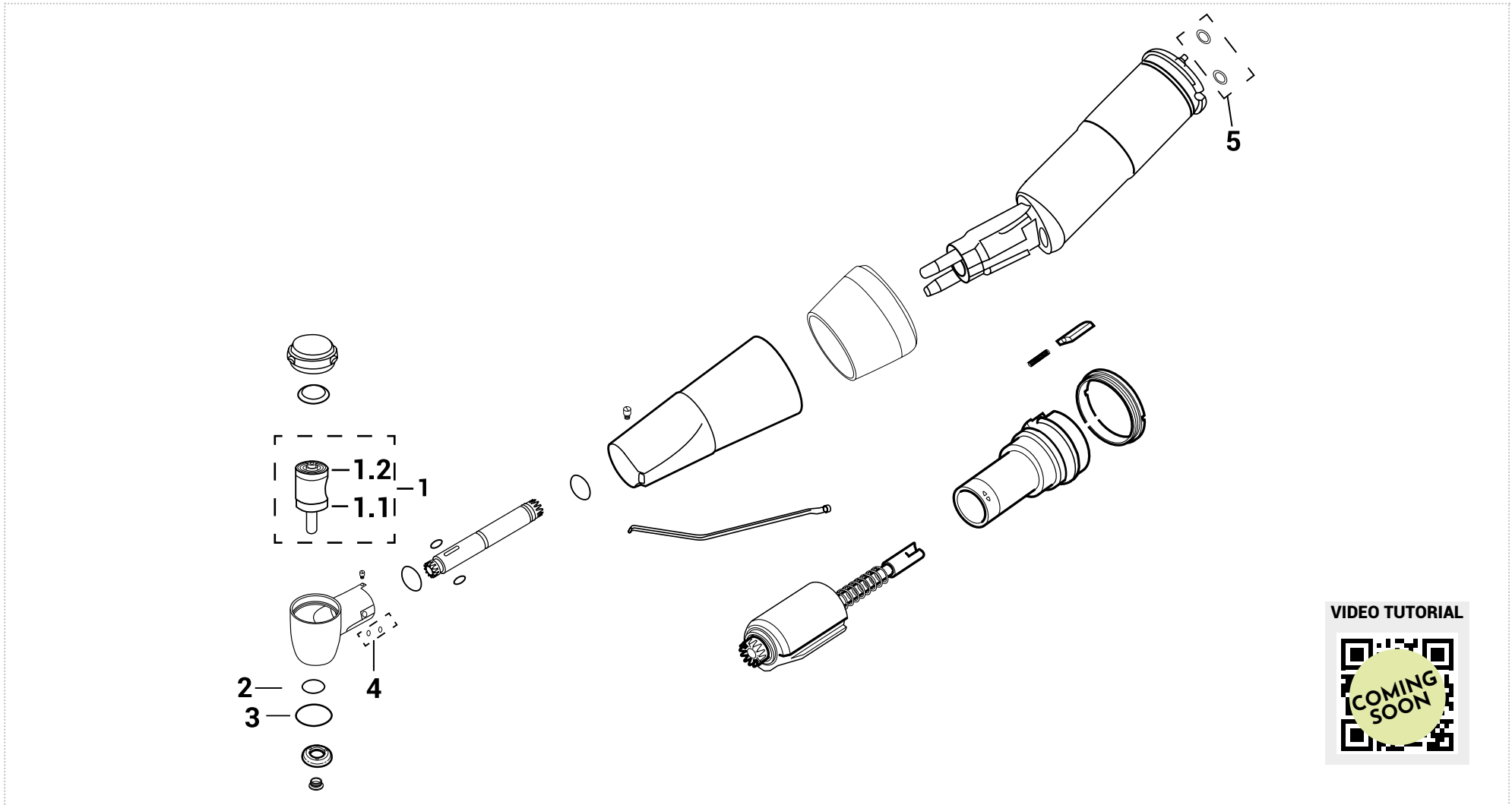
| | | | | | | | | | | | | | | | | |
|---|---|---|---|---|---|--|---|---|---|---|---|---|---|---|---|---|
|  |  |  |  |  |  |  |  |  |  |  |  |  |  |  |  |  |
| 1 | 1.1 | 1.2 | 1.3 | 1.4 | 2 | 3 | 4 | 5 | 6 | 7 | 8 | 9 | 10 | 11 | 12 | 13 |
| Complete rotor | Bearing type (burs side) | Bearing type (push side) | Wire ring | Slide | Push button | Screw | Driving shaft | Spring | Ball Ø 3mm | Ball Ø 1,5mm | Bearing | Pressur spring | Sleeve | Driver | Pin | Crown |
| Order code | K10N4490 | CU68LH | M68M | K68SFK | K540486 | VT55K | KTR33 | L68L | SIV046.11 | SIV046.12 | CU68LDN | SIV046.20 | SIV046.21 | SIV046.23 | SIV046.22 | 1009TM8381 |
| | | CM512 | | | | | | | | | CU68LDNG | | | | | |

| 1.1 - 1.2 - 8 | | | | | | |
|----------------|---------------------------|-------------|--------------|----------------|-----------------|-------------|
| Bearing | Size d.i/d.e/h(mm) | Cage | Balls | Contact | Brand | Type |
| CU68LH | 3X7X2,5/3,35 | Steel | Steel | Radial | Myonic | Smooth |
| CM512 | 5X8X2 | Steel | Steel | Radial | Myonic | Smooth |
| CM512G | 5X8X2 | Steel | Steel | Radial | GRW | Smooth |
| CU68LDN | 3X7X3 | Steel | Steel | Radial | Tecnomed Italia | Smooth |
| CU68LDNG | 3X7X3 | Steel | Steel | Radial | GRW | Smooth |








| RELATED PRODUCTSS | | | | | |
|---|---|---|---|---|---|
|  |  |  |  |  |  |
| Back cap & screw key | Key for disassembly ring | Base insert removal tool | Fits for spindles | Fits for angle | Lubrication |
| Order code | KIV460 | KIV2011M | IK2015 | CL5.001V | LIV1013 |
| | | | | | Ivory® Silk Oil OL101S |

KaVo® 24CN/LN Contra-angle red ring

CONTRA-ANGLES



KaVo® 24CN/LN Contra-angle red ring

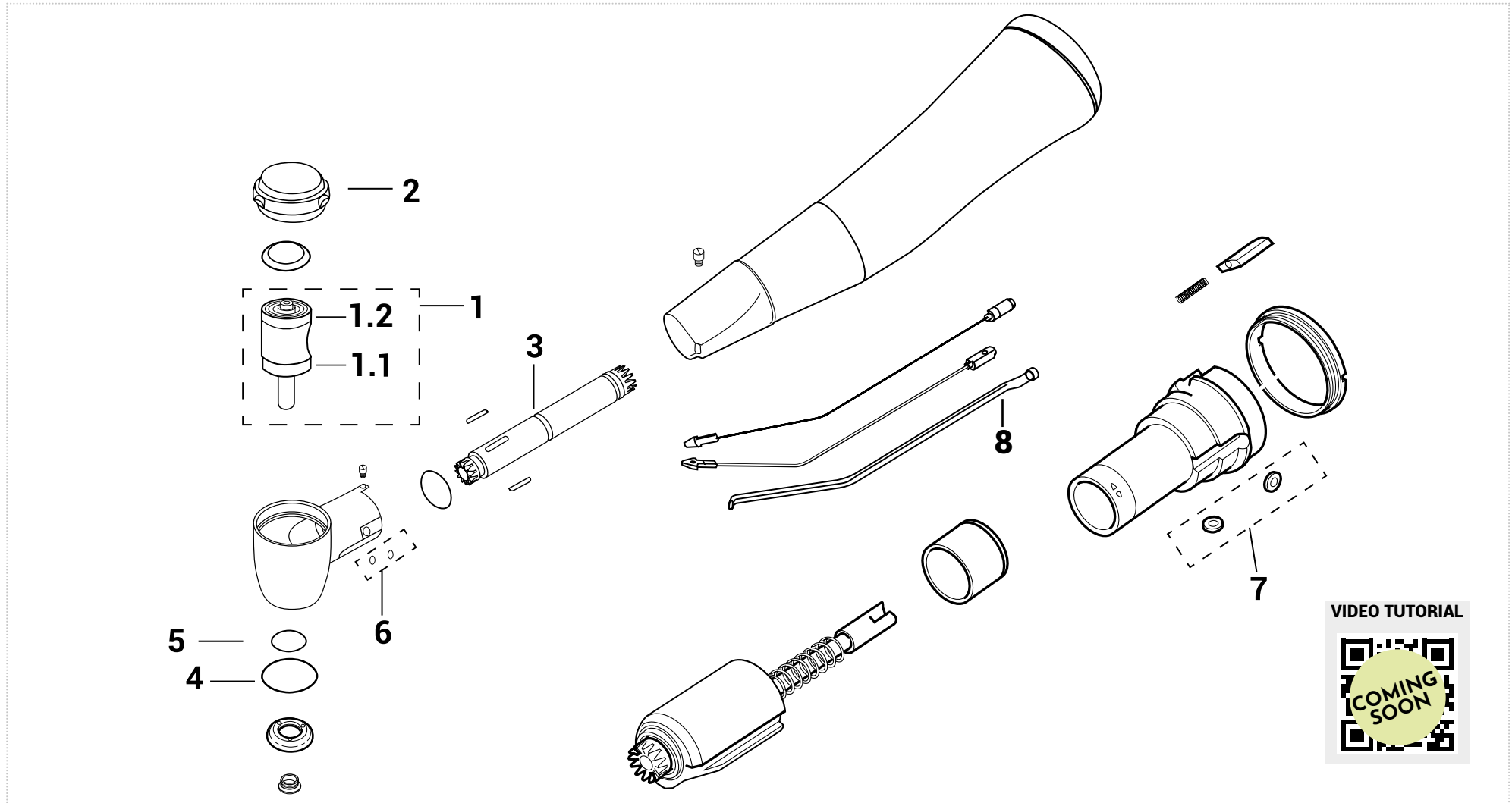
| | | | | | | | |
|------------|---|---|---|---|---|---|---|
| |  |  |  |  |  |  |  |
| | 1 | 1.1 | 1.2 | 2 | 3 | 4 | 5 |
| | Complete rotor | Bearing type (burs side) | Bearing type (push side) | O-ring for spray insert small | O-ring for spray insert big | O-ring body | O-ring head |
| Order code | 553NK5761 | SB200K | SB200K | AVAILABLE ON REQUEST | AVAILABLE ON REQUEST | OIV140 | AVAILABLE ON REQUEST |

| | | | | | | | |
|------------|-----------------------|--------------------|-------|---------|---------|--------|-------|
| | 1.1 - 1.2 200.000 rpm | | | | | | |
| | Bearing | Size d.i/d.e/h(mm) | Cage | Balls | Contact | Brand | Type |
| Order code | SB200K | 4 X 7 X 2 | Steel | Ceramic | Radial | Myonic | Grove |

| | | | | |
|------------|--|--|--|--|
| | RELATED PRODUCTS | | | |
| |  |  |  |  |
| | Push button key | Fits for spindles | Fits for angle | Lubrication |
| Order code | KE25B | LT10144 | LIV1013 | Ivory® Silk Oil OL101S |

KaVo® 25CH/CN/LH/LHC/LHS/LN Contra-angle red ring

CONTRA-ANGLES



KaVo® 25CH/CN/LH/LHC/LHS/LN Contra-angle red ring

CONTRA-ANGLES

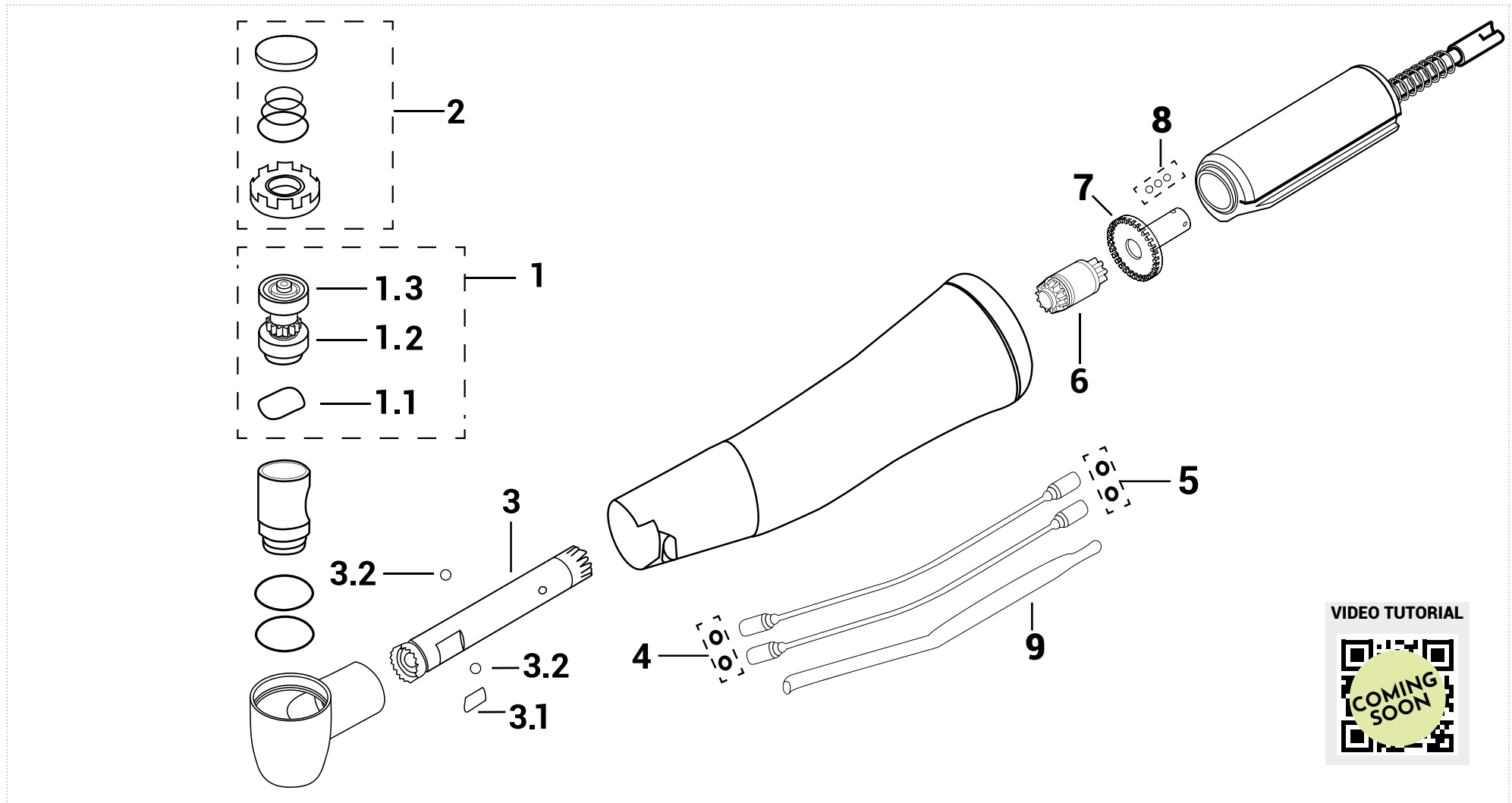
| | | | | | | | | | | |
|------------|---|---|---|---|--|---|---|---|---|---|
| |  |  |  |  |  |  |  |  |  |  |
| | 1 | 1.1 | 1.2 | 2 | 3 | 4 | 5 | 6 | 7 | 8 |
| | Complete rotor | Bearing type (burs side) | Bearing type (push side) | Push button | Driving shaft | O-ring for spray insert big | O-ring for spray insert small | O-ring head | O-ring body | Glass optic road |
| Order code | K5537341 | SB200K | SB200K | PIV025LH | KTR96 | AVAILABLE ON REQUEST | AVAILABLE ON REQUEST | AVAILABLE ON REQUEST | OIV140 | FO30283 |

| 1.1 - 1.2 200.000 rpm | | | | | | | |
|-----------------------|--------------------|-----------|-------|---------|--------|--------|-------|
| Bearing | Size d.i/d.e/h(mm) | Cage | Balls | Contact | Brand | Type | |
| Order code | SB200K | 4 X 7 X 2 | Steel | Ceramic | Radial | Myonic | Grove |

| RELATED PRODUCTS | | | | |
|--|--|--|--|------------------------|
|  |  |  |  | |
| Push button key | Fits for spindles | Fits for angle | Lubrication | |
| Order code | KIV0025B | CL5.001V | LIV1013 | Ivory® Silk Oil OL101S |

KaVo® 25LP - 25LPA - 25LPR Contra-angle red ring

CONTRA-ANGLES

















VIDEO TUTORIAL



KaVo® 25LP - 25LPA - 25LPR Contra-angle red ring

CONTRA-ANGLES

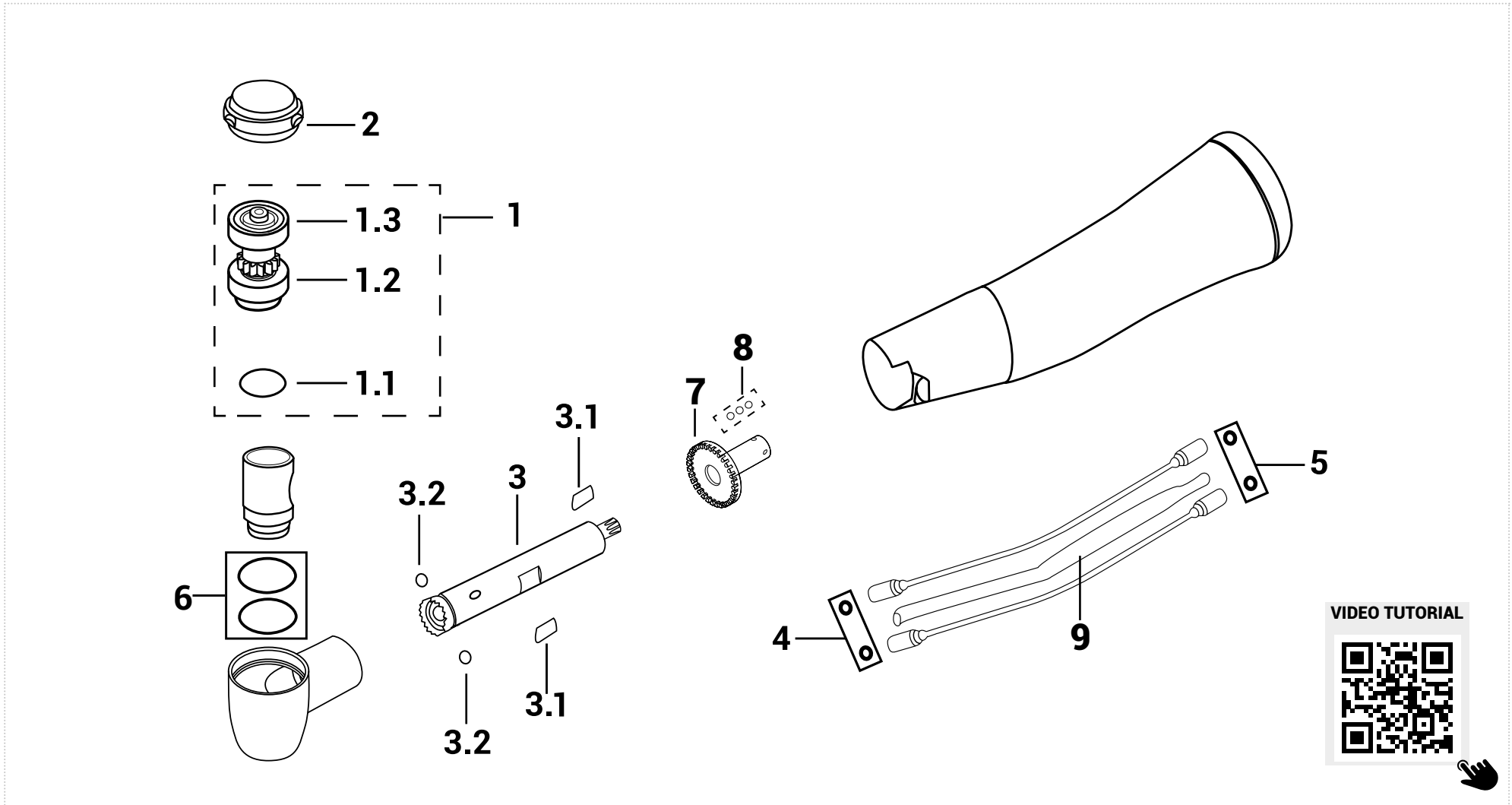
| | | | | | | | | | | | | | | |
|---|---|---|---|---|--|---|---|---|---|---|---|---|---|---------|
|  |  |  |  |  |  |  |  |  |  |  |  |  |  | |
| 1 | 1.1 | 1.2 | 1.3 | 2 | 3 | 3.1 | 3.2 | 4 | 5 | 6 | 7 | 8 | 9 | |
| Complete rotor | Spring washer | Bearing type (burs side) | Bearing type (push side) | Push button | Driving shaft | Reed | Balls | O-ring water superior | O-ring water inferior | Idler Shaft | Balls | Drive gear | Glass optic road | |
| Order code | K10013520 | SA300F | SB25LP | SB200K | PIVK25P | KTR3515 | L68L | 257TM4013 | 1001TM3289 | AVAILABLE ON REQUEST OIV0140* (for 25LPA) | 1001TM3519 | 257TM4007 | 1001TM3071 | FO13320 |

| 1.2 - 1.3 200.000 rpm | | | | | | | |
|-----------------------|----------------|-----------------------------|-------------|--------------|----------------|--------------|-------------|
| Order code | Bearing | Size d.i./d.e/h(mm) | Cage | Balls | Contact | Brand | Type |
| | SB225LP | 3,175 X 6,350 X 2,380/2,779 | Steel | Ceramic | Radial | Myonic | Grove |
| | SB200K | 4 X 7 X 2 | Steel | Ceramic | Radial | Myonic | Grove |

| RELATED PRODUCTS | | | | | |
|---|---|---|---|---|------------------------|
|  |  |  |  |  | |
| Push button key | Back cap key | Fits for spindles | Fits for angle | Lubrication | |
| Order code | KIV2025LP | KIV1025LP | CL5.001V | LIV1013 | Ivory® Silk Oil OL101S |















KaVo® E25L Contra-angle red ring

CONTRA-ANGLES



KaVo® E25L Contra-angle red ring

CONTRA-ANGLES

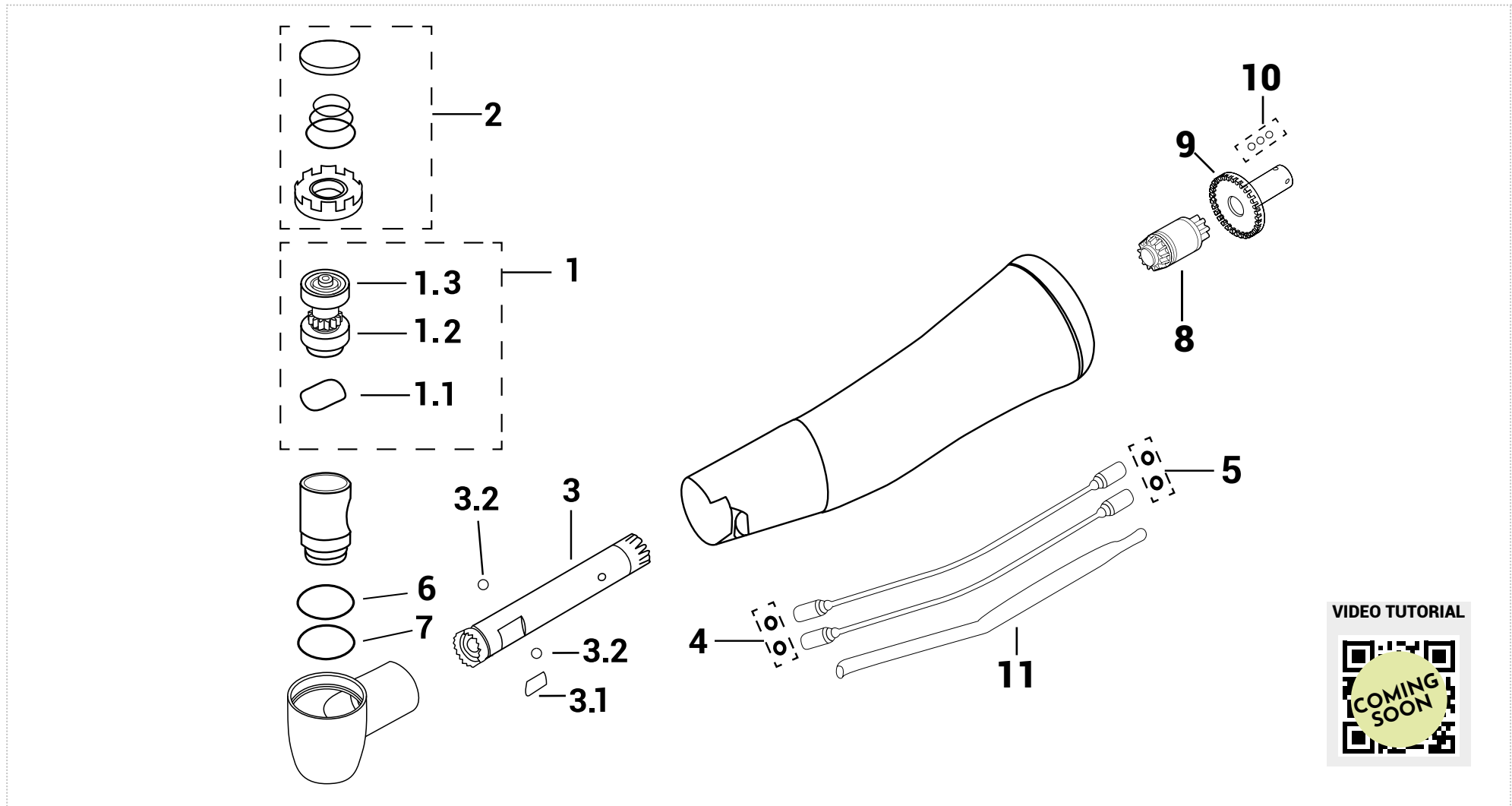
| | | | | | | | | | | | | | |
|---|---|---|---|---|---|---|---|---|---|---|---|---|---|
|  |  |  |  |  |  |  |  |  |  |  |  |  |  |
| 1 | 1.1 | 1.2 | 1.3 | 2 | 3 | 3.1 | 3.2 | 4 | 5 | 6 | 7 | 8 | 9 |
| Complete rotor | Spring washer | Bearing type (burs side) | Bearing type (push side) | Push button | Driving shaft | Plate | Balls | O-ring water superior | O-ring water inferior | O-ring CARTRIDGE | Balls | Drive gear | Glass optic road |
| 1008TM4040 | SA300F | SB25EL | SB25ELR | PIVK25E | KTRE25L | L68L | 257TM4013 | 1001TM3289 | AVAILABLE ON REQUEST | 1005TM792 | 257TM4007 | 1007TM5555 | F075572 |

| 1.2 - 1.3 | | | | | | |
|-----------|--------------------------|-------|---------|---------|-----------------|--------|
| Bearing | Size d.i./d.e/h(mm) | Cage | Balls | Contact | Brand | Type |
| SB25EL | 3,175 X 6,350 X 1,9/2,78 | Steel | Ceramic | Radial | Tecnomed Italia | Grove |
| SB25ELR | 4 X 7 X 2/1,55 | Steel | Ceramic | Radial | Tecnomed Italia | Smooth |

| RELATED PRODUCTS | | | |
|--|--|---|--|
|  |  |  |  |
| Push button key | Fits for spindles | Fits for angle | Lubrication |
| Order code KIV19LEW | CL5.001V | LIV1013 | Ivory® Silk Oil OL101S |

KaVo® M25L Contra-angle red ring

CONTRA-ANGLES


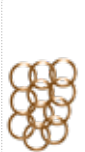










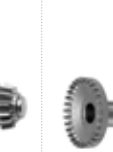





VIDEO TUTORIAL






KaVo® M25L Contra-angle red ring

CONTRA-ANGLES

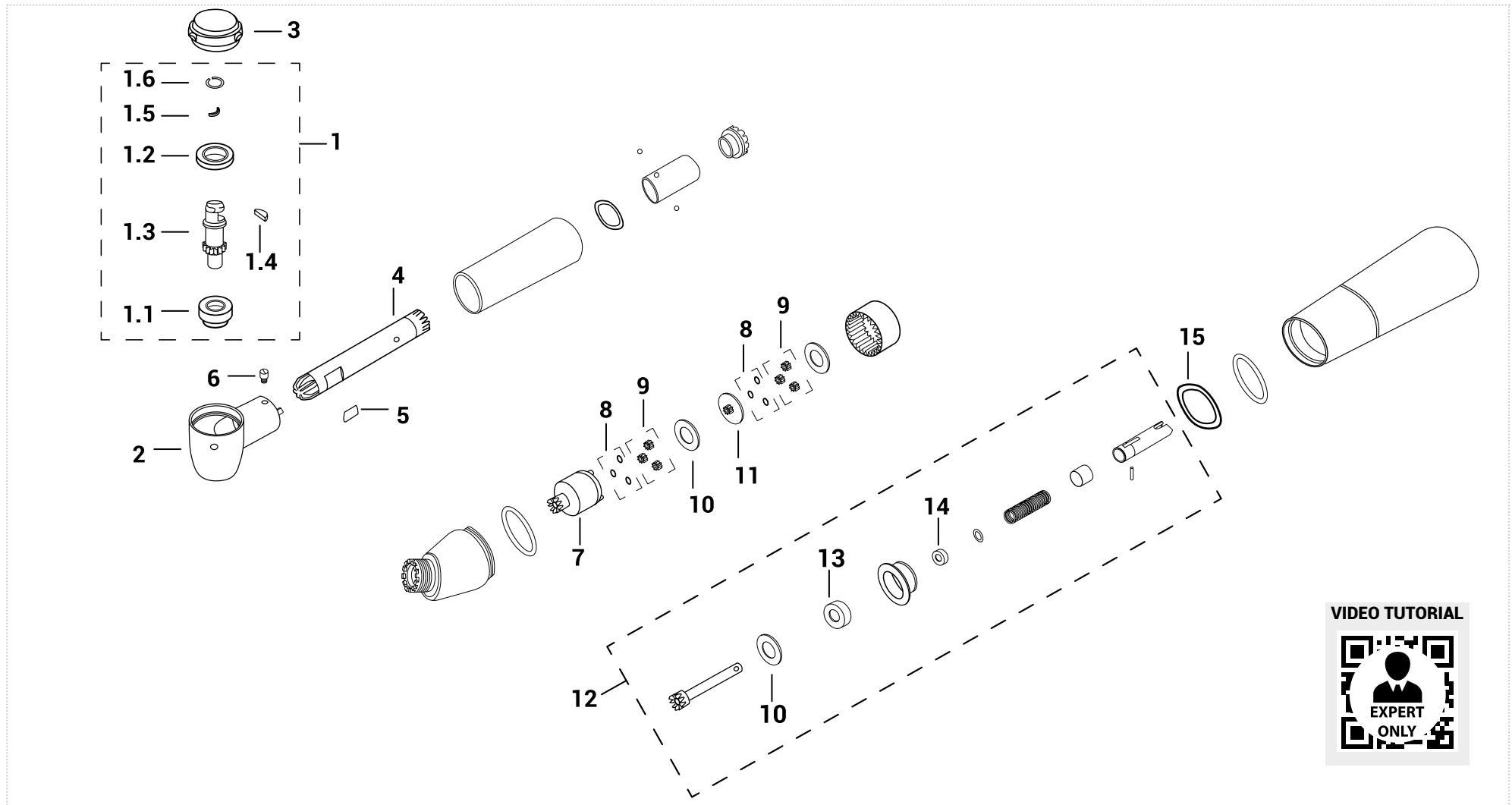
| | | | | | | | | | | | | | | | | |
|---|---|---|---|---|---|--|---|---|---|---|---|---|---|---|---|---------|
|  |  |  |  |  |  |  |  |  |  |  |  |  |  |  |  | |
| 1 | 1.1 | 1.2 | 1.3 | 2 | 3 | 3.1 | 3.2 | 4 | 5 | 6 | 7 | 8 | 9 | 10 | 11 | |
| Complete rotor | Spring washer | Bearing type (burs side) | Bearing type (push side) | Push button | Driving shaft | Plate | Balls | O-ring water superior | O-ring water inferior | Rear o-ring cartridge | Front o-ring cartridge | Idler Shaft | Drive gear | Balls | Glass optic road | |
| Order code | 1011TM0129 | SA300F | SB25MF | SB25MR | PIVK25E | KTR3515 | L68L | 257TM4013 | 1001TM3289 | AVAILABLE ON REQUEST | 1005TM792 | AVAILABLE ON REQUEST | 1001TM3519 | 1007TM3071 | 257TM4007 | FO13320 |

| 1.2 - 1.3 | | | | | | |
|-----------|---------------------|-------|---------|---------|-----------------|--------|
| Bearing | Size d.i./d.e/h(mm) | Cage | Balls | Contact | Brand | Type |
| SB25MF | 5,8 X 2,380 X 2,28 | Steel | Ceramic | Radial | Tecnomed Italia | Smooth |
| SB25MR | 3,5 X 6,5 X 2 | Steel | Ceramic | Radial | Tecnomed Italia | Smooth |

| RELATED PRODUCTS | | | | | |
|---|--|---|---|--|------------------------|
|  |  |  |  |  | |
| Push button key | Back cap key | Fits for spindles | Fits for angle | Lubrication | |
| Order code | KIV2025LP | KIV1025LP | CL5.001V | LIV1013 | Ivory® Silk Oil OL101S |

Ivory® SL116C 16 : 1 Contra-angle - Green ring













CONTRA-ANGLES



Ivory® SL116C

16 : 1 Contra-angle - Green ring

CONTRA-ANGLES

| | | | | | | | | | | | | |
|---|---|---|---|---|--|---|---|---|---|---|---|-------|
|  |  |  |  |  |  |  |  |  |  |  |  | |
| 1 | 1.1 | 1.2 | 1.3 | 1.4 | 1.5 | 1.6 | 2 | 3 | 4 | 5 | 6 | |
| Complete rotor | Bearing type (burs side) | Bearing type (push side) | Rotor without bearing | Segment | Slide | Wire Ring | Head | Push button | Driving shaft | Spring | Screw | |
| Order code | K5403661 | CU68LH | CU68PK | K54N3661 | S68SG | K68SFK | M68M | K543631 | SL6.001K | KTR68 | L68L | VT55K |

| | | | | | | | | |
|---|---|---|---|---|--|---|---|---|
|  |  |  |  |  |  |  |  |  |
| 7 | 8 | 9 | 10 | 11 | 12 | 13 | 14 | 15 |
| Crown | Gear spacer | Gear for terminal | Space washer | Intermediate gear | Driving shaft | Bearing | Bearing | Spring washer |
| SIV011.7 | SIV011.8 | SIV011.9 | SIV011.10 | SIV011.11 | SIV011.13 | CM263B | CM227 | SIV011.20 |

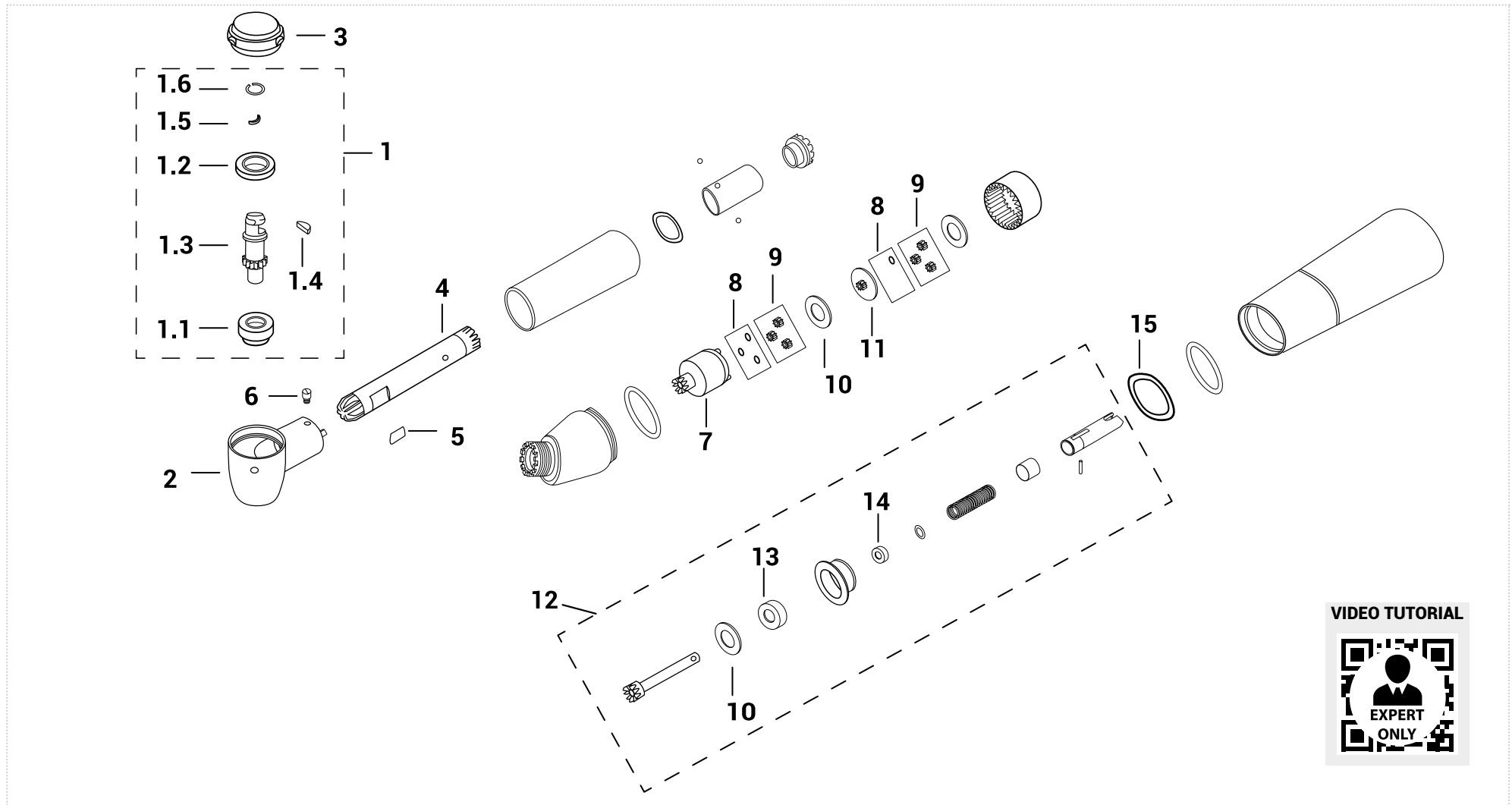
| 1.1 - 1.2 - 13 - 14 | | | | | | | |
|---------------------|---------|-----------------------|-------|-------|---------|-----------------|--------|
| Order code | Bearing | Size d.i/d.e/h(mm) | Cage | Balls | Contact | Brand | Type |
| | CU68LH | 3 X 7 X 2.5/3.35 | Steel | Steel | Radial | Myonic | Smooth |
| | CU68PK | 4 X 7 X 2 | Steel | Steel | Radial | Myonic | Smooth |
| | CM263B | 2,380 X 7,938 X 3,571 | Steel | Steel | Radial | Tecnomed Italia | Smooth |
| | CM277 | 2,380 X 4,736 X 1,588 | Steel | Steel | Radial | Tecnomed Italia | Smooth |

| RELATED PRODUCTSS | | | |
|---|---|---|---|
|  |  |  |  |
| Back cap & screw key | Fits for spindles | Fits for angle | Lubrication |
| Order code | KIV460 | CL5.001V | LIV1013 |
| | | | Ivory® Silk Oil OL101S |

Ivory® SL132C

32 : 1 Contra-angle - Green ring













CONTRA-ANGLES



Ivory® SL132C

32 : 1 Contra-angle - Green ring

CONTRA-ANGLES

| | | | | | | | | | | | |
|---|---|---|---|---|--|---|---|---|---|---|---|
|  |  |  |  |  |  |  |  |  |  |  |  |
| 1 | 1.1 | 1.2 | 1.3 | 1.4 | 1.5 | 1.6 | 2 | 3 | 4 | 5 | 6 |
| Complete rotor | Bearing type (burs side) | Bearing type (push side) | Rotor without bearing | Segment | Slide | Wire Ring | Head | Push button | Driving shaft | Spring | Screw |
| Order code | | | | | | | | | | | |
| K5403231 | CU68LH | CU68PK | K54N3231 | S68SG | K68SFK | M68M | SP2101 | SL6.001K | KTR67 | L68L | VT55K |

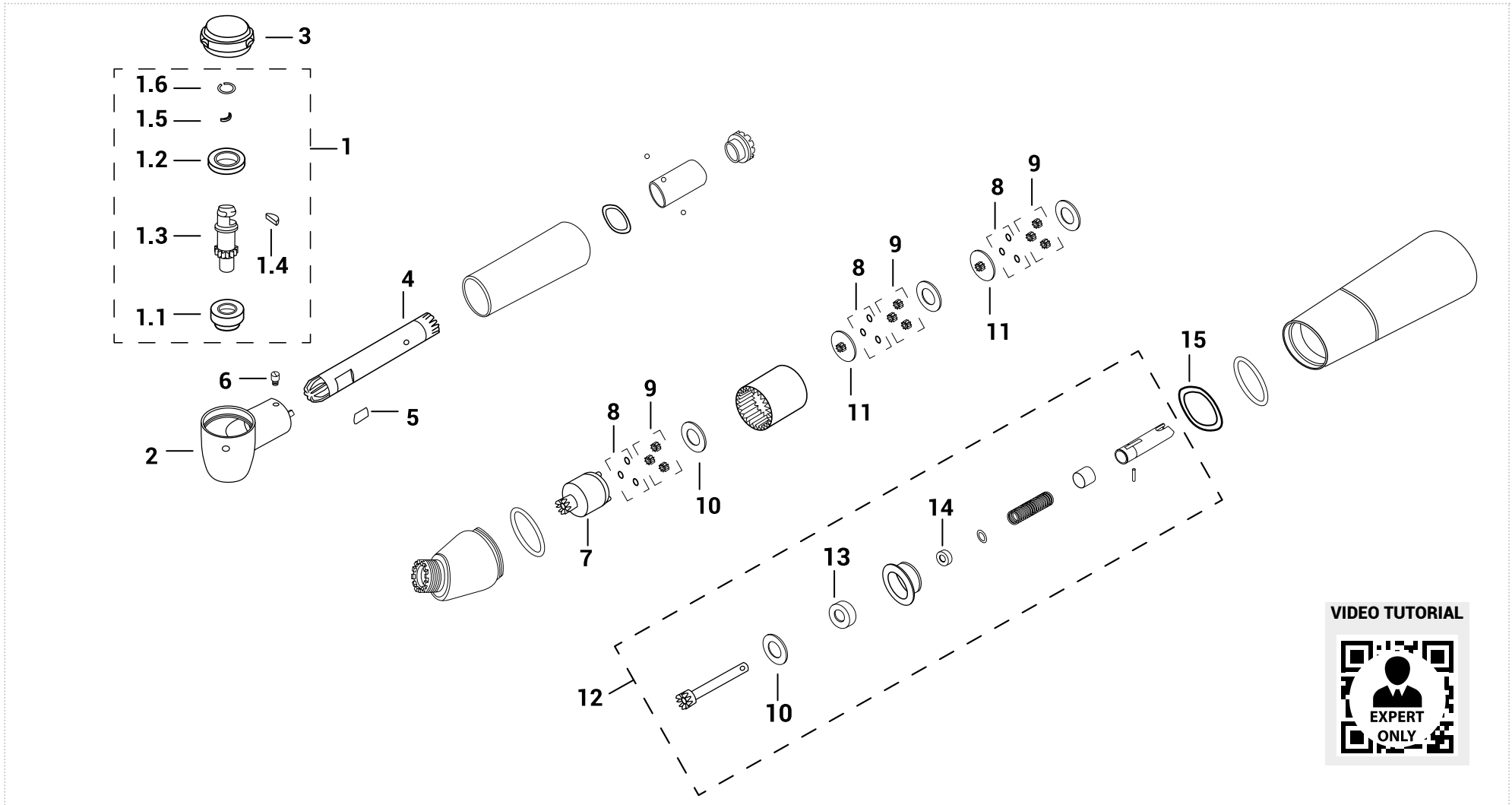
| | | | | | | | | |
|---|---|---|---|---|--|---|---|---|
|  |  |  |  |  |  |  |  |  |
| 7 | 8 | 9 | 10 | 11 | 12 | 13 | 14 | 15 |
| Crown | Gear spacer | Gear for terminal | Space washer | Intermediate gear | Driving shaft | Bearing | Bearing | Spring washer |
| SIV011.7 | SIV011.8 | SIV011.9 | SIV011.10 | SIV011.11 | SIV011.13 | CM263B | CM227 | SIV011.20 |

| 1.1 - 1.2 - 13 - 14 | | | | | | |
|---------------------|-----------------------|-------|-------|---------|-----------------|--------|
| Bearing | Size d.i./d.e/h(mm) | Cage | Balls | Contact | Brand | Type |
| CU68LH | 3 X 7 X 2.5/3.35 | Steel | Steel | Radial | Myonic | Smooth |
| CU68PK | 4 X 7 X 2 | Steel | Steel | Radial | Myonic | Smooth |
| CM263B | 2,380 X 7,938 X 3,571 | Steel | Steel | Radial | Tecnomed Italia | Smooth |
| CM277 | 2,380 X 4,736 X 1,588 | Steel | Steel | Radial | Tecnomed Italia | Smooth |

| RELATED PRODUCTSS | | | |
|---|---|---|---|
|  |  |  |  |
| Back cap & screw key | Fits for spindles | Fits for angle | Lubrication |
| Order code | KIV460 | CL5.001V | LIV1013 |
| | | | Ivory® Silk Oil OL101S |

Ivory® SL164C 64 : 1 Contra-angle - Green ring













CONTRA-ANGLES



Ivory® SL164C

64 : 1 Contra-angle - Green ring

CONTRA-ANGLES

| | | | | | | | | | | | | |
|---|---|---|---|---|--|---|---|---|---|---|---|-------|
|  |  |  |  |  |  |  |  |  |  |  |  | |
| 1 | 1.1 | 1.2 | 1.3 | 1.4 | 1.5 | 1.6 | 2 | 3 | 4 | 5 | 6 | |
| Complete rotor | Bearing type (burs side) | Bearing type (push side) | Rotor without bearing | Segment | Slide | Wire Ring | Head | Push button | Driving shaft | Spring | Screw | |
| Order code | K5403661 | CU68LH | CU68PK | K54N3661 | S68SG | K68SFK | M68M | K543631 | SL6.001K | KTR68 | L68L | VT55K |

| | | | | | | | | |
|---|---|---|---|---|--|---|---|---|
|  |  |  |  |  |  |  |  |  |
| 7 | 8 | 9 | 10 | 11 | 12 | 13 | 14 | 15 |
| Crown | Gear spacer | Gear for terminal | Space washer | Intermediate gear | Driving shaft | Bearing | Bearing | Spring washer |
| SIV011.7 | SIV011.8 | SIV011.9 | SIV011.10 | SIV011.11 | SIV011.13 | CM263B | CM227 | SIV011.20 |

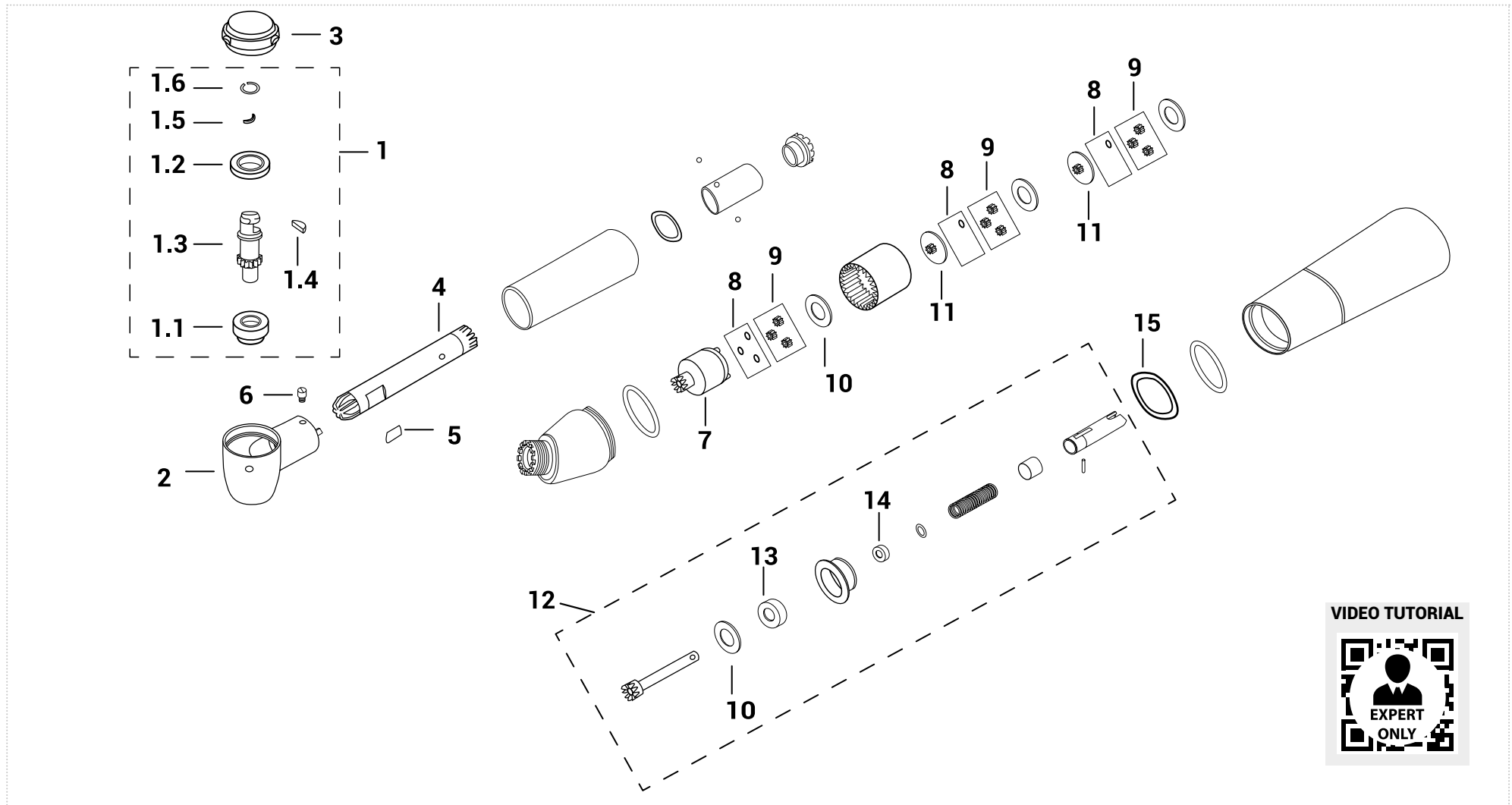
| 1.1 - 1.2 - 13 - 14 | | | | | | | |
|---------------------|---------|-----------------------|-------|-------|---------|-----------------|--------|
| Order code | Bearing | Size d.i/d.e/h(mm) | Cage | Balls | Contact | Brand | Type |
| | CU68LH | 3 X 7 X 2.5/3.35 | Steel | Steel | Radial | Myonic | Smooth |
| | CU68PK | 4 X 7 X 2 | Steel | Steel | Radial | Myonic | Smooth |
| | CM263B | 2,380 X 7,938 X 3,571 | Steel | Steel | Radial | Tecnomed Italia | Smooth |
| | CM277 | 2,380 X 4,736 X 1,588 | Steel | Steel | Radial | Tecnomed Italia | Smooth |

| RELATED PRODUCTSS | | | |
|---|---|---|---|
|  |  |  |  |
| Back cap & screw key | Fits for spindles | Fits for angle | Lubrication |
| Order code | KIV460 | CL5.001V | LIV1013 |
| | | | Ivory® Silk Oil OL101S |

Ivory® SL1128C

128 : 1 Contra-angle - Green ring













CONTRA-ANGLES



Ivory® SL1128C


128 : 1 Contra-angle - Green ring

CONTRA-ANGLES

| | | | | | | | | | | | |
|---|---|---|---|---|--|---|---|---|---|---|---|
|  |  |  |  |  |  |  |  |  |  |  |  |
| 1 | 1.1 | 1.2 | 1.3 | 1.4 | 1.5 | 1.6 | 2 | 3 | 4 | 5 | 6 |
| Complete rotor | Bearing type (burs side) | Bearing type (push side) | Rotor without bearing | Segment | Slide | Wire Ring | Head | Push button | Driving shaft | Spring | Screw |
| Order code | | | | | | | | | | | |
| K5403231 | CU68LH | CU68PK | K54N3231 | S68SG | K68SFK | M68M | SP2101 | SL6.001K | KTR67 | L68L | VT55K |

| | | | | | | | | |
|---|---|---|---|---|--|---|---|---|
|  |  |  |  |  |  |  |  |  |
| 7 | 8 | 9 | 10 | 11 | 12 | 13 | 14 | 15 |
| Crown | Gear spacer | Gear for terminal | Space washer | Intermediate gear | Driving shaft | Bearing | Bearing | Spring washer |
| SIV011.7 | SIV011.8 | SIV011.9 | SIV011.10 | SIV011.11 | SIV011.13 | CM263B | CM227 | SIV011.20 |

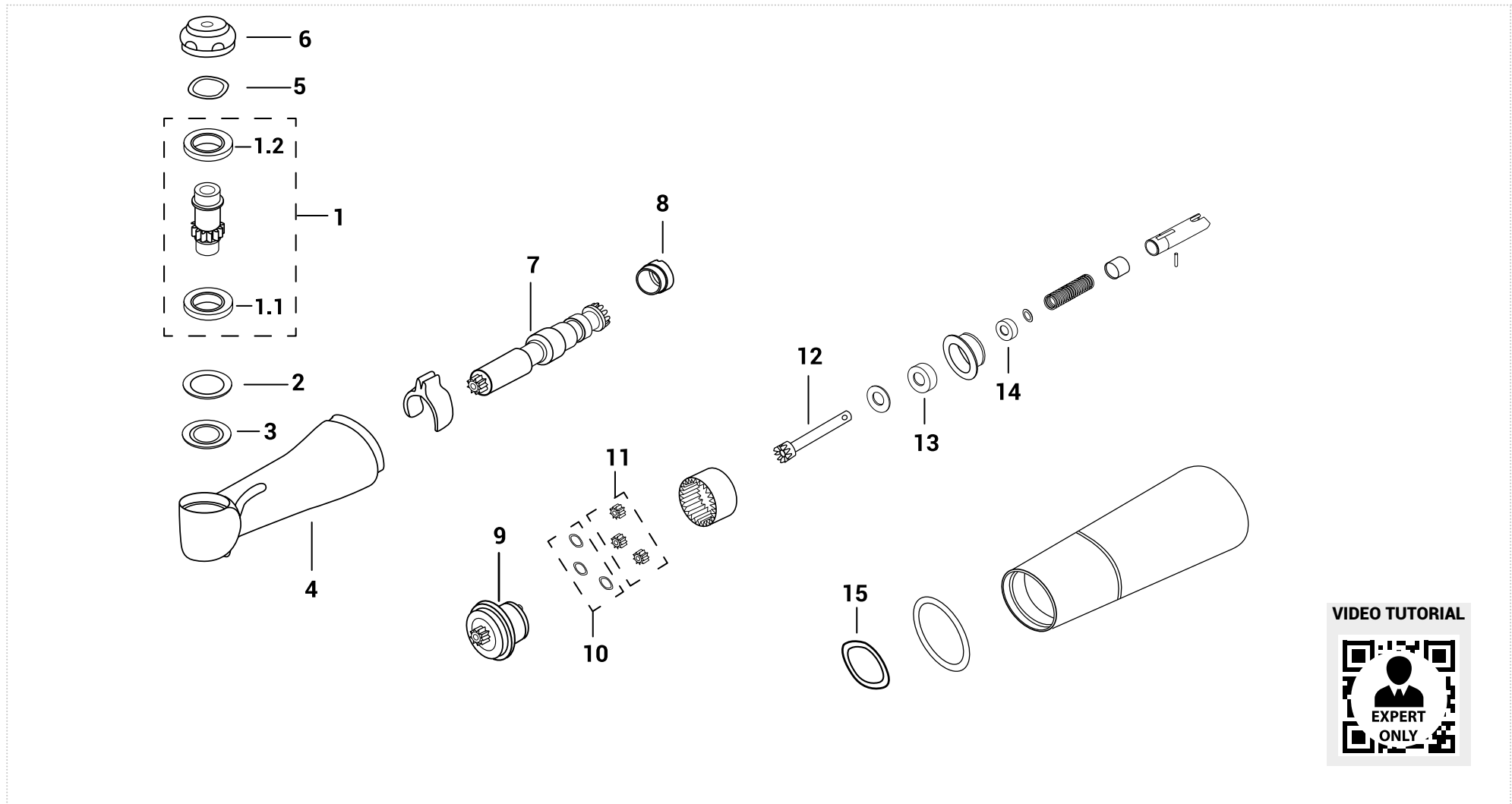
| 1.1 - 1.2 - 13 - 14 | | | | | | |
|---------------------|---------|-----------------------|-------|-------|---------|------------------------|
| Order code | Bearing | Size d.i./d.e/h(mm) | Cage | Balls | Contact | Type |
| | CU68LH | 3 X 7 X 2.5/3.35 | Steel | Steel | Radial | Myonic Smooth |
| | CU68PK | 4 X 7 X 2 | Steel | Steel | Radial | Myonic Smooth |
| | CM263B | 2,380 X 7,938 X 3,571 | Steel | Steel | Radial | Tecnomed Italia Smooth |
| | CM277 | 2,380 X 4,736 X 1,588 | Steel | Steel | Radial | Tecnomed Italia Smooth |

| RELATED PRODUCTSS | | | |
|---|---|---|---|
|  |  |  |  |
| Back cap & screw key | Fits for spindles | Fits for angle | Lubrication |
| Order code | KIV460 | CL5.001V | LIV1013 |
| | | | Ivory® Silk Oil OL101S |

Ivory® SL4201C

20 : 1 Contra-angle - Green ring











CONTRA-ANGLES










Ivory® SL4201C



20 : 1 Contra-angle - Green ring

CONTRA-ANGLES

| | | | | | | | | | |
|---|---|---|---|---|--|---|---|---|---|
|  |  |  |  |  |  |  |  |  |  |
| 1 | 1.1 | 1.2 | 2 | 3 | 4 | 5 | 6 | 7 | 8 |
| Complete rotor | Bearing type (burs side) | Bearing type (push side) | Metal shim | Rubber bushing for rotor | Head housing | Spring washer (push side) | Push button | Driving shaft | Tightening ring nut for driving shaft |
| Order code | | | | | | | | | |
| SIV011.23 | CU68PK | CM512 | DIV0070 | GIV0003 | SIV011.24 | SIV0080 | PIV011.0 | SIV011.25 | SIV011.26 |

| | | | | | | |
|---|---|---|---|--|---|---|
|  |  |  |  |  |  |  |
| 9 | 10 | 11 | 12 | 13 | 14 | 15 |
| Crown | Gear spacer | Gear for terminal | Lower driving shaft | Bearing type (upper transmission) | Bearing type (lower transmission) | Spring washer |
| SIV011.7 | SIV011.8 | SIV011.9 | SIV011.28 | CM263B | CM238 | SIV011.20 |

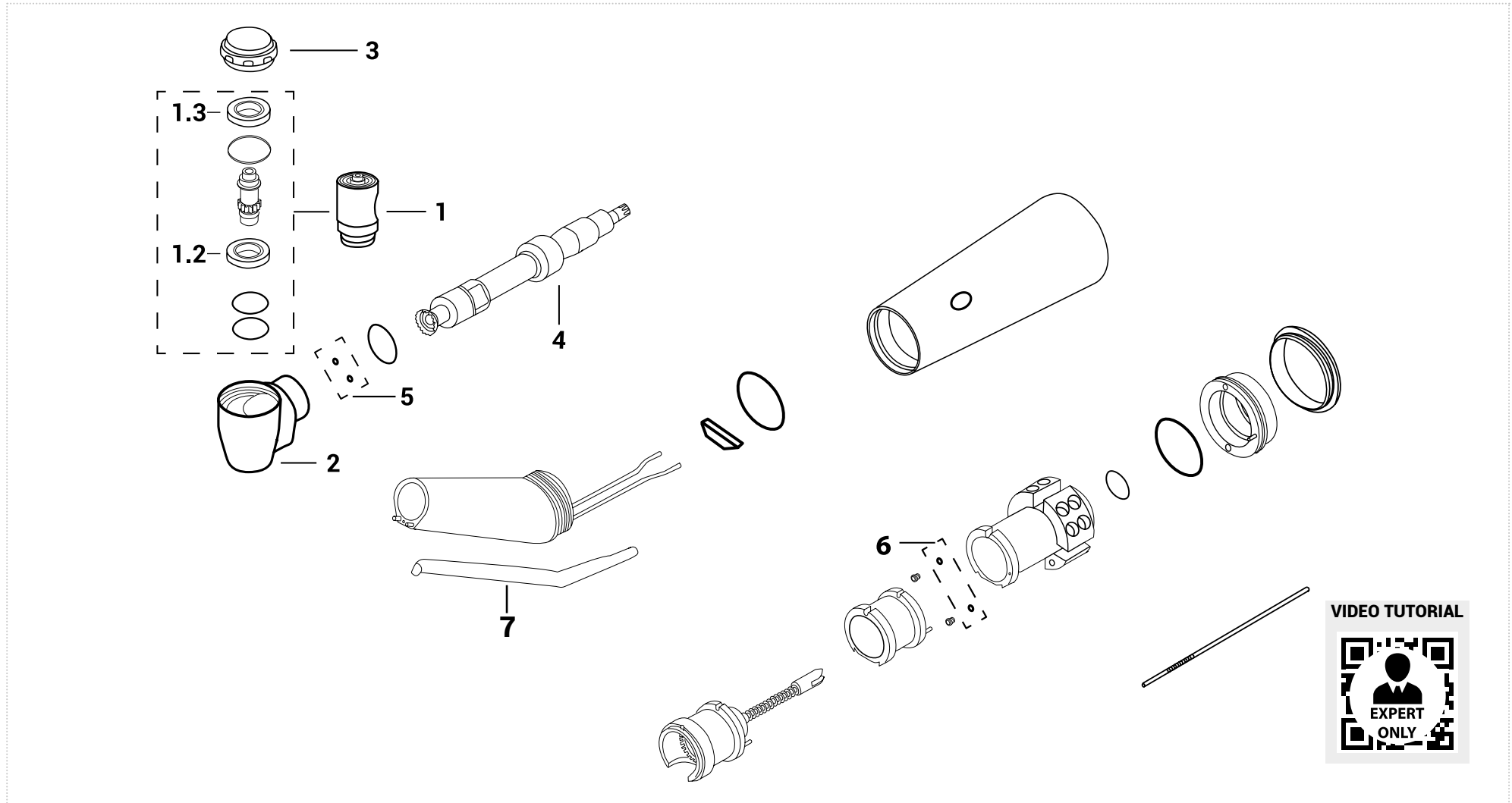
| 1.1 - 1.2 - 13 - 14 | | | | | | |
|---------------------|---------------------------|-------------|--------------|----------------|-----------------|-------------|
| Bearing | Size d.i/d.e/h(mm) | Cage | Balls | Contact | Brand | Type |
| CU68PK | 4 X 7 X 2 | Steel | Steel | Radial | Myonic | Smooth |
| CM512 | 4 X 7 X 2 | Steel | Steel | Radial | Myonic | Smooth |
| CM263B | 2,380 X 7,938 X 3,571 | Steel | Steel | Radial | Tecnomed Italia | Smooth |
| CM238 | 2,380 X 4,736 X 2,380 | Steel | Steel | Radial | Tecnomed Italia | Smooth |

| RELATED PRODUCTS | | | | |
|---|---|---|---|---|
|  |  |  |  |  |
| Push button key | Driving shaft key | Fits for spindles | Fits for angle | Lubrication |
| Order code | | | | |
| IK110 | IK111 | CL5.001V | LIV1013 | Ivory® Silk Oil OL101S |

Ivory® SL415C/L*
1:5 Contra-angle - Red ring

*S/N < 2201000

CONTRA-ANGLES




Ivory® SL415C/L*
1:5 Contra-angle - Red ring

*S/N < 2201000

CONTRA-ANGLES

| | | | | | | | | | |
|---|---|---|---|---|---|---|---|---|----------|
|  |  |  |  |  |  |  |  |  | |
| 1 | 1.1 | 1.2 | 2 | 3 | 4 | 5 | 6 | 7 | |
| Complete rotor | Bearing type (burs side) | Bearing type (push side) | Head housing | Push button | Driving shaft | O-ring head | O-ring body | Glass optic road | |
| Order code | SIV041.1 | SB200W | SB200W | SIV041.2 | PIV041.0 | SIV041.3 | OIV170 | OIV170 | SIV041.4 |

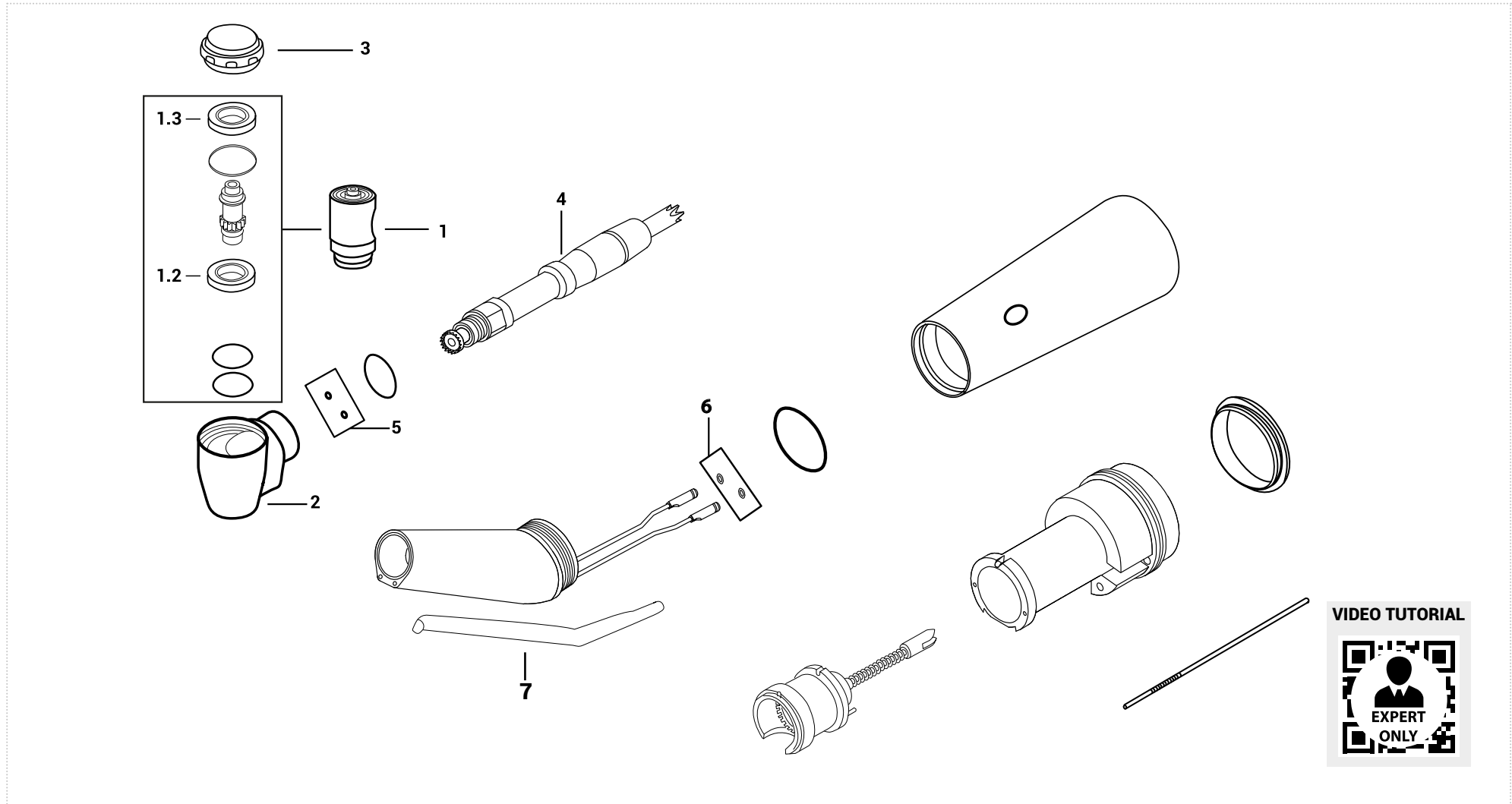
| 1.1 - 1.2 | | | | | | | |
|------------|---------|---------------------|--------|---------|---------|--------|--------|
| Order code | Bearing | Size d.i./d.e/h(mm) | Cage | Balls | Contact | Brand | Type |
| | SB200W | 4 X 7 X 2 | Torlon | Ceramic | Angular | Myonic | Smooth |

| RELATED PRODUCTS | | | | | |
|--|--|--|--|--|------------------------|
|  |  |  |  |  | |
| Push button key | Driving shaft key | Fits for spindles | Fits for angle | Lubrication | |
| Order code | IK452 | Nipper | CL5.001V | LIV1013 | Ivory® Silk Oil OL101S |

Ivory® SL415C/L*
1:5 Contra-angle - Red ring

*S/N > 2201001

CONTRA-ANGLES







Ivory® SL415C/L*
1:5 Contra-angle - Red ring

*S/N > 2201001

CONTRA-ANGLES

| | | | | | | | | |
|---|---|---|---|---|---|---|---|---|
|  |  |  |  |  |  |  |  |  |
| 1 | 1.1 | 1.2 | 2 | 3 | 4 | 5 | 6 | 7 |
| Complete rotor | Bearing type (burs side) | Bearing type (push side) | Head housing | Push button | Driving shaft | O-ring head | O-ring body | Glass optic road |
| SIV045.1 | SB200W | SB200W | SIV045.2 | PIV041.0 | SIV045.3 | OIV170 | OIV189 | SIV041.4 |

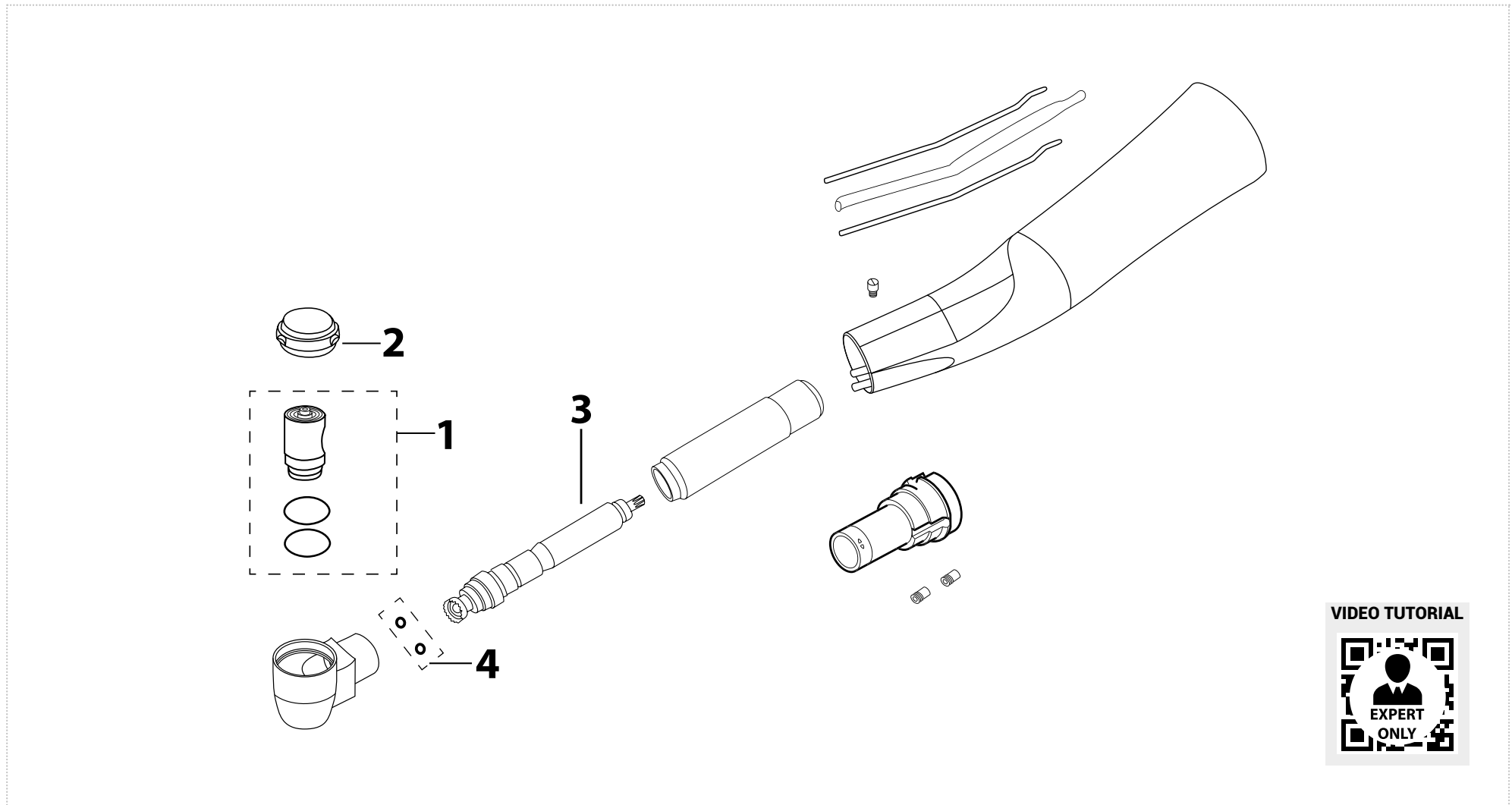
| 1.1 - 1.2 | | | | | | |
|-----------|---------------------|--------|---------|---------|--------|--------|
| Bearing | Size d.i./d.e/h(mm) | Cage | Balls | Contact | Brand | Type |
| SB200W | 4 X 7 X 2 | Torlon | Ceramic | Angular | Myonic | Smooth |

| RELATED PRODUCTS | | | | |
|--|--|--|--|--|
|  |  |  |  |  |
| Push button key | Driving shaft key | Fits for spindles | Fits for angle | Lubrication |
| IK452 | Nipper | CL5.001V | LIV1013 | Ivory® Silk Oil OL101S |

Mk-Dent® LS2115L

1 : 5 Contra-angle - Red ring







CONTRA-ANGLES



Mk-Dent® LS2115L

1 : 5 Contra-angle - Red ring

CONTRA-ANGLES

| | | | | | | |
|------------|---|---|---|---|---|---|
| |  |  |  |  |  |  |
| | 1 | 1.1 | 1.2 | 2 | 3 | 4 |
| | Complete rotor | Bearing type (burs side) | Bearing type (push side) | Push button | Driving shaft | O-ring head |
| Order code | C600C015003 | SB200W | SB200W | 1000TM0664 | NOT AVAILABLE | NOT AVAILABLE |

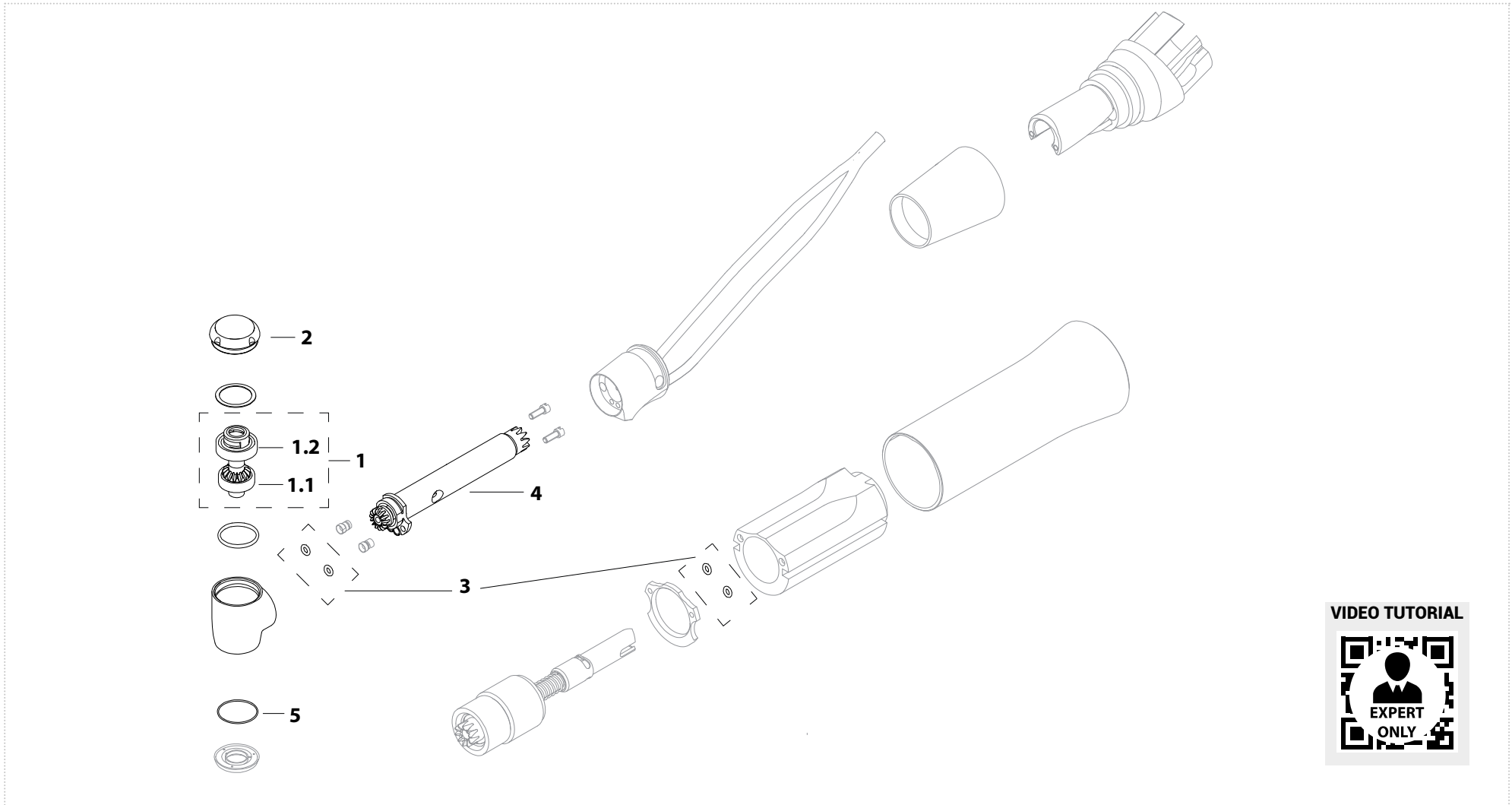
| 1.1 - 1.2 | | | | | | | |
|------------|---------|---------------------|--------|---------|---------|--------|--------|
| Order code | Bearing | Size d.i./d.e/h(mm) | Cage | Balls | Contact | Brand | Type |
| | SB200W | 4 X 7 X 2 | Torlon | Ceramic | Angular | Myonic | Smooth |

| RELATED PRODUCTS | | | | | |
|--|--|--|--|--|------------------------|
|  |  |  |  |  | |
| Push button key | Base insert removal tool | Fits for spindles | Fits for angle | Lubrication | |
| Order code | KIV2011M | IK2015 | CL5.001V | LIV1013 | Ivory® Silk Oil OL101S |

Bien-Air® CA 1:1 L / Diamline Contra-angle blue ring

*Valid from S.N. 07E0001

CONTRA-ANGLES










VIDEO TUTORIAL



Bien-Air® CA 1:1 L / Diamline - Contra-angle blue ring

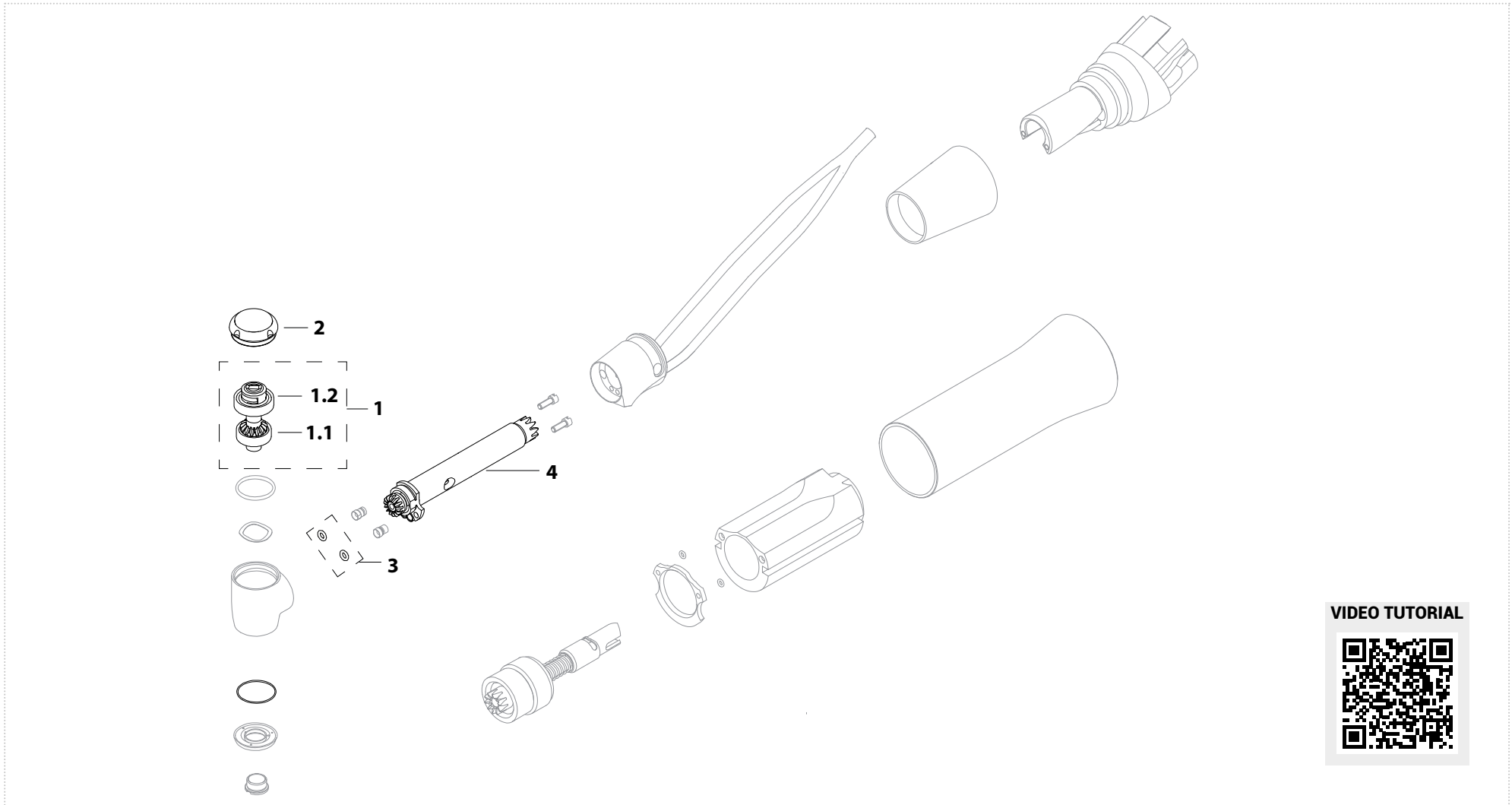
*Valid from S.N. 07E0001

CONTRA-ANGLES

| | | | | | | |
|---|---|---|---|---|---|---|
|  |  |  |  |  |  |  |
| 1 | 1.1 | 1.2 | 2 | 3 | 4 | 5 |
| Complete rotor | Bearing type (burs side) | Bearing type (push side) | Push button | O-ring head and body | Driving shaft | O-ring cover spray |
| Order code | CU68PK | CM512 | 150TM0150 | 705TM0246 | 150TM1083 | 7050267 |
| | CU68PKG | CM512G | | | | |

| 1.1 - 1.2 | | | | | | | |
|----------------|---------------------------|-------------|--------------|----------------|--------------|-------------|--|
| Bearing | Size d.i/d.e/h(mm) | Cage | Balls | Contact | Brand | Type | |
| CU68PK | 4 X 7 X 2 | Steel | Steel | Radial | Myonic | Smooth | |
| CU68PKG | 4 X 7 X 2 | Steel | Steel | Radial | Grw | Smooth | |
| CM512 | 5 X 8 X 2 | Steel | Steel | Radial | Myonic | Smooth | |
| CM512G | 5 X 8 X 2 | Steel | Steel | Radial | Grw | Smooth | |

| RELATED PRODUCTS | | | | |
|---|---|---|---|------------------------|
|  |  |  |  | |
| Push button key | Fits for spindles | Fits for angle | Lubrication | |
| Order code | KIV0025B | CL5.001V | LIV1013 | Ivory® Silk Oil OL101S |









VIDEO TUTORIAL






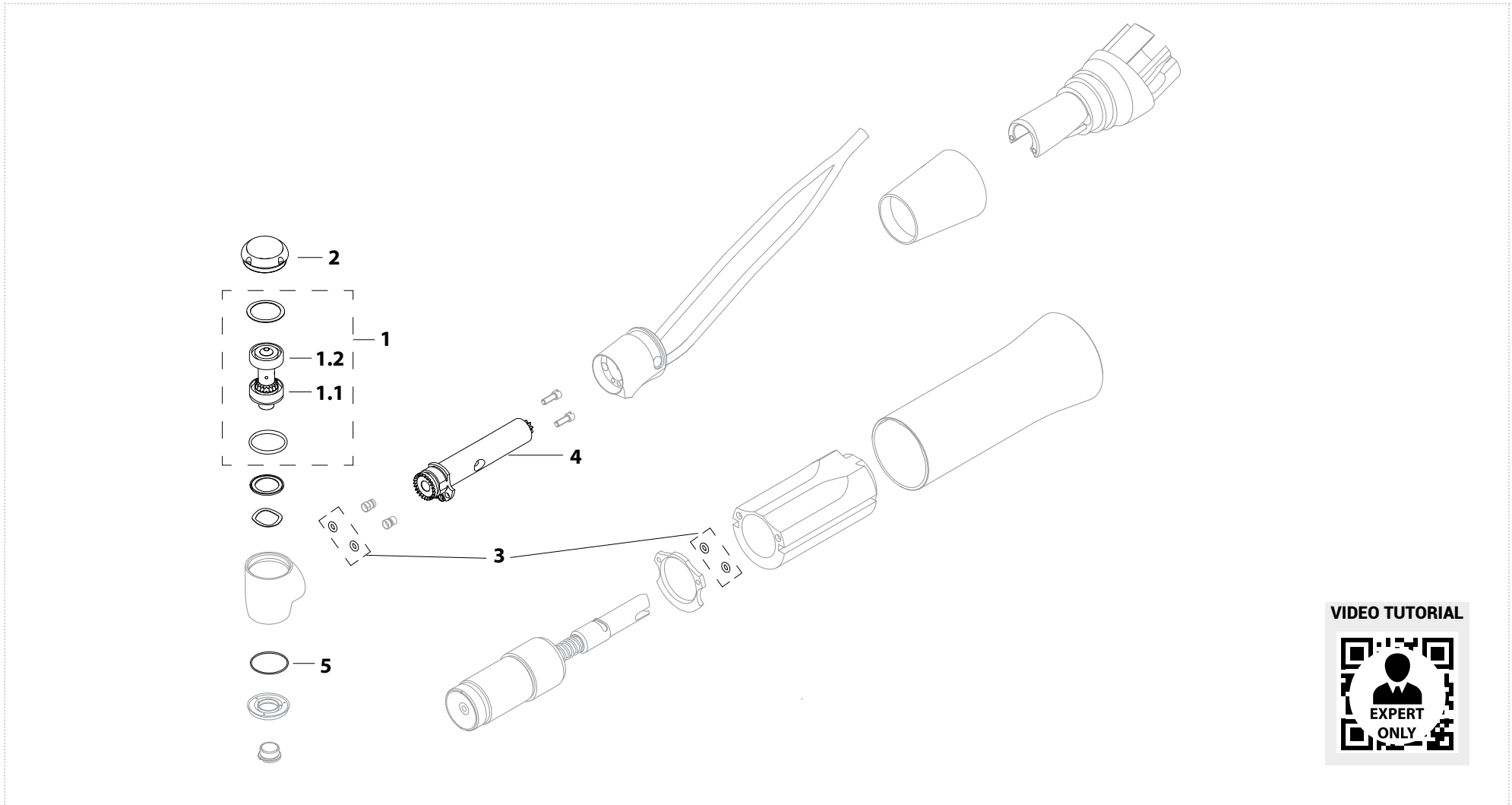
Bien-Air® CA 20:1 L/Diamline - Contra-angle green ring

CONTRA-ANGLES

| | | | | | | |
|-------------------|---|---|---|---|--|---|
| |  |  |  |  |  |  |
| | 1 | 1.1 | 1.2 | 2 | 3 | 4 |
| | Complete rotor | Bearing type (burs side) | Bearing type (push side) | Push button | O-ring Head | Driving Shaft |
| Order code | 150TM1028 | CU68PK | CM512 | 150TM1027 | 705TM0246 | 150TM1026 |
| | | CU68PKG | CM512G | | | |

| 1.1 - 1.2 | | | | | | | |
|-------------------|---------|--------------------|-------|-------|---------|--------|--------|
| | Bearing | Size d.i/d.e/h(mm) | Cage | Balls | Contact | Brand | Type |
| Order code | CU68PK | 4 X 7 X 2 | Steel | Steel | Radial | Myonic | Smooth |
| | CU68PKG | 4 X 7 X 2 | Steel | Steel | Radial | Grw | Smooth |
| | CM512 | 5 X 8 X 2 | Steel | Steel | Radial | Myonic | Smooth |
| | CM512G | 5 X 8 X 2 | Steel | Steel | Radial | Grw | Smooth |



| RELATED PRODUCTS | | | | |
|-------------------|---|---|---|---|
| |  |  |  |  |
| | Push button key | Fits for spindles | Fits for angle | Lubrication |
| Order code | KIV0025B | CL5.001V | LIV1013 | Ivory® Silk Oil OL101S |



Bien-Air® CA 1:5 L - Contra-angle Red ring

| | | | | | | | |
|------------|---|---|---|---|---|---|---|
| |  |  |  |  |  |  |  |
| | 1 | 1.1 | 1.2 | 2 | 3 | 4 | 5 |
| | Complete rotor | Bearing type (burs side) | Bearing type (push side) | Push button | O-ring head and body | Driving Shaft | O-ring diffuser |
| Order code | 150TM1933 | SB200W | SB200W | PIVB15CA | 705TM0246 | BTR15CA | 7050267 |

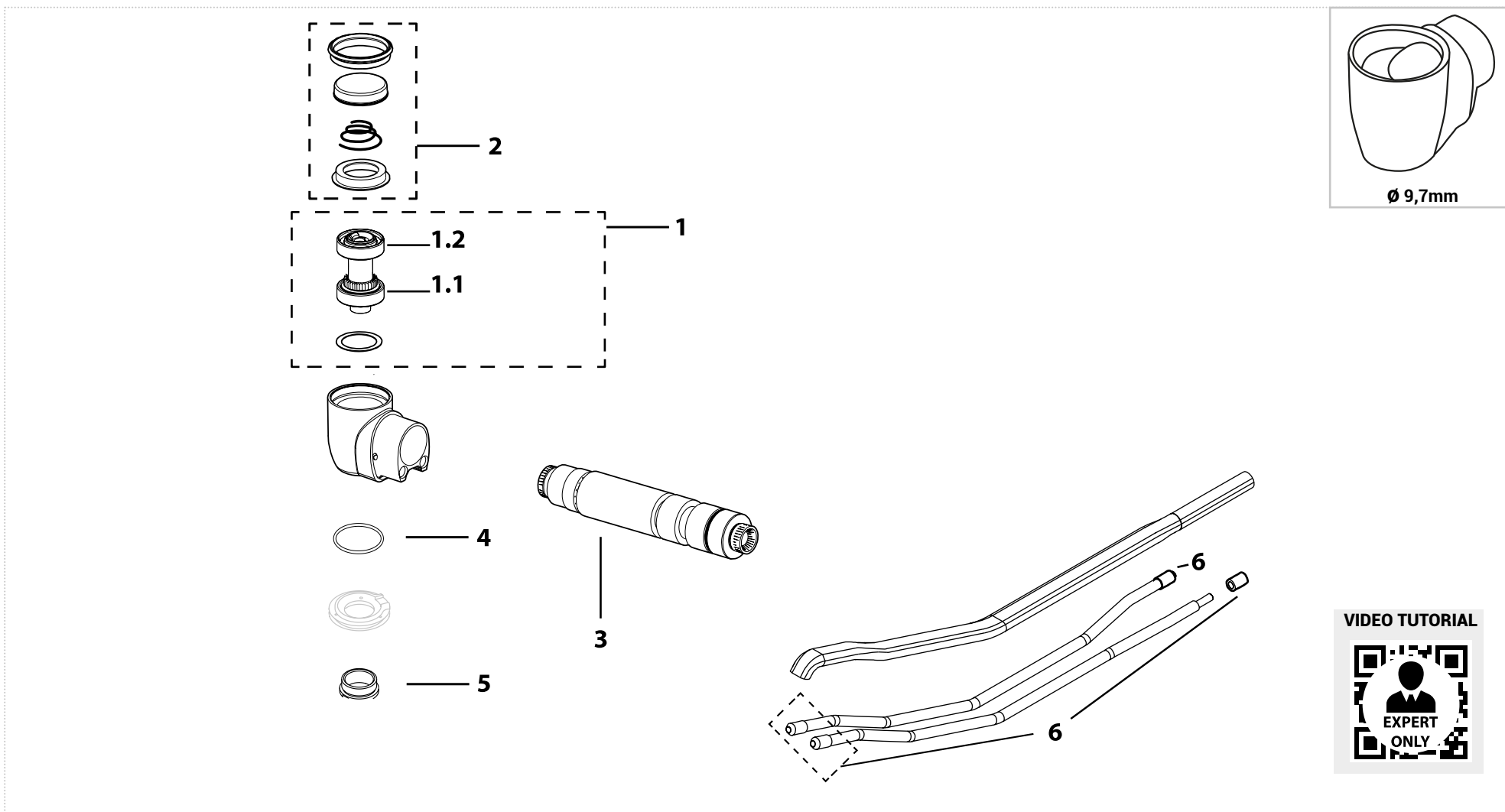
| 1.1 - 1.2 | | | | | | | |
|------------|---------|--------------------|--------|---------|---------|--------|--------|
| | Bearing | Size d.i/d.e/h(mm) | Cage | Balls | Contact | Brand | Type |
| Order code | SB200W | 4 X 7 X 2 | Torlon | Ceramic | Angular | Myonic | Smooth |

| RELATED PRODUCTS | | | |
|---|---|---|--|
|  |  |  |  |
| Push button key | Fits for spindles | Fits for angle | Lubrication |
| Order code | KIV0025B | CL5.001V | LIV1013 Ivory® Silk Oil OL101S |

SIRONA® T1 LINE C40/L

Contra-angle blue ring

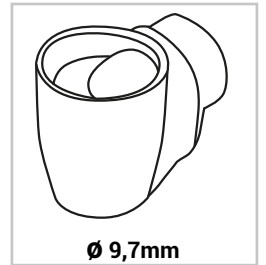
CONTRA-ANGLES



SIRONA® T1 LINE C40/L

Contra-angle blue ring

CONTRA-ANGLES



| | | | | | | | | |
|------------|----------------|--------------------------|--------------------------|----------------------|---------------|--------------|-------------------|-------------|
| | | | | | | | | |
| | 1 | 1.1 | 1.2 | 2 | 3 | 4 | 5 | 6 |
| | Complete rotor | Bearing type (burs side) | Bearing type (push side) | Push button complete | Driving shaft | O-ring spray | Cover spray screw | O-ring head |
| Order code | SR040L | CM315 | CU68PK | 8925TM917 | SRT11 | 704TM3854 | 585TM5890 | 3328163 |
| | | CM315G | CU68PKG | | | | | |

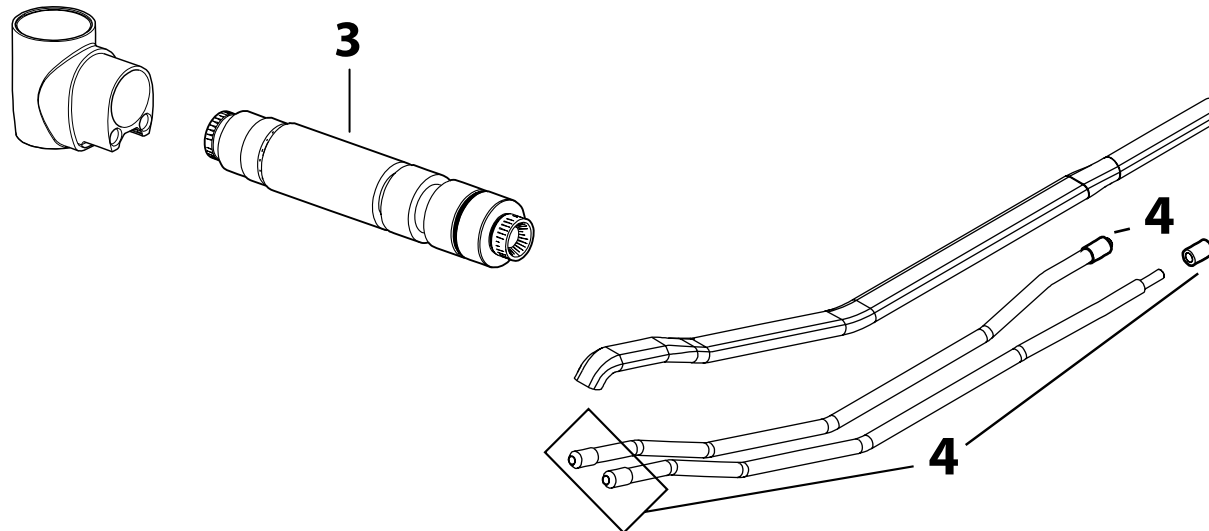
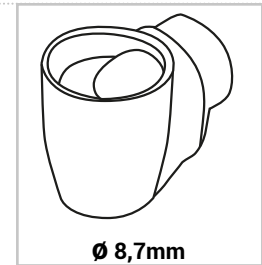
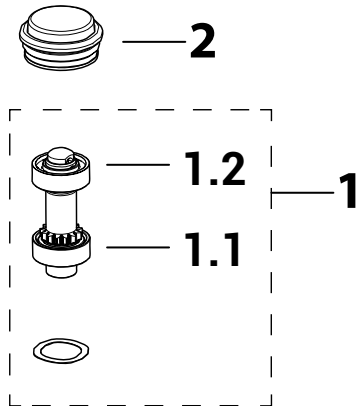
| 1.1 - 1.2 | | | | | | |
|-----------|--------------------|-------|-------|---------|-----------------|--------|
| Bearing | Size d.i/d.e/h(mm) | Cage | Balls | Contact | Brand | Type |
| CM315 | 3 X 7 X 2 | Steel | Steel | Radial | Tecnomed Italia | Smooth |
| CM315G | 3 X 7 X 2 | Steel | Steel | Radial | GRW | Smooth |
| CU68PK | 4 X 7 X 2 | Steel | Steel | Radial | Tecnomed Italia | Smooth |
| CU68PKG | 4 X 7 X 2 | Steel | Steel | Radial | GRW | Smooth |

| RELATED PRODUCTS | | | |
|------------------|------------------|----------------|--------------------------------------|
| | | | |
| Push button key | Fits for spindle | Fits for angle | Lubrication |
| Order code | KIV4020 | CL5.001V | LIV1013 Ivory® Silk Oil OL101S |

SIRONA® T2 LINE A40/L T3 LINE E40/L

Contra-angle blue ring

CONTRA-ANGLES









VIDEO TUTORIAL

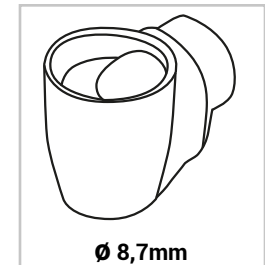


SIRONA® T2 LINE A40/L T3 LINE E40/L

Contra-angle blue ring

CONTRA-ANGLES

| | | | | | | |
|------------|---|---|---|---|--|---|
| |  |  |  |  |  |  |
| | 1 | 1.1 | 1.2 | 2 | 3 | 4 |
| | Complete rotor | Bearing type (burs side) | Bearing type (push side) | Push button | Driving shaft | O-ring Head |
| Order code | 0594TM3092 | CM311 | CN56W | 604TM8329 | SRT11 | 3328163 |
| | | CM311G | CN56WG | | | |



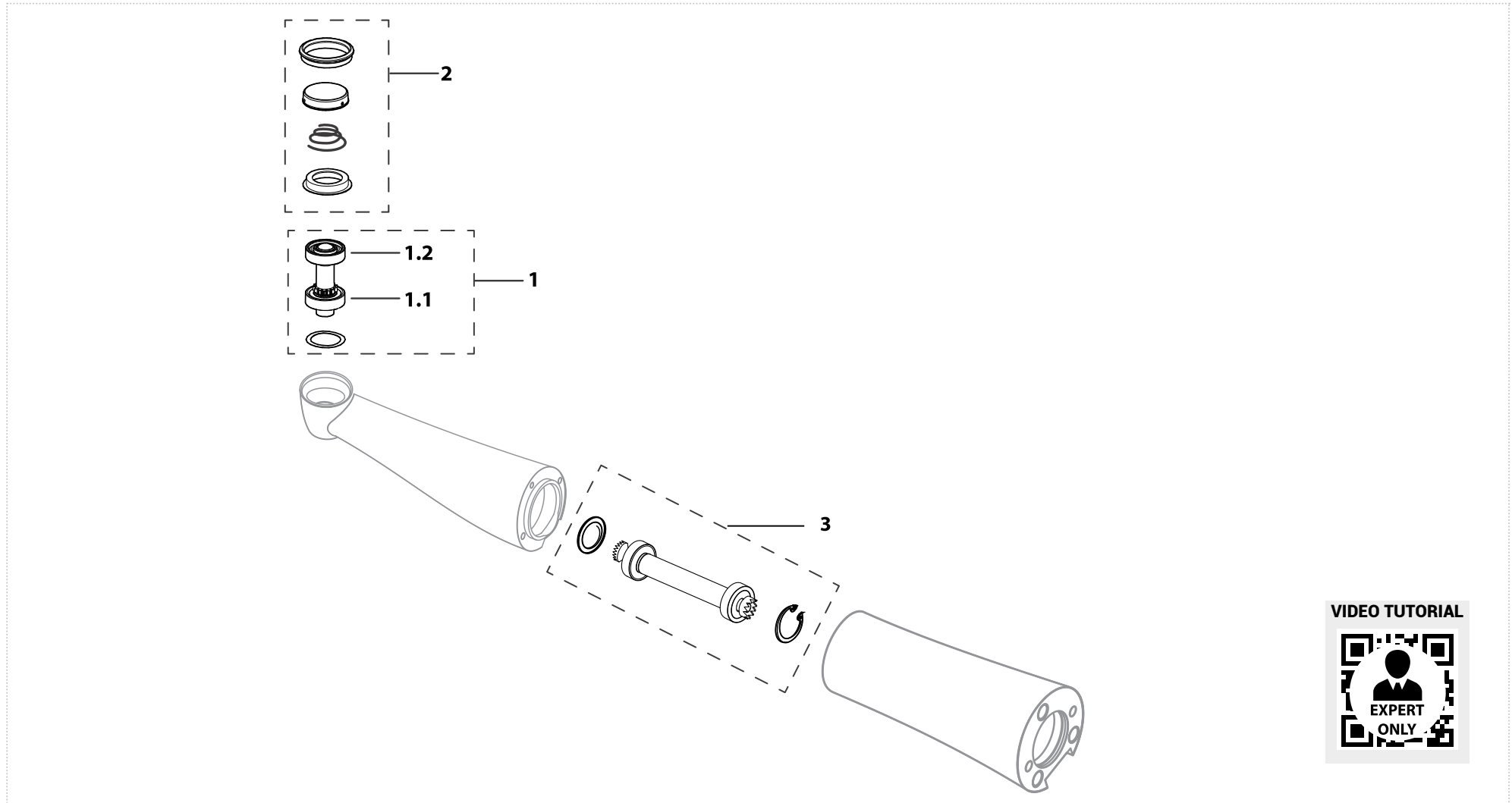
| 1.1 - 1.2 | | | | | | |
|-----------|--------------------|-------|-------|---------|-----------------|--------|
| Bearing | Size d.i/d.e/h(mm) | Cage | Balls | Contact | Brand | Type |
| CM311 | 3 X 6 X 2 | Steel | Steel | Radial | Tecnomed Italia | Smooth |
| CM311G | 3 X 6 X 2 | Steel | Steel | Radial | GRW | Smooth |
| CN56W | 4 X 7 X 1,6 | Steel | Steel | Radial | Tecnomed Italia | Smooth |
| CN56WG | 4 X 7 X 1,6 | Steel | Steel | Radial | GRW | Smooth |

| RELATED PRODUCTS | | | |
|---|---|---|---|
|  |  |  |  |
| Push button key | Fits for spindle | Fits for angle | Lubrication |
| Order code | KIV4020 | CL5.001V | LIV1013 Ivory® Silk Oil OL101S |

SIRONA® T2 REVO R40/L

Contra-angle blue ring

CONTRA-ANGLES








VIDEO TUTORIAL



SIRONA® T2 REVO R40/L

Contra-angle blue ring

CONTRA-ANGLES

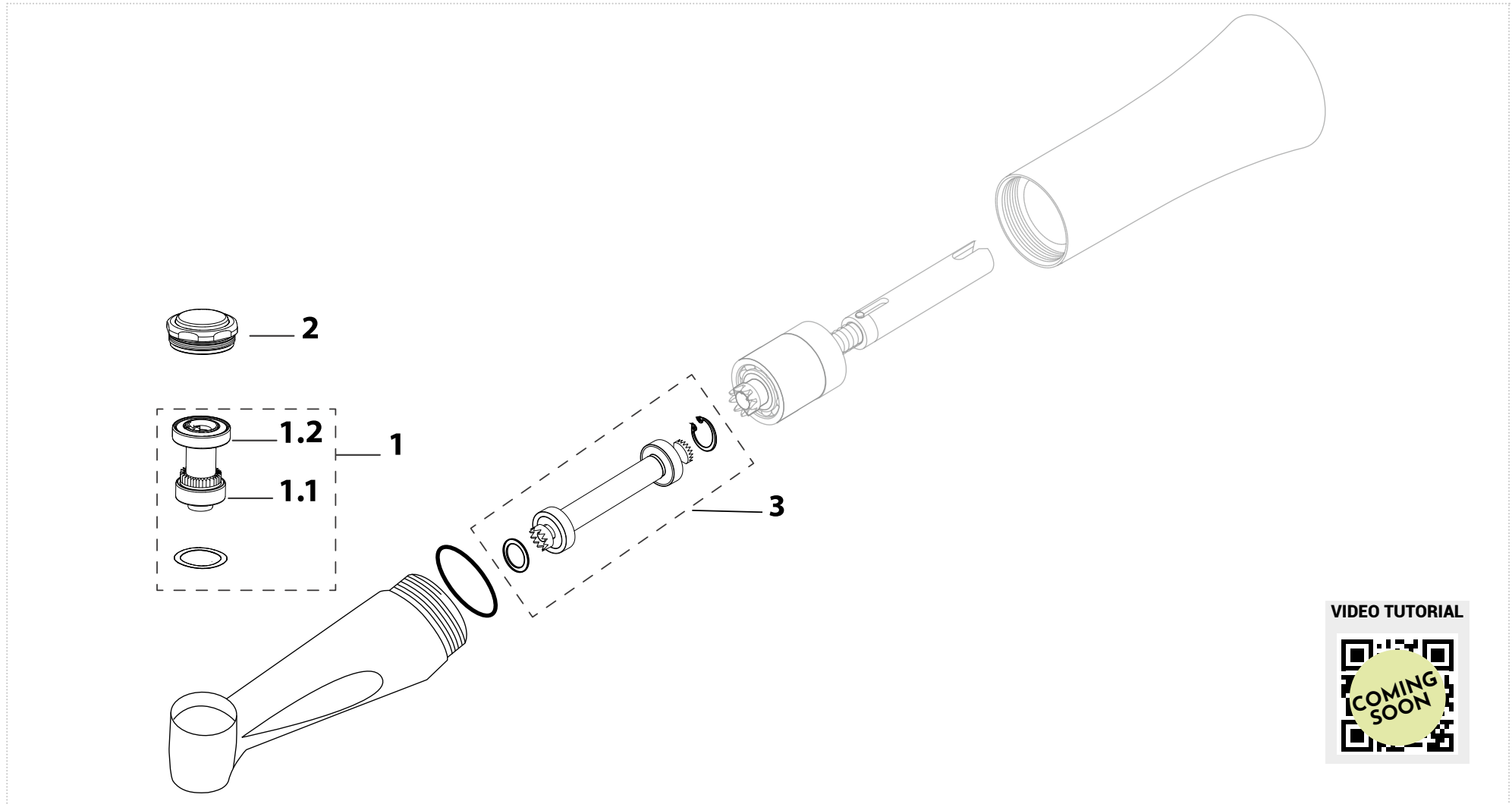
| | | | | |
|---|---|---|---|--|
|  |  |  |  |  |
| 1 | 1.1 | 1.2 | 2 | 3 |
| Complete rotor | Bearing type (burs side) | Bearing type (push side) | Push button | Driving shaft |
| Order code | SR041L | CM311 | 8925TM917 | 594TM3167 |
| | | CM311G | | |

| 1.1 - 1.2 | | | | | | |
|----------------|---------------------------|-------------|--------------|----------------|-----------------|-------------|
| Bearing | Size d.i/d.e/h(mm) | Cage | Balls | Contact | Brand | Type |
| CM311 | 3 X 6 X 2 | Steel | Steel | Radial | Tecnomed Italia | Smooth |
| CM311G | 3 X 6 X 2 | Steel | Steel | Radial | GRW | Smooth |
| CU68PK | 4 X 7 X 2 | Steel | Steel | Radial | Myonic | Smooth |
| CU68PKG | 4 X 7 X 2 | Steel | Steel | Radial | GRW | Smooth |

| RELATED PRODUCTS | | | |
|---|---|---|---|
|  |  |  |  |
| Push button key | Fits for spindle | Fits for angle | Lubrication |
| Order code | KIV4020 | CL5.001V | LIV1013 Ivory® Silk Oil OL101S |

SIRONA® T4 LINE B40 Contra-angle blue ring

CONTRA-ANGLES








VIDEO TUTORIAL






SIRONA® T4 LINE B40

Contra-angle blue ring

CONTRA-ANGLES

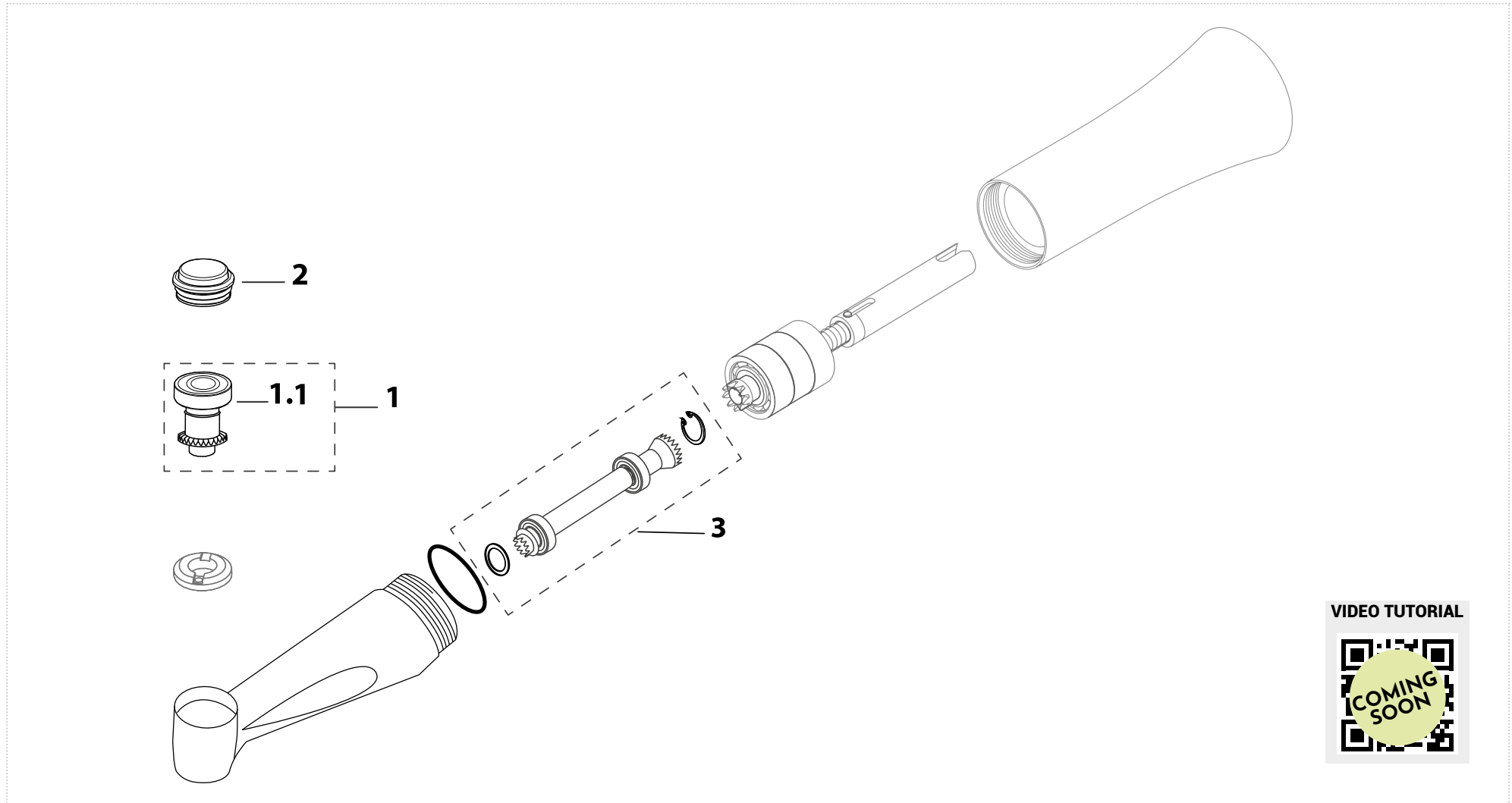
| | | | | |
|---|---|---|---|--|
|  |  |  |  |  |
| 1 | 1.1 | 1.2 | 2 | 3 |
| Complete rotor | Bearing type (burs side) | Bearing type (push side) | Push button | Driving shaft |
| Order code 0594TM3092 | CM311 | CN56W | AVAILABLE ON REQUEST | SRT40 |
| | CM311G | CN56WG | | |

| 1.1 - 1.2 | | | | | | |
|----------------|---------------------------|-------------|--------------|----------------|-----------------|-------------|
| Bearing | Size d.i/d.e/h(mm) | Cage | Balls | Contact | Brand | Type |
| CM311 | 3 X 6 X 2 | Steel | Steel | Radial | Tecnomed Italia | Smooth |
| CM311G | 3 X 6 X 2 | Steel | Steel | Radial | GRW | Smooth |
| CN56W | 4 X 7 X 1,6 | Steel | Steel | Radial | Tecnomed Italia | Smooth |
| CN56WG | 4 X 7 X 1,6 | Steel | Steel | Radial | GRW | Smooth |

| RELATED PRODUCTS | | |
|---|---|---|
|  |  |  |
| Fits for spindle | Fits for angle | Lubrication |
| Order code CL5.001V | LIV1013 | Ivory® Silk Oil OL101S |

SIRONA® ENDO 6:1 Contra-angle green ring

CONTRA-ANGLES



VIDEO TUTORIAL





SIRONA® ENDO 6:1

Contra-angle green ring

| | | | | |
|-------------------|---|---|---|---|
| |  |  |  |  |
| | 1 | 1.1 | 2 | 3 |
| | Sub-assembly rotor | Bearing type (push side) | Push button | Driving shaft |
| Order code | SR206C | CU68PK | PIV206C | KTR206C |



| 1.1 | | | | | | | | |
|-------------------|---------|--------------------|-------|-------|---------|------|--------|--------|
| | Bearing | Size d.i/d.e/h(mm) | Cage | Balls | Contact | Abec | Brand | Type |
| Order code | CU68PK | 4 X 7 X 2 | Steel | Steel | Radial | 7 | Myonic | Smooth |

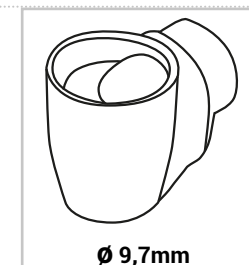
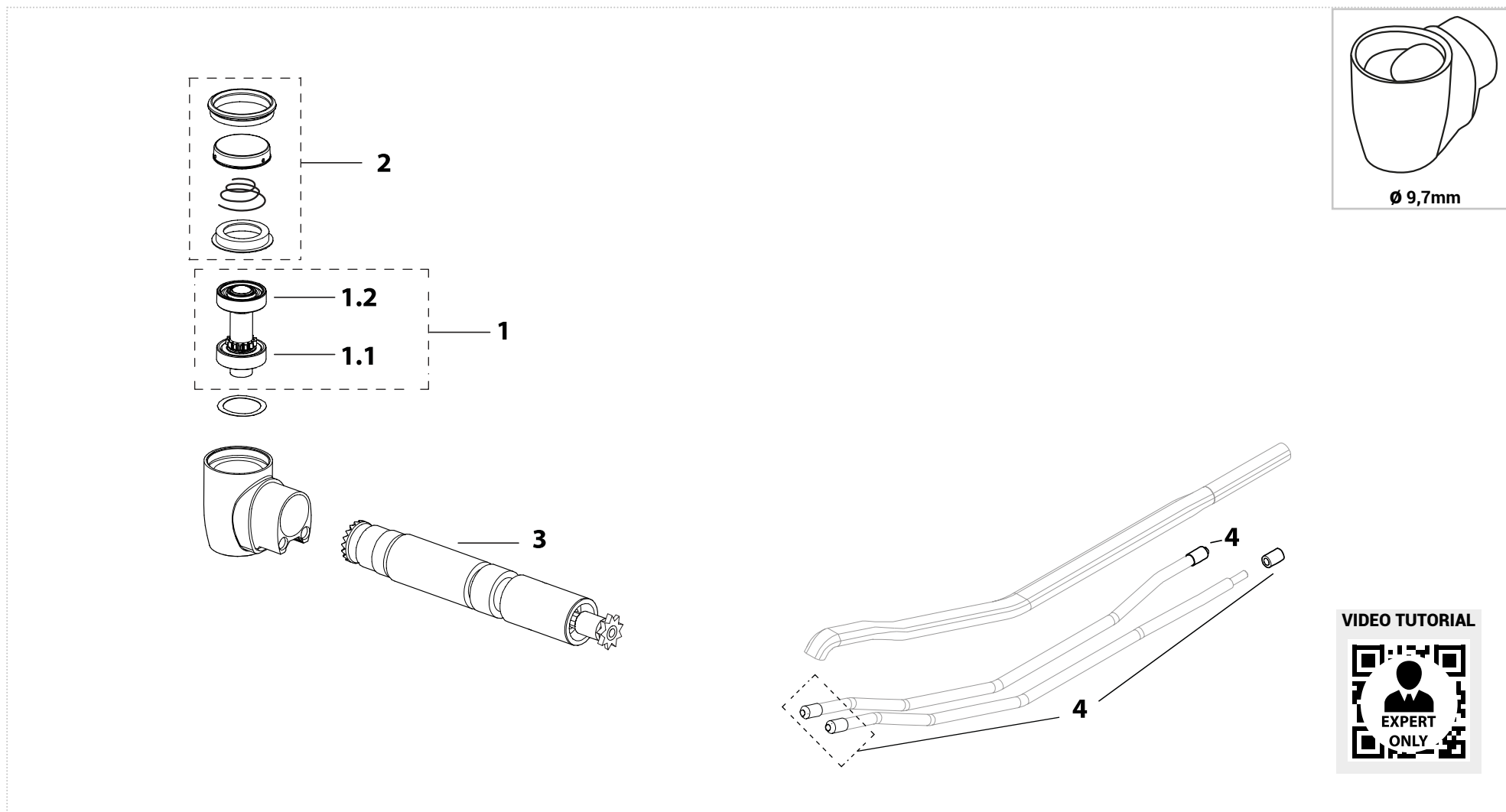
| | | |
|-------------------|---|---|
| |  |  |
| | Push button key | Lubrication |
| Order code | KIV4020 | Ivory® Silk Oil OL101S |

SIRONA® T1 LINE C200/L - T2 LINE A 200/L - T2 LINE A170/L - T3 LINE E200/L

Contra-angle red ring

GEAR 13 Z Ø 9,7 mm

CONTRA-ANGLES



VIDEO TUTORIAL









SIRONA® T1 LINE C200/L - T2 LINE A 200/L - T2 LINE A170/L - T3 LINE E200/L

Contra-angle red ring

GEAR 13 Z Ø 9,7 mm

CONTRA-ANGLES



| | | | | | | |
|------------|---|---|---|---|--|---|
| |  |  |  |  |  |  |
| | 1 | 1.1 | 1.2 | 2 | 3 | 4 |
| | Complete rotor | Bearing type (burs side) | Bearing type (push side) | Push button | Driving shaft | O-ring Head |
| Order code | SR200L* | SB200W | SB200W | PIV206C | STR5603 | 3328163 |

* GEAR 13 Z
Ø 9,7 mm

| 1.1 - 1.2 | | | | | | |
|------------|---------|--------------------|--------|---------|---------|--------|
| | Bearing | Size d.i/d.e/h(mm) | Cage | Balls | Contact | Type |
| Order code | SB200W | 4 X 7 X 2 | Torlon | Ceramic | Angular | Smooth |

RELATED PRODUCTS

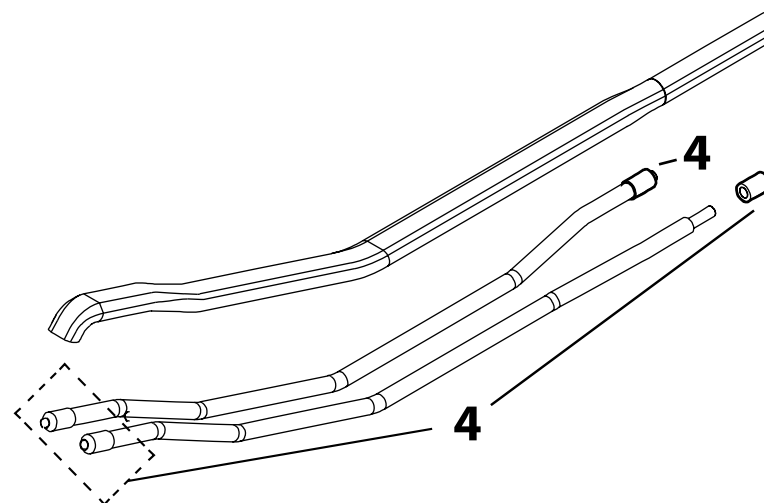
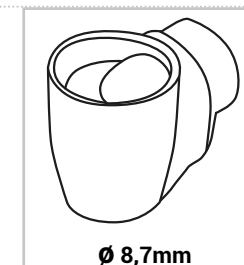
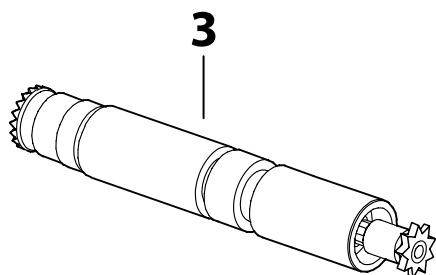
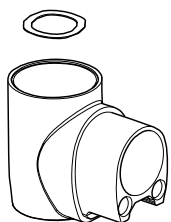
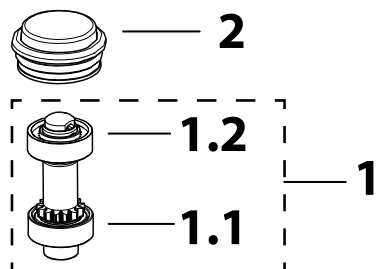
| | | | | |
|------------|---|---|---|---|
| |  |  |  |  |
| | Push button key | Fits for spindle | Fits for angle | Lubrication |
| Order code | KIV4020 | CL5.001V | LIV1013 | Ivory® Silk Oil OL101S |

SIRONA® T1 LINE C200/L - T2 LINE A200L - T3 LINE E200/L - C200L MINI - S200L

Contra-angle red ring

GEAR 13 Z Ø 8,7 mm

CONTRA-ANGLES



VIDEO TUTORIAL

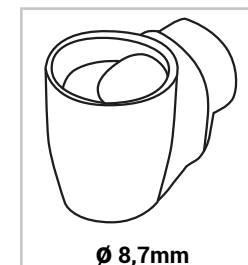


SIRONA® T1 LINE C200/L - T2 LINE A200L - T3 LINE E200/L - C200L MINI - S200L

Contra-angle red ring

GEAR 13 Z Ø 8,7 mm

CONTRA-ANGLES



| | | | | | | |
|------------|----------------|--------------------------|--------------------------|-------------|---------------|-------------|
| | | | | | | |
| | 1 | 1.1 | 1.2 | 2 | 3 | 4 |
| | Complete rotor | Bearing type (burs side) | Bearing type (push side) | Push button | Driving shaft | O-ring Head |
| Order code | SR201L * | SB224F | SB224F | 604TM9337 | STR5603 | 3328163 |

* GEAR 13 Z
Ø 8,7 mm

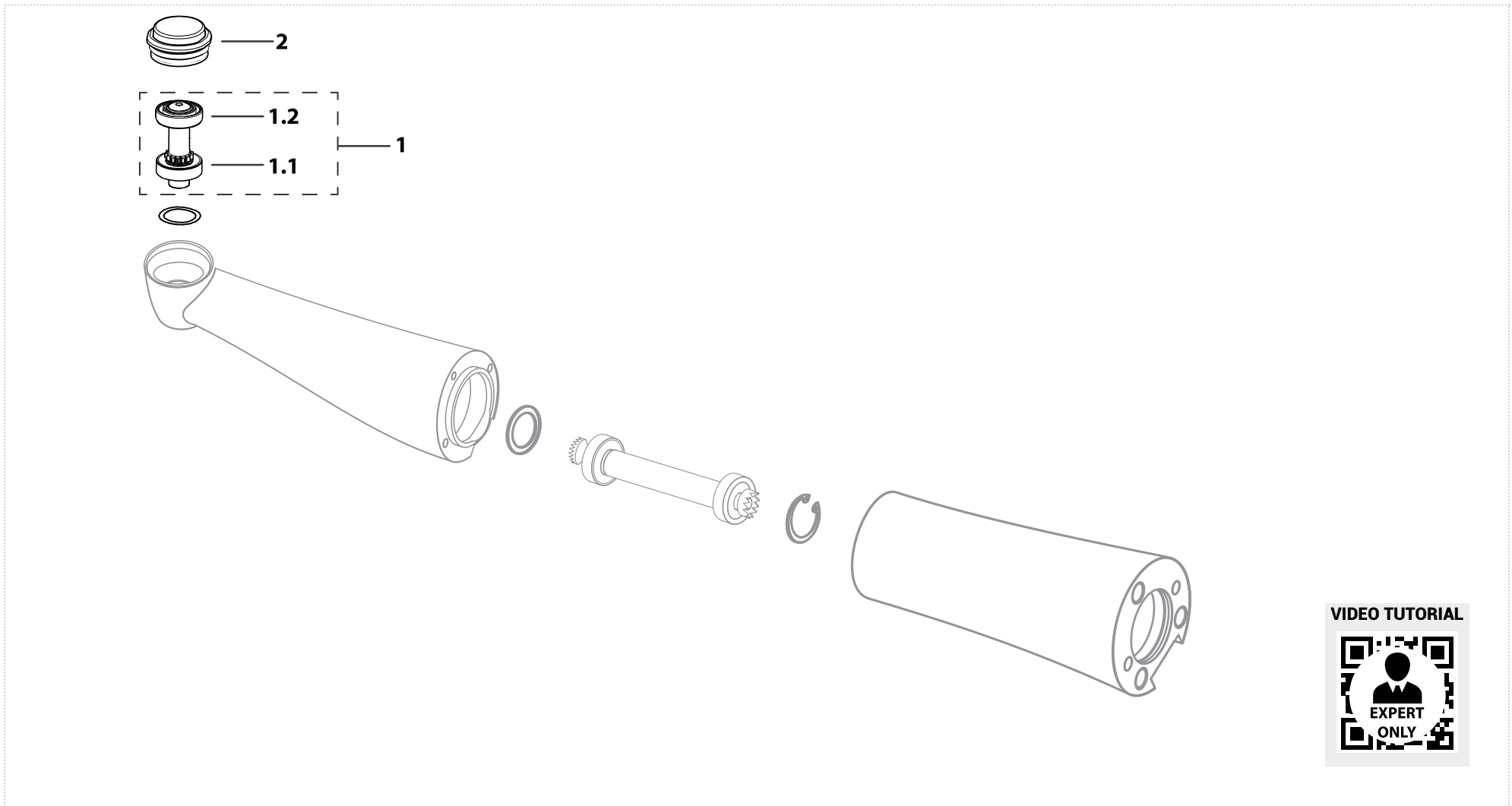
| 1.1 - 1.2 | | | | | | | |
|------------|---------|--------------------|--------|----------|---------|-------|--------|
| | Bearing | Size d.i/d.e/h(mm) | Cage | Balls | Contact | Brand | Type |
| Order code | SB224F | 3,175 X 6 X 2 | Torlon | Ceramics | Radial | TMI | Smooth |

| RELATED PRODUCTS | | | |
|------------------|------------------|----------------|--------------------------------------|
| | | | |
| Push button key | Fits for spindle | Fits for angle | Lubrication |
| Order code | KIV4020 | CL5.001V | LIV1013 Ivory® Silk Oil OL101S |

SIRONA® T2 REVO R170

Contra-angle red ring

CONTRA-ANGLES







VIDEO TUTORIAL



SIRONA® T2 REVO R170

Contra-angle red ring

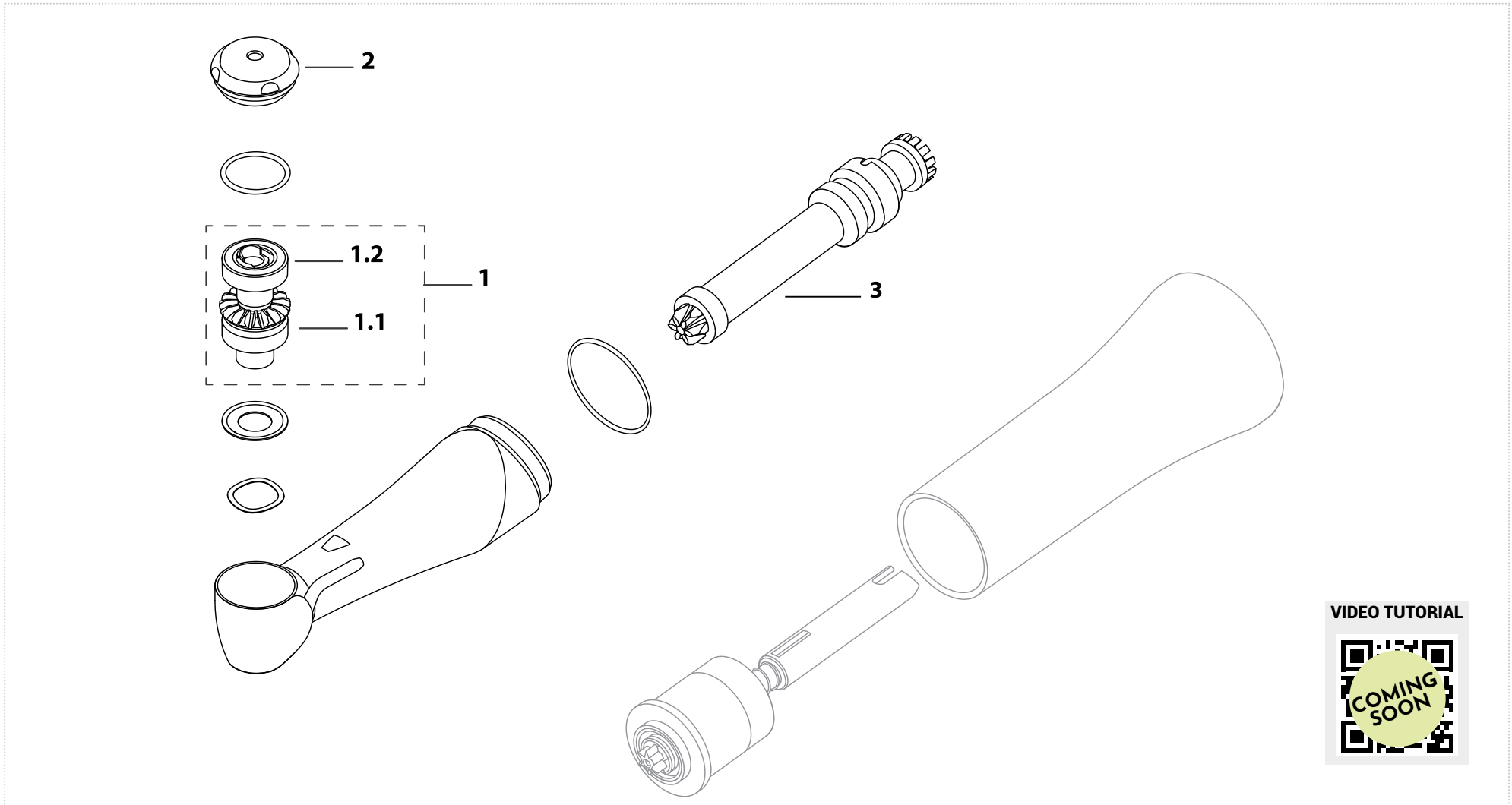
| | | | | |
|------------|---|---|---|---|
| |  |  |  |  |
| | 1 | 1.1 | 1.2 | 2 |
| | Complete rotor | Bearing type (burs side) | Bearing type (push side) | Push button |
| Order code | SR202L | SB224F | SB224F | 604TM9337 |

| 1.1 - 1.2 | | | | | | | |
|------------|---------|--------------------|--------|----------|---------|-------|--------|
| | Bearing | Size d.i/d.e/h(mm) | Cage | Balls | Contact | Brand | Type |
| Order code | SB224F | 3,175 X 6 X 2 | Torlon | Ceramics | Radial | TMI | Smooth |

| RELATED PRODUCTS | | | |
|--|--|--|--|
|  |  |  |  |
| Push button key | Fits for spindle | Fits for angle | Lubrication |
| Order code | KIV4020 | CL5.001V | LIV1013 Ivory® Silk Oil OL101S |

SIRONA® IMPLANT 20:1 Contra-angle green ring

CONTRA-ANGLES








VIDEO TUTORIAL



SIRONA® IMPLANT 20:1


Contra-angle green ring

CONTRA-ANGLES

| | | | | | |
|------------|---|---|---|---|--|
| |  |  |  |  |  |
| | 1 | 1.1 | 1.2 | 2 | 3 |
| | Complete rotor | Bearing type (burs side) | Bearing type (push side) | Push button | Driving shaft |
| Order code | 0493TM9900 | CU68PK | CU68PK | 049TM40500 | 0466TM7600 |

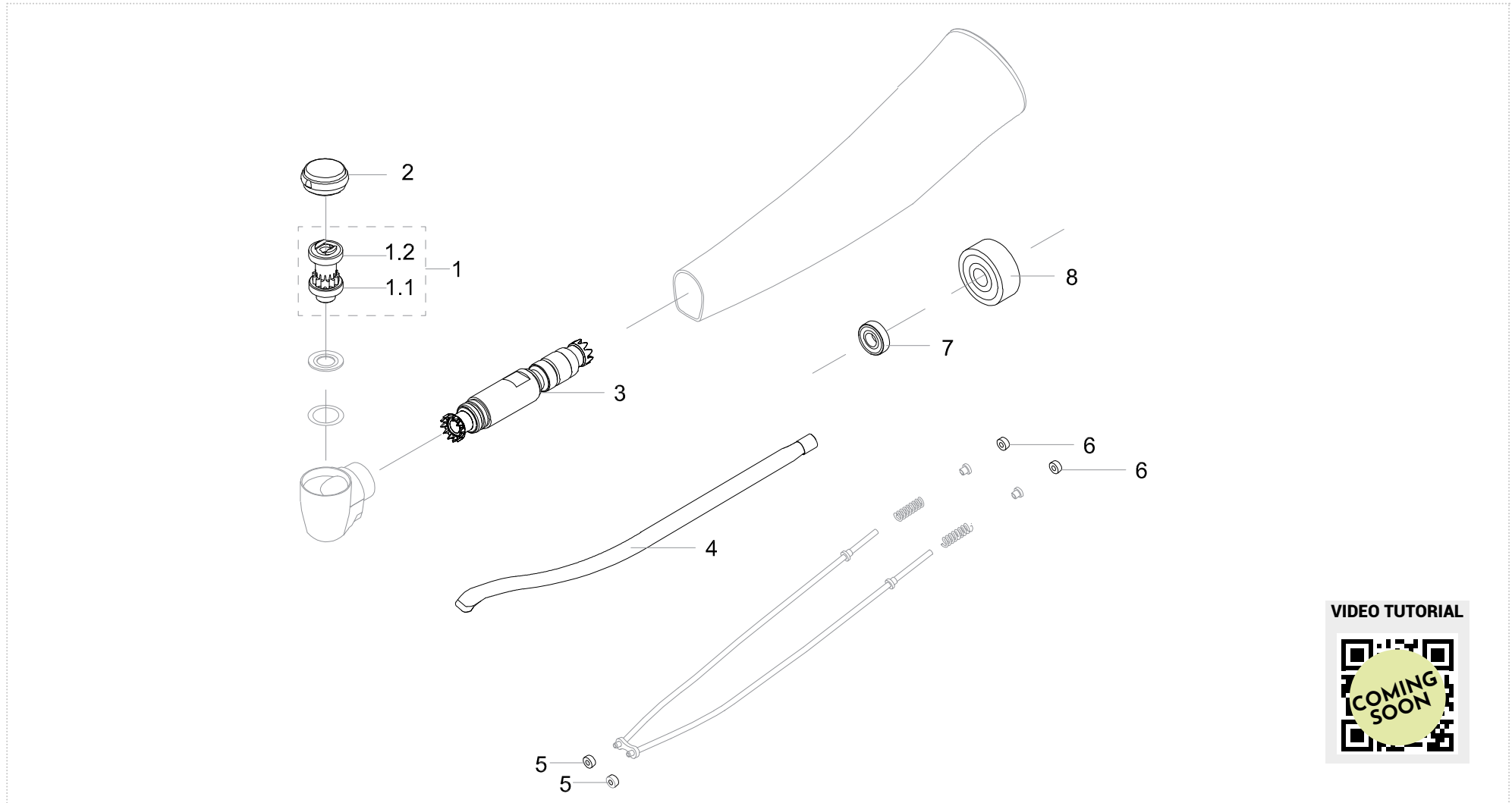


| 1.1 - 1.2 | | | | | | | |
|------------|---------|---------------------|-------|-------|---------|--------|--------|
| | Bearing | Size d.i./d.e/h(mm) | Cage | Balls | Contact | Brand | Type |
| Order code | CU68PK | 4 X 7 X 2 | Steel | Steel | Radial | Myonic | Smooth |

| RELATED PRODUCTS | | | | | |
|------------------|---|---|---|---|---|
| |  |  |  |  |  |
| | Push button key | Drive shaft key | Fits for spindles | Fits for angle | Lubrication |
| Order code | KIV0025B | IK111 | CL5.001V | LIV1013 | Ivory® Silk Oil OL101S |

W&H® WA-56 LT NEW Contra-angle blue ring

CONTRA-ANGLES













VIDEO TUTORIAL



W&H® WA-56 LT NEW

Contra-angle blue ring

CONTRA-ANGLES

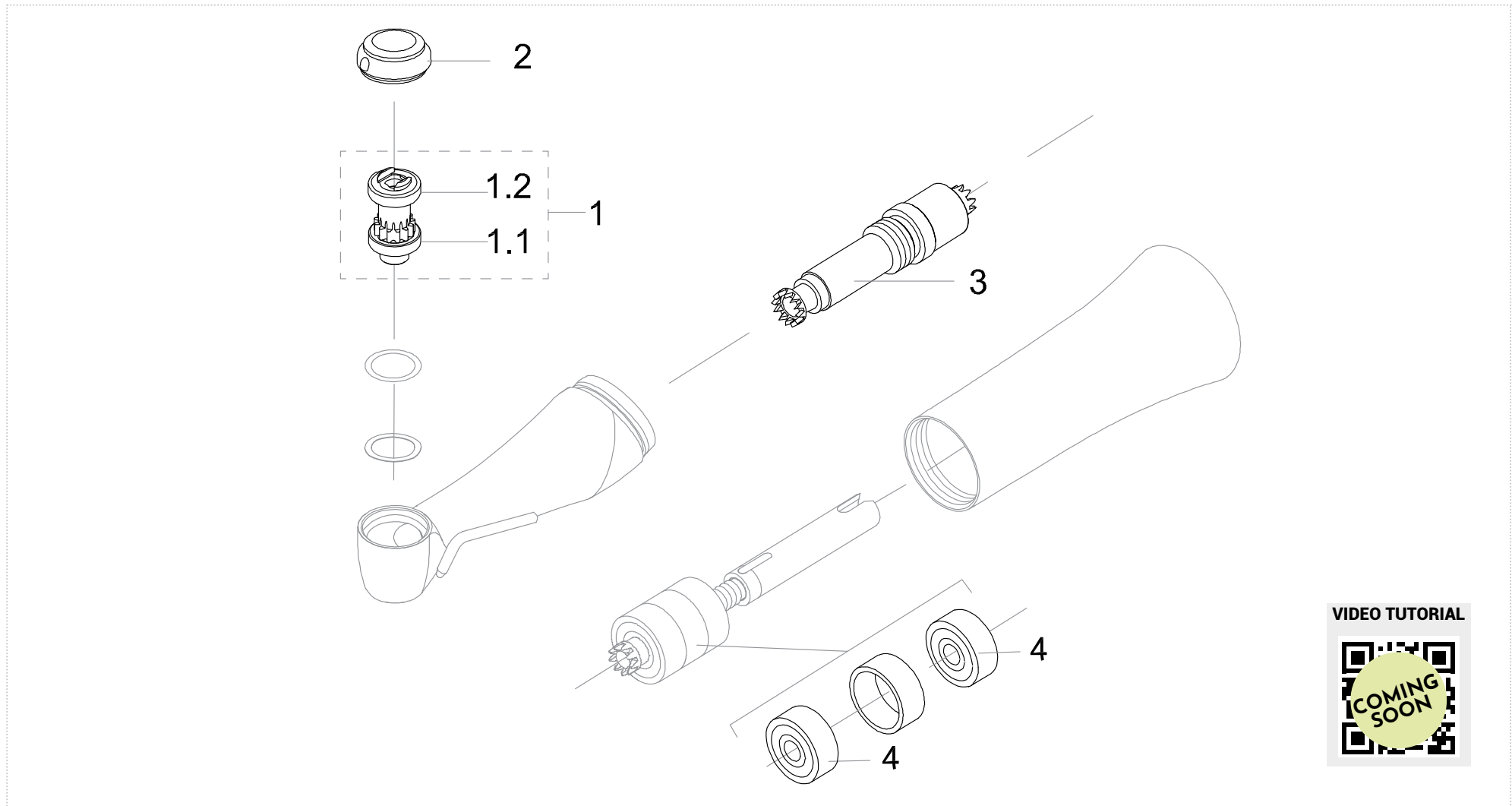
| | | | | | | | | | | |
|---|---|---|---|---|---|---|---|---|---|-------|
|  |  |  |  |  |  |  |  |  |  | |
| 1 | 1.1 | 1.2 | 2 | 3 | 4 | 5 | 6 | 7 | 8 | |
| Complete rotor | Bearing type (burs side) | Bearing type (push side) | Push button | Driving shaft | Glass road | Head o-ring | Rear o-ring | Shaft bearing (front side) | Shaft bearing (rear side) | |
| Order code | 0543TM1100 | CN56W | CN56W | PIV56LTN | AVAILABLE ON REQUEST | FO58500 | 038TM11800 | 038TM11800 | CM315 | CM328 |

| 1.1 - 1.2 - 7 - 8 | | | | | | | |
|-------------------|--------------------|-------------|-------|---------|--------|-----------------|--------|
| Bearing | Size d.i/d.e/h(mm) | Cage | Balls | Contact | Brand | Type | |
| Order code | CN56W | 4 X 7 X 1,6 | Steel | Steel | Radial | Myonic | Smooth |
| | CM315 | 3 X 7 X 2 | Steel | Steel | Radial | Tecnomed Italia | Smooth |
| | CM328 | 3 X 10 X 4 | Steel | Steel | Radial | Tecnomed Italia | Smooth |

| RELATED PRODUCTS | | | | |
|---|---|---|---|------------------------|
|  |  |  |  | |
| Push button key | Fits for spindle | Fits for angle | Lubrication | |
| Order code | KW56G | CL5.001V | LIV1013 | Ivory® Silk Oil OL101S |

W&H® WD-56/EM Contra-angle blue ring







CONTRA-ANGLES



VIDEO TUTORIAL



W&H® WD-56/EM Contra-angle blue ring

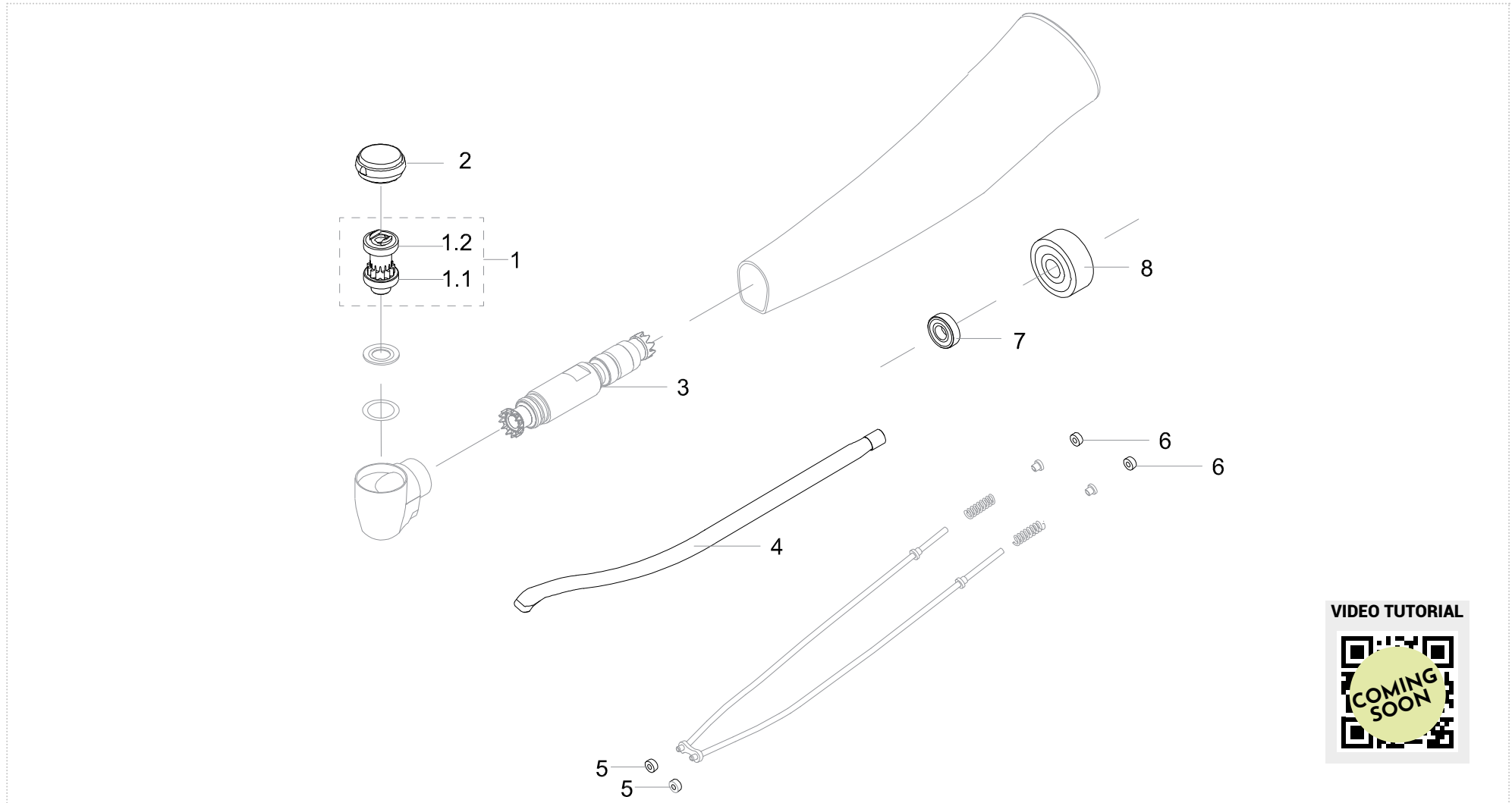
| | | | | | | |
|-------------------|---|---|---|---|---|---|
| |  |  |  |  |  |  |
| | 1 | 1.1 | 1.2 | 2 | 3 | 4 |
| | Complete rotor | Bearing type (burs side) | Bearing type (push side) | Push button | Driving shaft | Shaft bearing |
| Order code | 0342TM5000 | CU68PK | CU68PK | 0342TM4700 | 0340TM3500 | CM328 |

| 1.1 - 1.2 - 4 | | | | | | | |
|-------------------|----------------|---------------------------|-------------|--------------|----------------|-----------------|-------------|
| | Bearing | Size d.i/d.e/h(mm) | Cage | Balls | Contact | Brand | Type |
| Order code | CU68PK | 4 X 7 X 2 | Steel | Steel | Radial | Myonic | Smooth |
| | CM328 | 3 X 10 X 4 | Steel | Steel | Radial | Tecnomed Italia | Smooth |

| RELATED PRODUCTS | | |
|---|---|---|
|  |  |  |
| Fits for spindle | Fits for angle | Lubrication |
| Order code | CL5.001V | LIV1013 Ivory® Silk Oil OL101S |

W&H® SYNEA FUSION WG-56LT (OLD MODEL) Contra-angle blue ring

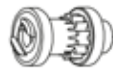









CONTRA-ANGLES



W&H® SYNEA FUSION WG-56LT (OLD MODEL)

Contra-angle blue ring

CONTRA-ANGLES

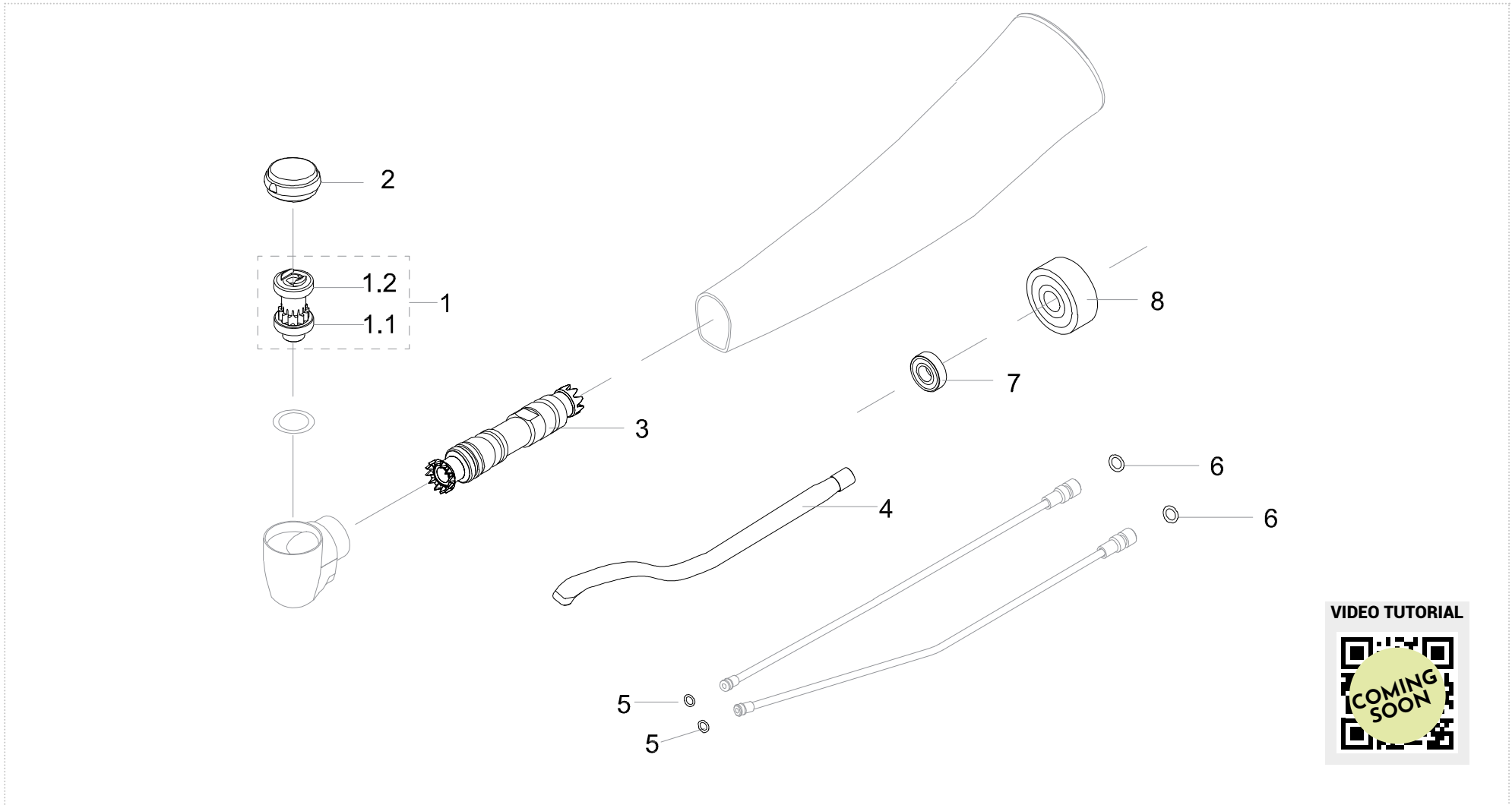
| | | | | | | | | | | |
|---|---|---|---|---|---|---|---|---|---|-------|
|  |  |  |  |  |  |  |  |  |  | |
| 1 | 1.1 | 1.2 | 2 | 3 | 4 | 5 | 6 | 7 | 8 | |
| Complete rotor | Bearing type (burs side) | Bearing type (push side) | Push button | Driving shaft | Glass road | Head o-ring | Body o-ring | Shaft bearing (front side) | Shaft bearing (rear side) | |
| Order code | AVAILABLE ON REQUEST | CU68PK | CN56W | PIV56LTN | AVAILABLE ON REQUEST | FO58500 | 038TM11800 | 038TM11800 | CM315 | CM328 |

| 1.1 - 1.2 - 7 - 8 | | | | | | |
|-------------------|--------------------|-------|-------|---------|-----------------|--------|
| Bearing | Size d.i/d.e/h(mm) | Cage | Balls | Contact | Brand | Type |
| CU68PK | 4 X 7 X 2 | Steel | Steel | Radial | Myonic | Smooth |
| CN56W | 4 X 7 X 1,6 | Steel | Steel | Radial | Myonic | Smooth |
| CM315 | 3 X 7 X 2 | Steel | Steel | Radial | Tecnomed Italia | Smooth |
| CM328 | 3 X 10 X 4 | Steel | Steel | Radial | Tecnomed Italia | Smooth |

| RELATED PRODUCTS | | | | | | |
|---|---|---|---|---|---|------------------------|
|  |  |  |  |  |  | |
| Push button key | Middle shaft key | Terminal ring | Fits for spindle | Fits for angle | Lubrication | |
| Order code | KW56G | KW5699G | KW5699 | CL5.001V | LIV1013 | Ivory® Silk Oil OL101S |

W&H® SYNEA FUSION WG-56LT (NEW MODEL) Contra-angle blue ring

CONTRA-ANGLES













VIDEO TUTORIAL



W&H® SYNEA FUSION WG-56LT (NEW MODEL)

Contra-angle blue ring

CONTRA-ANGLES

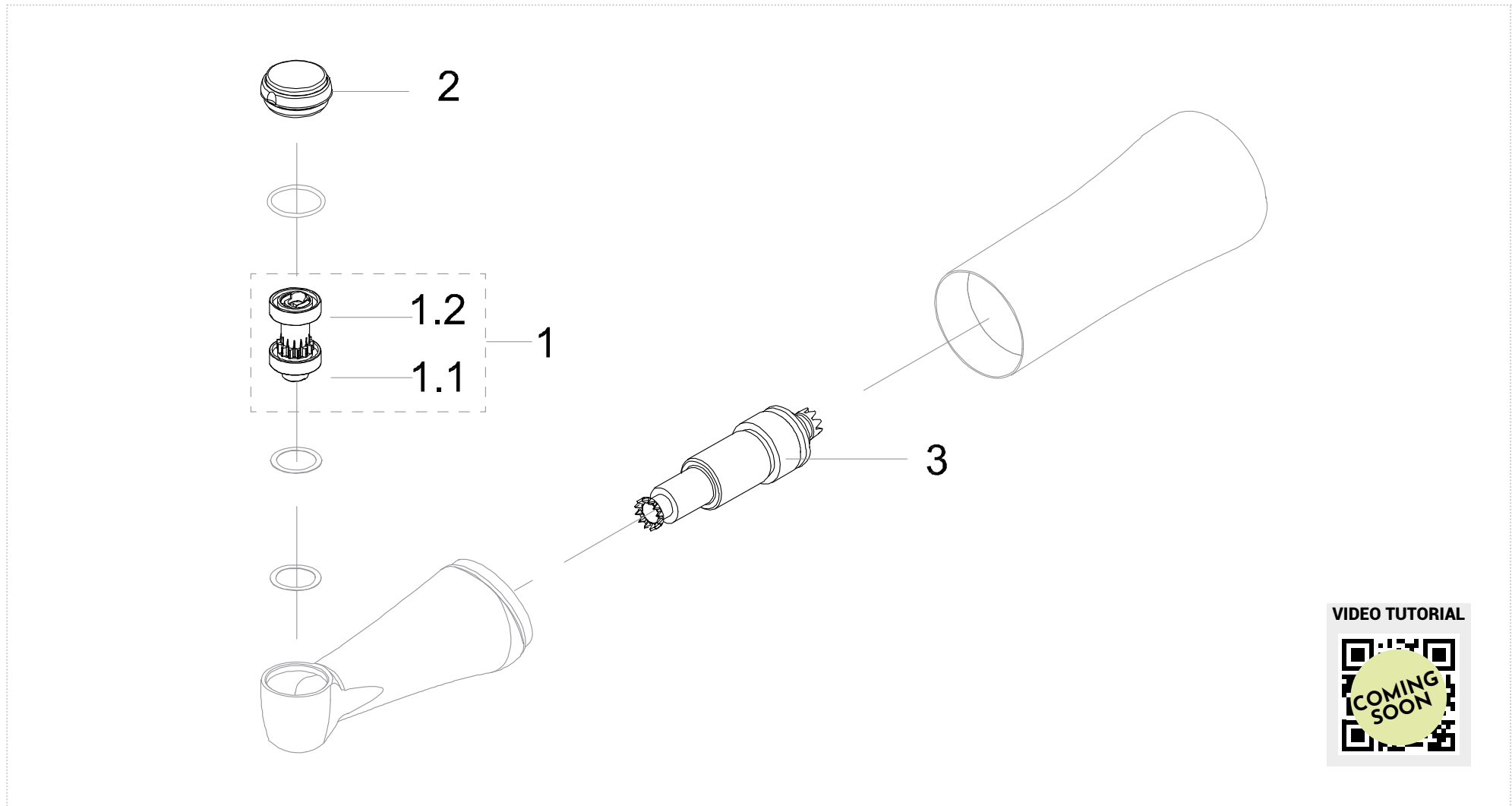
| | | | | | | | | | | |
|---|---|---|---|---|---|---|---|---|---|-------|
|  |  |  |  |  |  |  |  |  |  | |
| 1 | 1.1 | 1.2 | 2 | 3 | 4 | 5 | 6 | 7 | 8 | |
| Complete rotor | Bearing type (burs side) | Bearing type (push side) | Push button | Driving shaft | Glass road | Head o-ring | Body o-ring | Shaft bearing (front side) | Shaft bearing (rear side) | |
| Order code | 076TM05900 | CN56W | CN56W | PIV56LTN | 067TM96000 | FO84600 | 064TM760 | 1003TM4929 | CM315 | CM328 |

| 1.1 - 1.2 - 7 - 8 | | | | | | |
|-------------------|---------------------------|-------------|--------------|----------------|-----------------|-------------|
| Bearing | Size d.i/d.e/h(mm) | Cage | Balls | Contact | Brand | Type |
| CM315 | 4 X 7 X 1,6 | Steel | Steel | Radial | Myonic | Smooth |
| CM328 | 3 X 7 X 2 | Steel | Steel | Radial | Tecnomed Italia | Smooth |
| | 3 X 10 X 4 | Steel | Steel | Radial | Tecnomed Italia | Smooth |

| RELATED PRODUCTS | | | | | |
|---|---|---|---|---|---|
|  |  |  |  |  |  |
| Push button key | Middle shaft key | Terminal ring | Fits for spindle | Fits for angle | Lubrication |
| Order code | KW56G | KW5699G | KW5699 | CL5.001V | LIV1013 |
| | | | | | Ivory® Silk Oil OL101S |






W&H® WE-56 Contra-angle blue ring

CONTRA-ANGLES



W&H® WE-56

Contra-angle blue ring

| | | | | |
|---|---|---|---|--|
|  |  |  |  |  |
| 1 | 1.1 | 1.2 | 2 | 3 |
| Complete rotor | Bearing type (burs side) | Bearing type (push side) | Push button | Driving shaft |
| Order code 0584TM3300 | CU68PK | CU68PK | 0584TM3800 | 0585TM2500 |

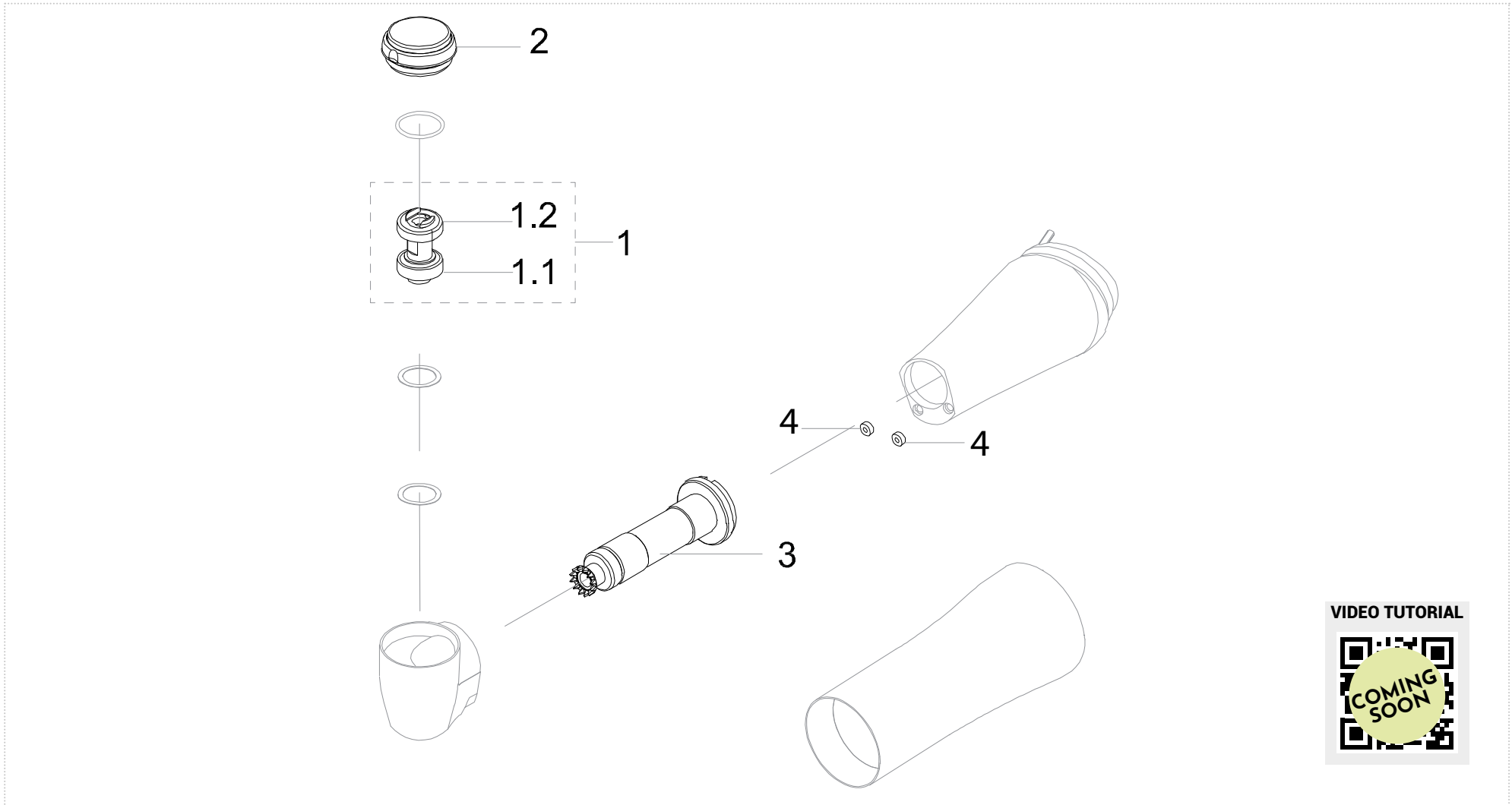


| 1.1 - 1.2 | | | | | | |
|----------------------|---------------------|-------|-------|---------|--------|--------|
| Bearing | Size d.i./d.e/h(mm) | Cage | Balls | Contact | Brand | Type |
| Order code CU68PK | 4 X 7 X 2 | Steel | Steel | Radial | Myonic | Smooth |

| RELATED PRODUCTS | | | | | |
|---|---|---|---|---|---|
|  |  |  |  |  |  |
| Push button key | Middle shaft key | Terminal ring | Fits for spindle | Fits for angle | Lubrication |
| Order code KIV835B | KW56E | KW5699E | CL5.001V | LIV1013 | Ivory® Silk Oil OL101S |

W&H® WE-56 LED G Contra-angle blue ring

CONTRA-ANGLES









VIDEO TUTORIAL



W&H® WE-56 LED G

Contra-angle blue ring

CONTRA-ANGLES

| | | | | | |
|---|---|---|---|--|---|
|  |  |  |  |  |  |
| 1 | 1.1 | 1.2 | 2 | 3 | 4 |
| Complete rotor | Bearing type (burs side) | Bearing type (push side) | Push button | Driving shaft | Head o-ring |
| Order code 0584TM4400 | CU68PK | CU68PK | 0584TM3800 | AVAILABLE ON REQUEST | 038TM11800 |

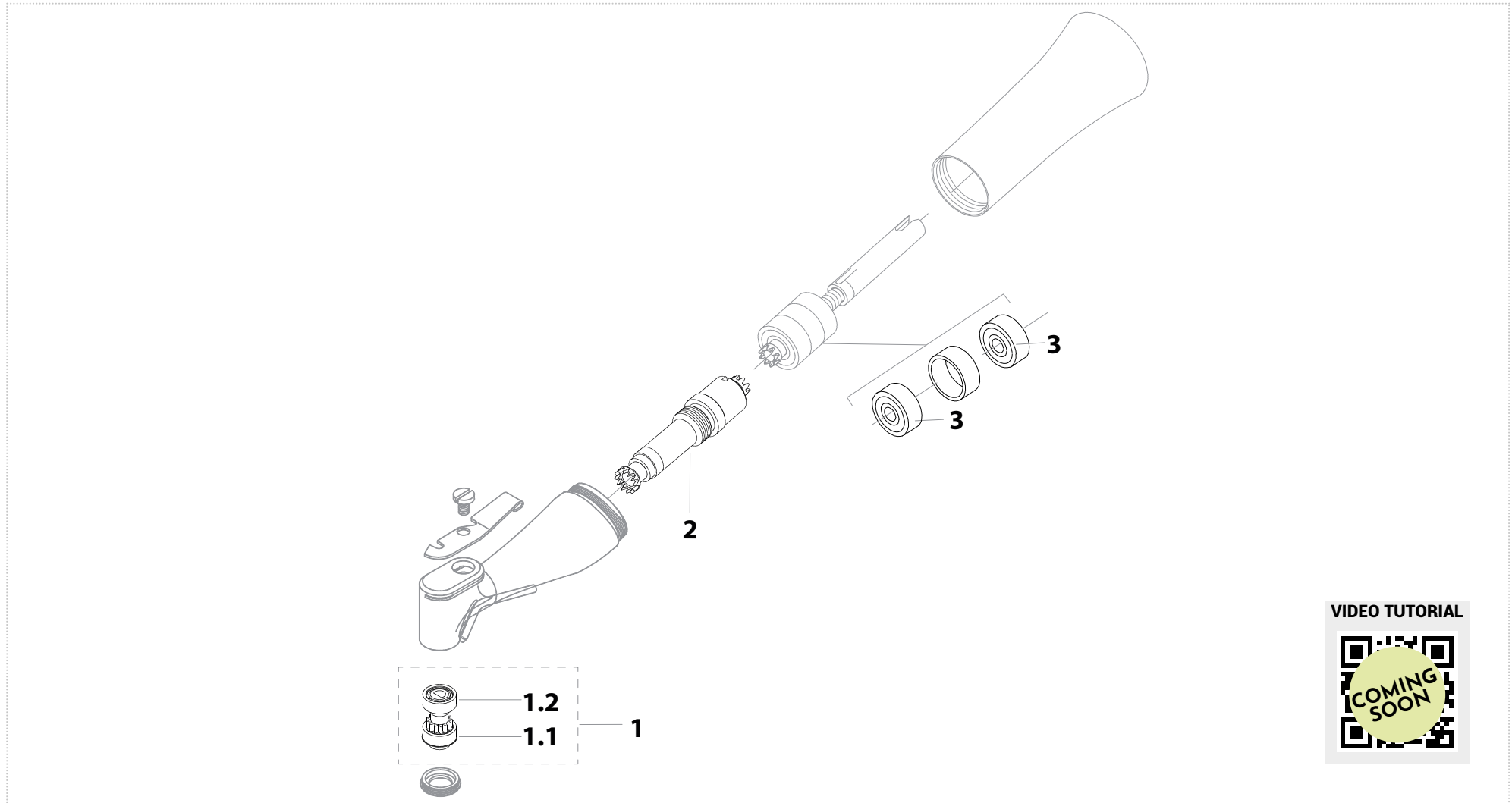


| 1.1 - 1.2 | | | | | | |
|----------------------|---------------------|-------|-------|---------|--------|--------|
| Bearing | Size d.i./d.e/h(mm) | Cage | Balls | Contact | Brand | Type |
| Order code CU68PK | 4 X 7 X 2 | Steel | Steel | Radial | Myonic | Smooth |

| RELATED PRODUCTS | | | | | |
|---|---|---|---|---|---|
|  |  |  |  |  |  |
| Push button key | Middle shaft key | Terminal ring | Fits for spindle | Fits for angle | Lubrication |
| Order code KIV835B | KW56E | KW5699E | CL5.001V | LIV1013 | Ivory® Silk Oil OL101S |

W&H® WD-58/EM Contra-angle blue ring

CONTRA-ANGLES








VIDEO TUTORIAL



W&H® WD-58/EM

Contra-angle blue ring

| | | | | | |
|-------------------|---|---|---|---|--|
| |  |  |  |  |  |
| | 1 | 1.1 | 1.2 | 2 | 3 |
| | Complete rotor | Bearing type (burs side) | Bearing type (push side) | Driving shaft | Shaft bearing |
| Order code | 030TM2500 | CU68PK | CU68PK | 0340TM3500 | CM328 |

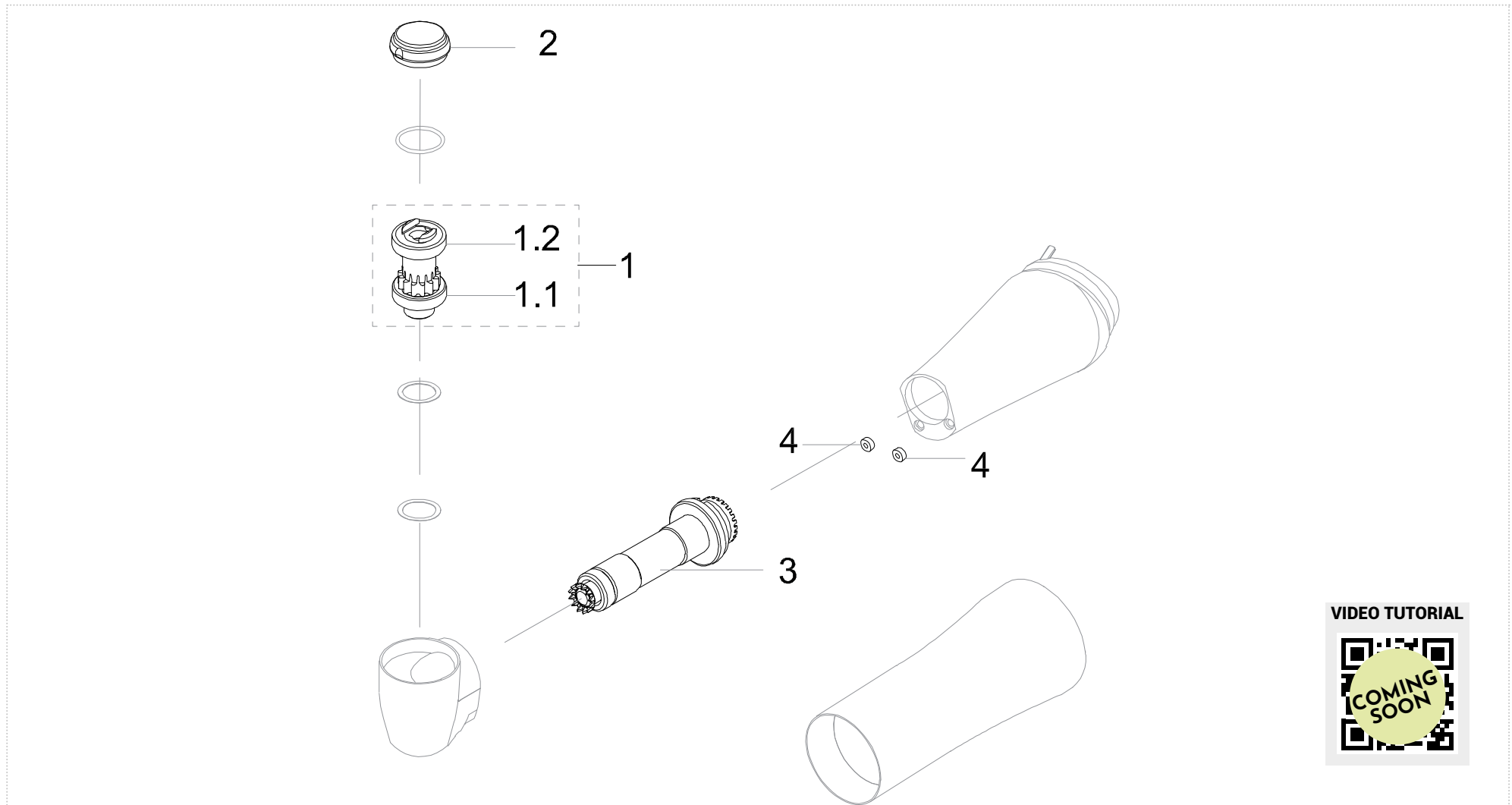
| 1.1 - 1.2 - 3 | | | | | | | |
|-------------------|---------|--------------------|-------|-------|---------|-----------------|--------|
| | Bearing | Size d.i/d.e/h(mm) | Cage | Balls | Contact | Brand | Type |
| Order code | CU68PK | 4 X 7 X 2 | Steel | Steel | Radial | Myonic | Smooth |
| | CM328 | 3 X 10 X 4 | Steel | Steel | Radial | Tecnomed Italia | Smooth |

RELATED PRODUCTS

| | | | |
|-------------------|---|---|---|
| |  |  |  |
| | Fits for spindle | Fits for angle | Lubrication |
| Order code | CL5.001V | LIV1013 | Ivory® Silk Oil OL101S |

W&H® WE-66 A Contra-angle blue ring

CONTRA-ANGLES



VIDEO TUTORIAL



W&H® WE-66 A

Contra-angle blue ring

| | | | | | | |
|------------|---|---|---|---|--|---|
| |  |  |  |  |  |  |
| | 1 | 1.1 | 1.2 | 2 | 3 | 4 |
| | Complete rotor | Bearing type (burs side) | Bearing type (push side) | Push button | Driving shaft | Head o-ring |
| Order code | 0584TM3300 | CU68PK | CU68PK | 0584TM3800 | AVAILABLE ON REQUEST | 038TM11800 |



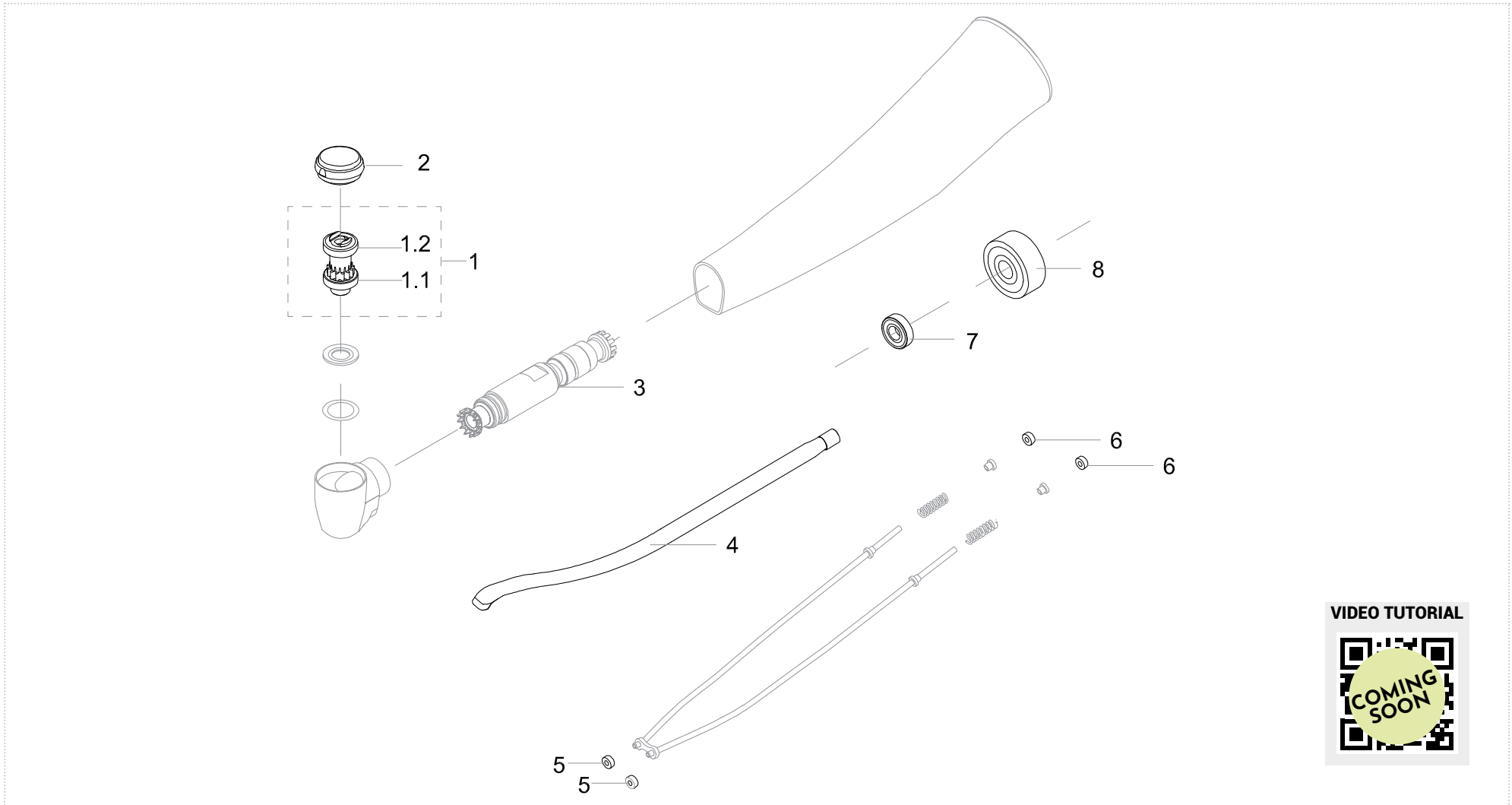
| 1.1 - 1.2 | | | | | | | |
|------------|---------|---------------------|-------|-------|---------|--------|--------|
| | Bearing | Size d.i./d.e/h(mm) | Cage | Balls | Contact | Brand | Type |
| Order code | CU68PK | 4 X 7 X 2 | Steel | Steel | Radial | Myonic | Smooth |

| RELATED PRODUCTS | | | |
|---|---|---|---|
|  |  |  |  |
| Push button key | Fits for spindle | Fits for angle | Lubrication |
| Order code | KIV835B | CL5.001V | LIV1013 Ivory® Silk Oil OL101S |

W&H® SYNEA FUSION WG-66 LT (OLD MODEL)

Contra-angle blue ring

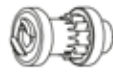









CONTRA-ANGLES







W&H® SYNEA FUSION WG-66 LT (OLD MODEL)

Contra-angle blue ring

CONTRA-ANGLES

| | | | | | | | | | | |
|---|---|---|---|---|---|---|---|---|---|-------|
|  |  |  |  |  |  |  |  |  |  | |
| 1 | 1.1 | 1.2 | 2 | 3 | 4 | 5 | 6 | 7 | 8 | |
| Complete rotor | Bearing type (burs side) | Bearing type (push side) | Push button | Driving shaft | Glass road | Head o-ring | Body o-ring | Shaft bearing (front side) | Shaft bearing (rear side) | |
| Order code | AVAILABLE ON REQUEST | CU68PK | CN56W | PIV56LTN | AVAILABLE ON REQUEST | FO58500 | 038TM11800 | 038TM11800 | CM315 | CM328 |

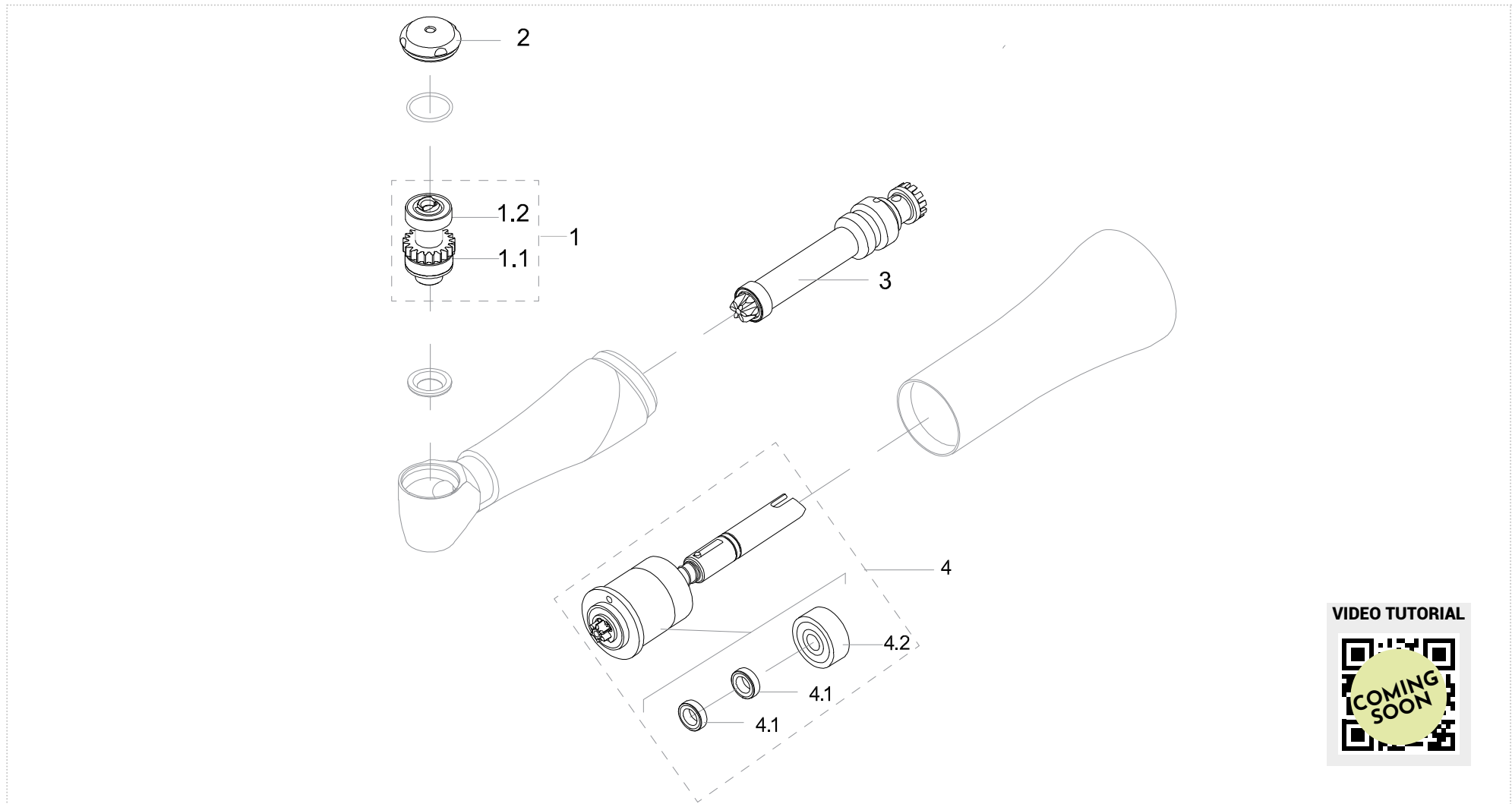
| 1.1 - 1.2 - 7 - 8 | | | | | | |
|-------------------|--------------------|-------|-------|---------|-----------------|--------|
| Bearing | Size d.i/d.e/h(mm) | Cage | Balls | Contact | Brand | Type |
| CU68PK | 4 X 7 X 2 | Steel | Steel | Radial | Myonic | Smooth |
| CN56W | 4 X 7 X 1,6 | Steel | Steel | Radial | Myonic | Smooth |
| CM315 | 3 X 7 X 2 | Steel | Steel | Radial | Tecnomed Italia | Smooth |
| CM328 | 3 X 10 X 4 | Steel | Steel | Radial | Tecnomed Italia | Smooth |

| RELATED PRODUCTS | | | |
|---|---|---|---|
|  |  |  |  |
| Push button key | Fits for spindle | Fits for angle | Lubrication |
| Order code | KW56G | CL5.001V | LIV1013 Ivory® Silk Oil OL101S |

W&H® WI-75 E/KM - WI-75 LED G OLD

Contra-angle green ring

CONTRA-ANGLES



VIDEO TUTORIAL








W&H® WI-75 E/KM - WI-75 LED G OLD

Contra-angle green ring

CONTRA-ANGLES

| | | | | | | | | |
|------------|---|---|---|---|--|---|---|---|
| |  |  |  |  |  |  |  |  |
| | 1 | 1.1 | 1.2 | 2 | 3 | 4 | 4.1 | 4.2 |
| | Complete rotor | Bearing type (burs side) | Bearing type (push side) | Push button | Driving shaft | Lower shaft | Bearing type (burs side) | Bearing type (push side) |
| Order code | 0510TM1300 | CU68PK | CU68PK | 049TM40500 | 0466TM7600 | 537TM3800 (ONLY LED G MODEL) | CU68PK | CM328 |

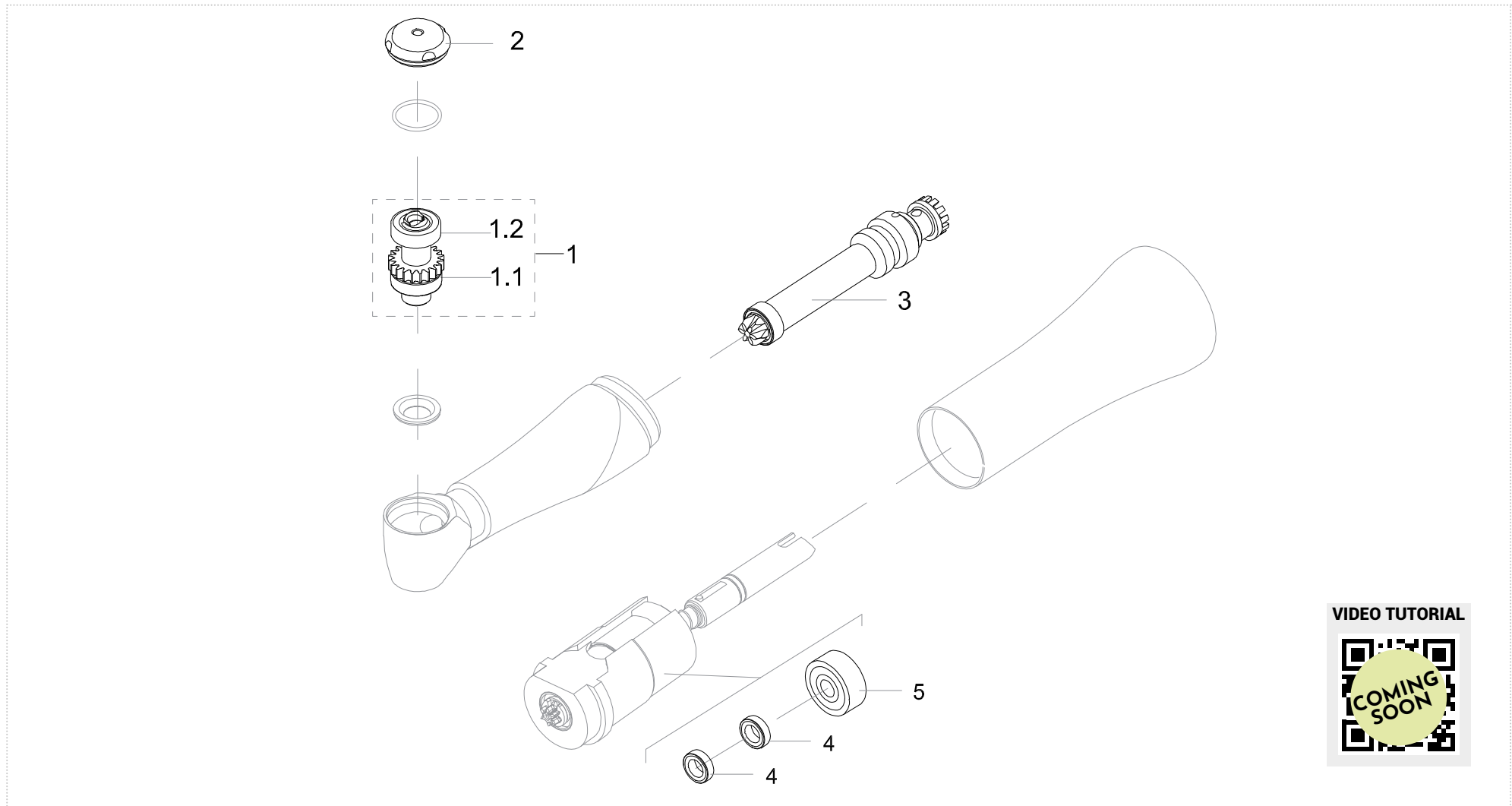
| 1.1 - 1.2 - 4.1 - 4.2 | | | | | | | |
|-----------------------|---------|--------------------|-------|-------|---------|-----------------|--------|
| | Bearing | Size d.i/d.e/h(mm) | Cage | Balls | Contact | Brand | Type |
| Order code | CU68PK | 4 X 7 X 2 | Steel | Steel | Radial | Myonic | Smooth |
| | CM328 | 3 X 10 X 4 | Steel | Steel | Radial | Tecnomed Italia | Smooth |

| RELATED PRODUCTS | | | | |
|---|---|---|---|---|
|  |  |  |  |  |
| Push button key | Middle shaft key | Fits for spindle | Fits for angle | Lubrication |
| Order code | KIV0025B | IK111 | CL5.001V | LIV1013 Ivory® Silk Oil OL101S |

W&H® WI-75 E/KM - WI-75 LED G NEW

Contra-angle green ring

CONTRA-ANGLES










VIDEO TUTORIAL



W&H® WI-75 E/KM - WI-75 LED G NEW

Contra-angle green ring

CONTRA-ANGLES

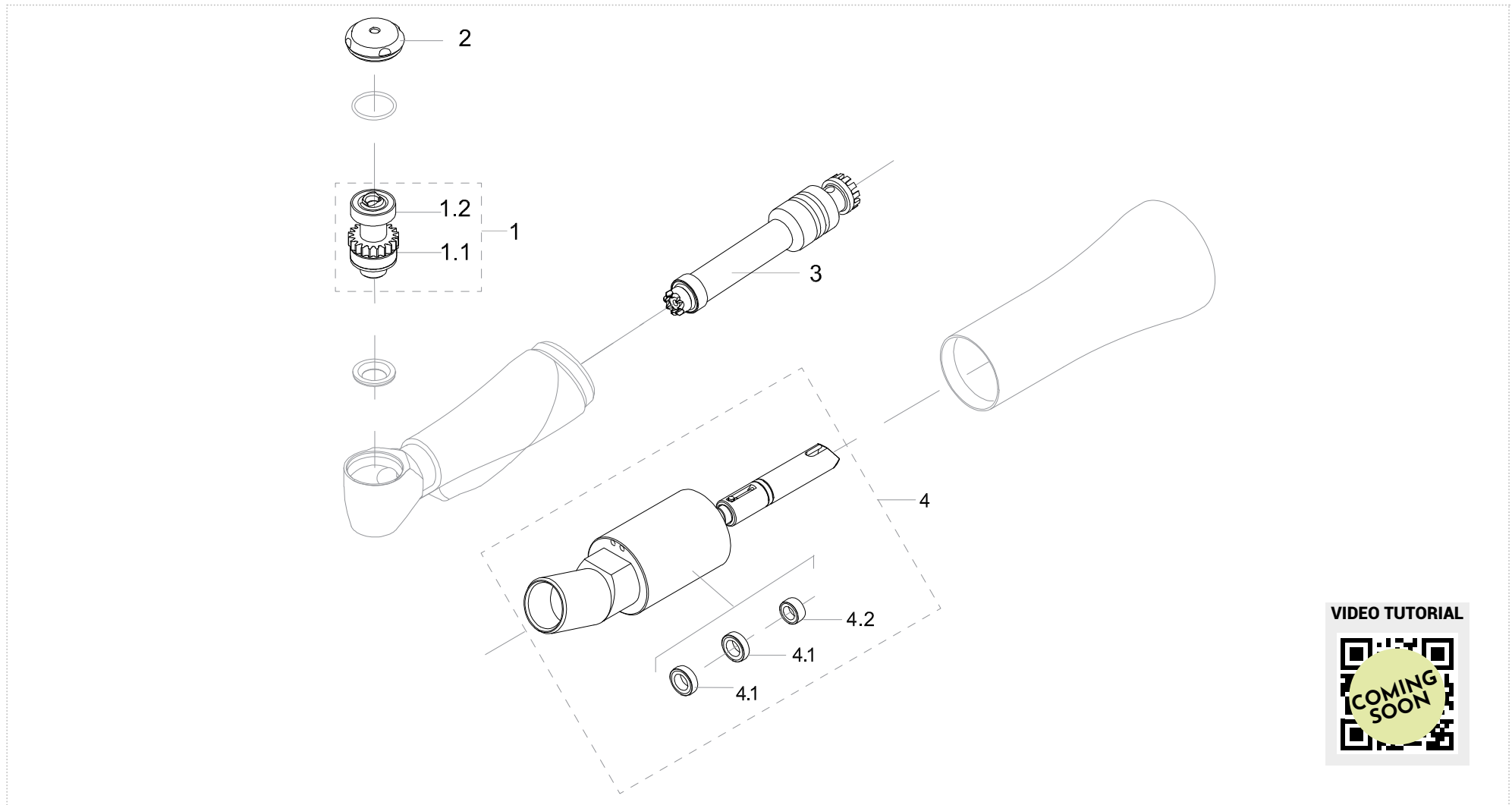
| | | | | | | | |
|---|---|---|---|--|---|---|-------|
|  |  |  |  |  |  |  | |
| 1 | 1.1 | 1.2 | 2 | 3 | 4 | 5 | |
| Complete rotor | Bearing type (burs side) | Bearing type (push side) | Push button | Driving shaft | Bearing type (burs side) | Bearing type (push side) | |
| Order code | 0493TM9900 | CU68PK | CU68PK | 049TM40500 | 0466TM7600 | CU68PK | CM328 |

| 1.1 - 1.2 - 4 - 5 | | | | | | | |
|-------------------|---------------------|-----------|-------|---------|-----------------|--------|--------|
| Bearing | Size d.i./d.e/h(mm) | Cage | Balls | Contact | Brand | Type | |
| Order code | CU68PK | 4 X 7 X 2 | Steel | Steel | Radial | Myonic | Smooth |
| CM328 | 3 X 10 X 4 | Steel | Steel | Radial | Tecnomed Italia | Smooth | |

| RELATED PRODUCTS | | | | | |
|---|---|---|---|---|------------------------|
|  |  |  |  |  | |
| Push button key | Middle shaft key | Fits for spindle | Fits for angle | Lubrication | |
| Order code | KIV0025B | IK111 | CL5.001V | LIV1013 | Ivory® Silk Oil OL101S |

W&H® WS-75 LED G Contra-angle green ring

CONTRA-ANGLES







VIDEO TUTORIAL



W&H® WS-75 LED G

Contra-angle green ring

CONTRA-ANGLES

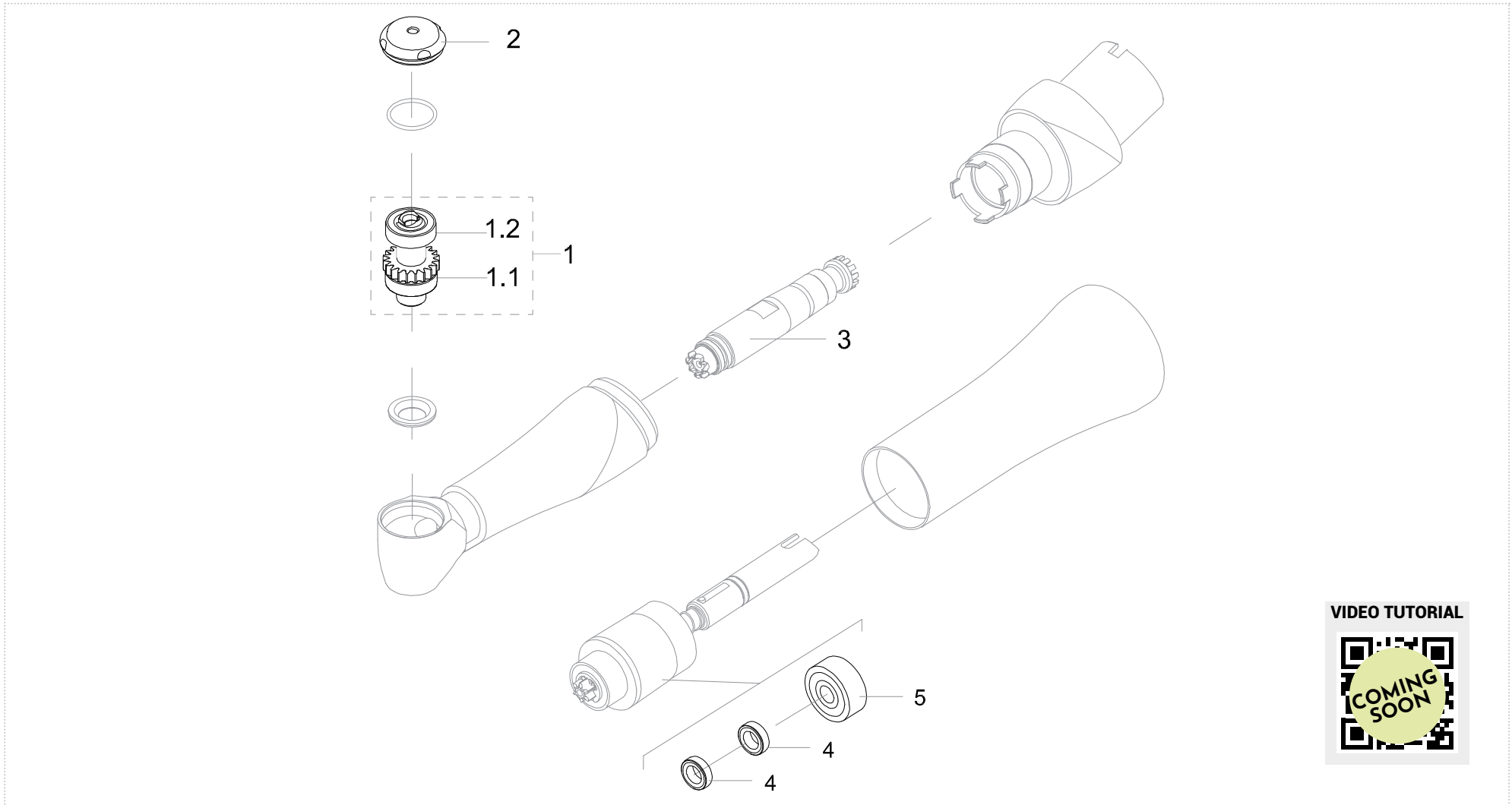
| | | | | | | | |
|---|---|---|---|--|---|---|---|
|  |  |  |  |  |  |  |  |
| 1 | 1.1 | 1.2 | 2 | 3 | 4 | 4.1 | 4.2 |
| Complete rotor | Bearing type (burs side) | Bearing type (push side) | Push button | Driving shaft | Lower shaft | Bearing type (burs side) | Bearing type (push side) |
| Order code 0510TM1300 | CU68PK | CU68PK | 049TM40500 | 0602TM5100 | 602TM5400 | CU68PK | CM311 |

| 1.1 - 1.2 - 4.1 - 4.2 | | | | | | | |
|-----------------------|--------------------|-------|-------|---------|-----------------|--------|--|
| Bearing | Size d.i/d.e/h(mm) | Cage | Balls | Contact | Brand | Type | |
| Order code CU68PK | 4 X 7 X 2 | Steel | Steel | Radial | Myonic | Smooth | |
| CM311 | 3 X 6 X 2 | Steel | Steel | Radial | Tecnomed Italia | Smooth | |

| RELATED PRODUCTS | | | |
|---|---|---|---|
|  |  |  |  |
| Push button key | Fits for spindle | Fits for angle | Lubrication |
| Order code KIV0025B | CL5.001V | LIV1013 | Ivory® Silk Oil OL101S |

W&H® WS-75 E/KM NEW Contra-angle green ring

CONTRA-ANGLES










VIDEO TUTORIAL



W&H® WS-75 E/KM NEW

Contra-angle green ring

| | | | | | | | |
|------------|---|---|---|---|--|---|---|
| |  |  |  |  |  |  |  |
| | 1 | 1.1 | 1.2 | 2 | 3 | 4 | 5 |
| | Complete rotor | Bearing type (burs side) | Bearing type (push side) | Push button | Driving shaft | Bearing type (burs side) | Bearing type (push side) |
| Order code | 0493TM9900 | CU68PK | CU68PK | 049TM40500 | 0401TM6900 | CU68PK | CM328 |

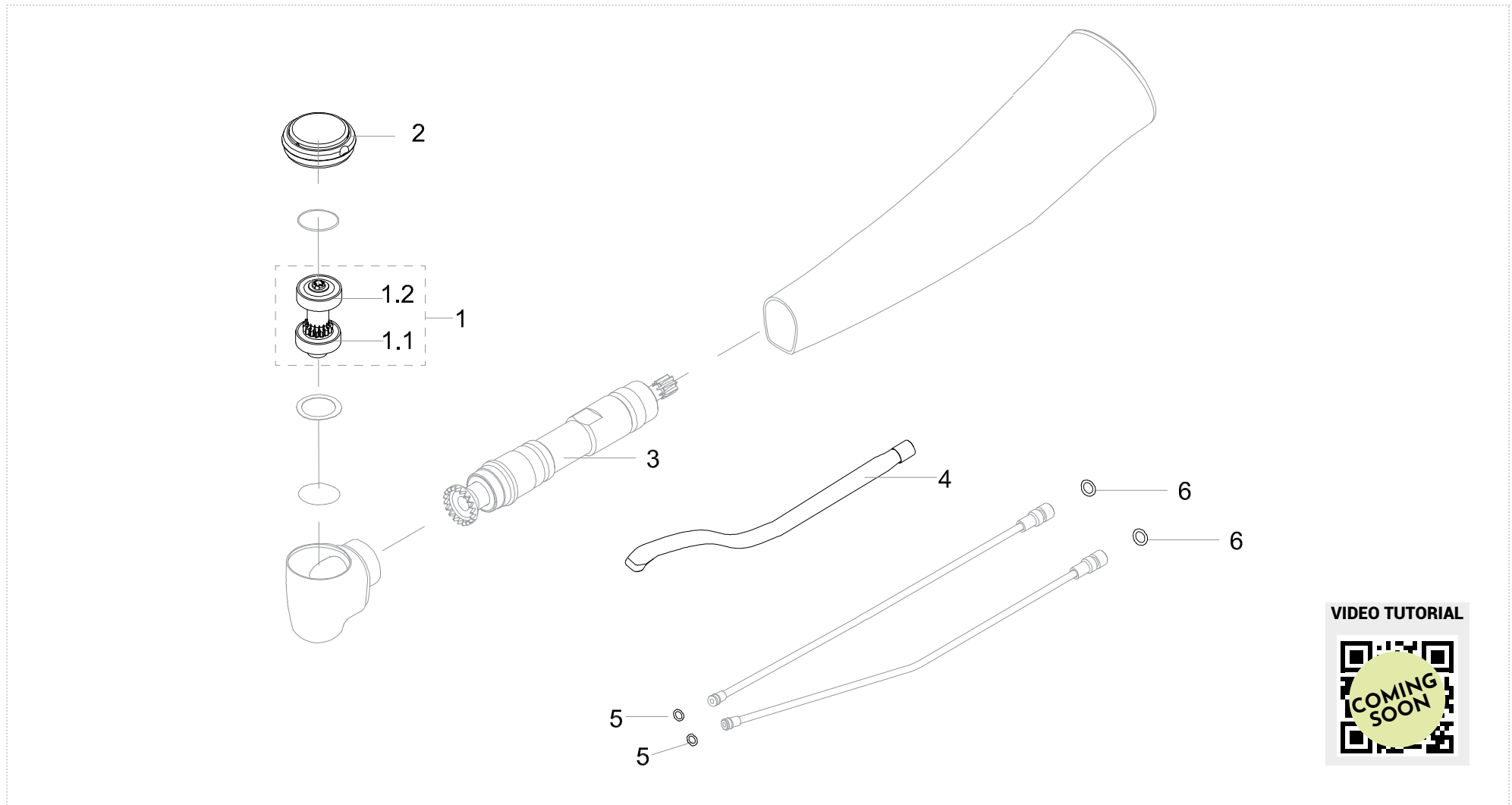
| 1.1 - 1.2 - 4 - 5 | | | | | | | |
|-------------------|---------|---------------------|-------|-------|---------|-----------------|--------|
| | Bearing | Size d.i./d.e/h(mm) | Cage | Balls | Contact | Brand | Type |
| Order code | CU68PK | 4 X 7 X 2 | Steel | Steel | Radial | Myonic | Smooth |
| | CM328 | 3 X 10 X 4 | Steel | Steel | Radial | Tecnomed Italia | Smooth |

| RELATED PRODUCTS | | | | | |
|---|---|---|---|---|------------------------|
|  |  |  |  |  | |
| Push button key | Middle shaft key | Fits for spindle | Fits for angle | Lubrication | |
| Order code | KIV0025B | IK111 | CL5.001V | LIV1013 | Ivory® Silk Oil OL101S |

W&H® SYNEA FUSION WG-99LT NEW

Contra-angle red ring







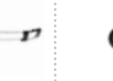

CONTRA-ANGLES



W&H® SYNEA FUSION WG-99LT NEW

Contra-angle red ring

CONTRA-ANGLES

| | | | | | | | | |
|---|---|---|---|---|---|---|---|------------|
|  |  |  |  |  |  |  |  | |
| 1 | 1.1 | 1.2 | 2 | 3 | 4 | 5 | 6 | |
| Complete rotor | Bearing type (burs side) | Bearing type (push side) | Push button | Driving shaft | Glass road | Head o-ring | Body o-ring | |
| Order code | 074TM73400 | CM378 | CM378 | 743TM500 | AVAILABLE ON REQUEST | F084600 | 064TM760 | 1003TM4929 |

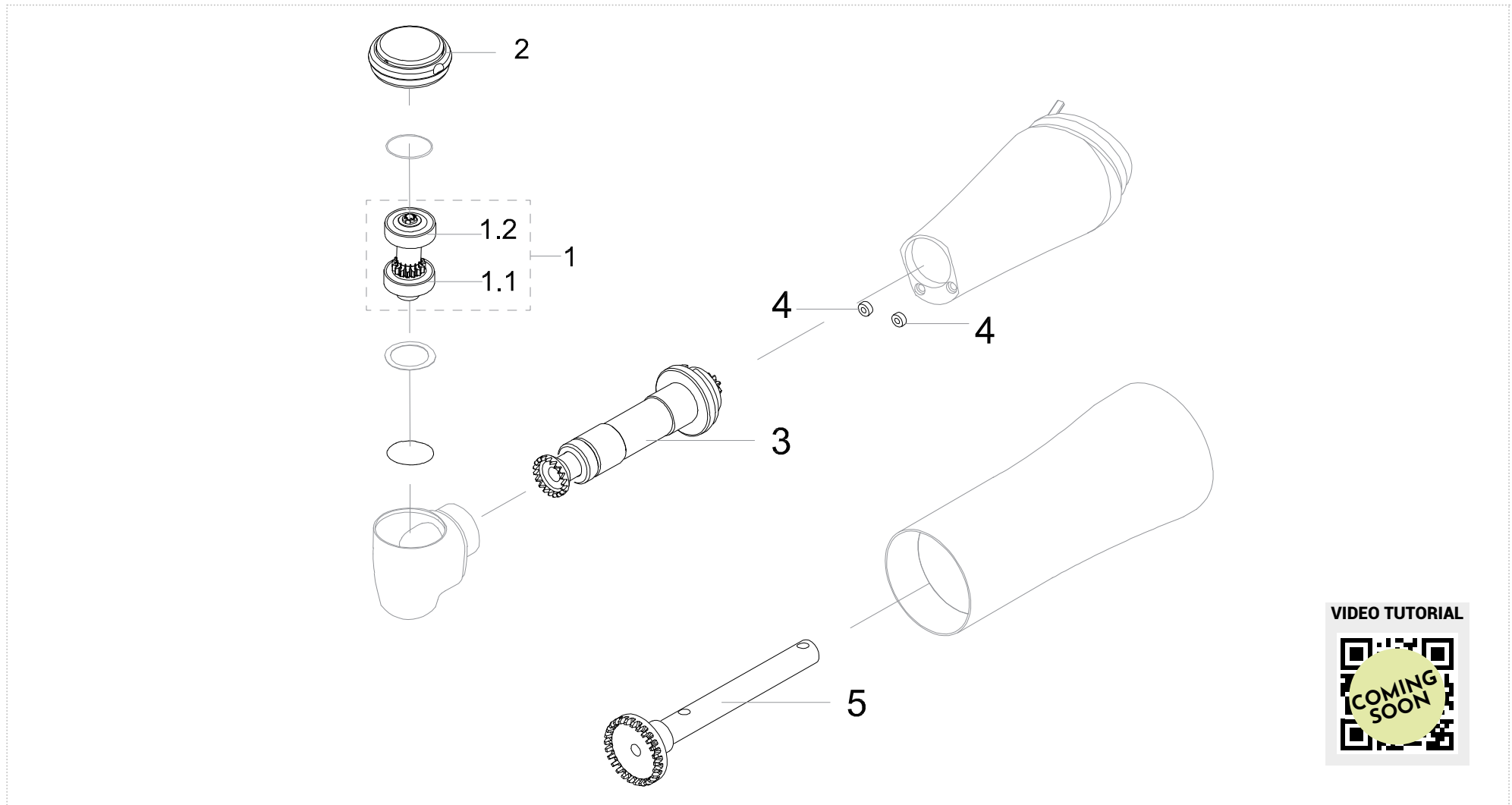
| 1.1 - 1.2 | | | | | | | |
|------------|--------------------|-----------------|--------|---------|--------|--------|--------|
| Bearing | Size d.i/d.e/h(mm) | Cage | Balls | Contact | Brand | Type | |
| Order code | CM378 | 3,4 X 6,5 X 1,6 | Torlon | Ceramic | Radial | Myonic | Smooth |

| RELATED PRODUCTS | | | | | | |
|---|---|---|---|---|---|------------------------|
|  |  |  |  |  |  | |
| Push button key | Middle shaft key | Terminal ring | Fits for spindle | Fits for angle | Lubrication | |
| Order code | KW99G | KW5699G | KW5699 | CL5.001V | LIV1013 | Ivory® Silk Oil OL101S |

W&H® WE-99 A/LED G

Contra-angle red ring








CONTRA-ANGLES



VIDEO TUTORIAL



W&H® WE-99 A/LED G Contra-angle red ring

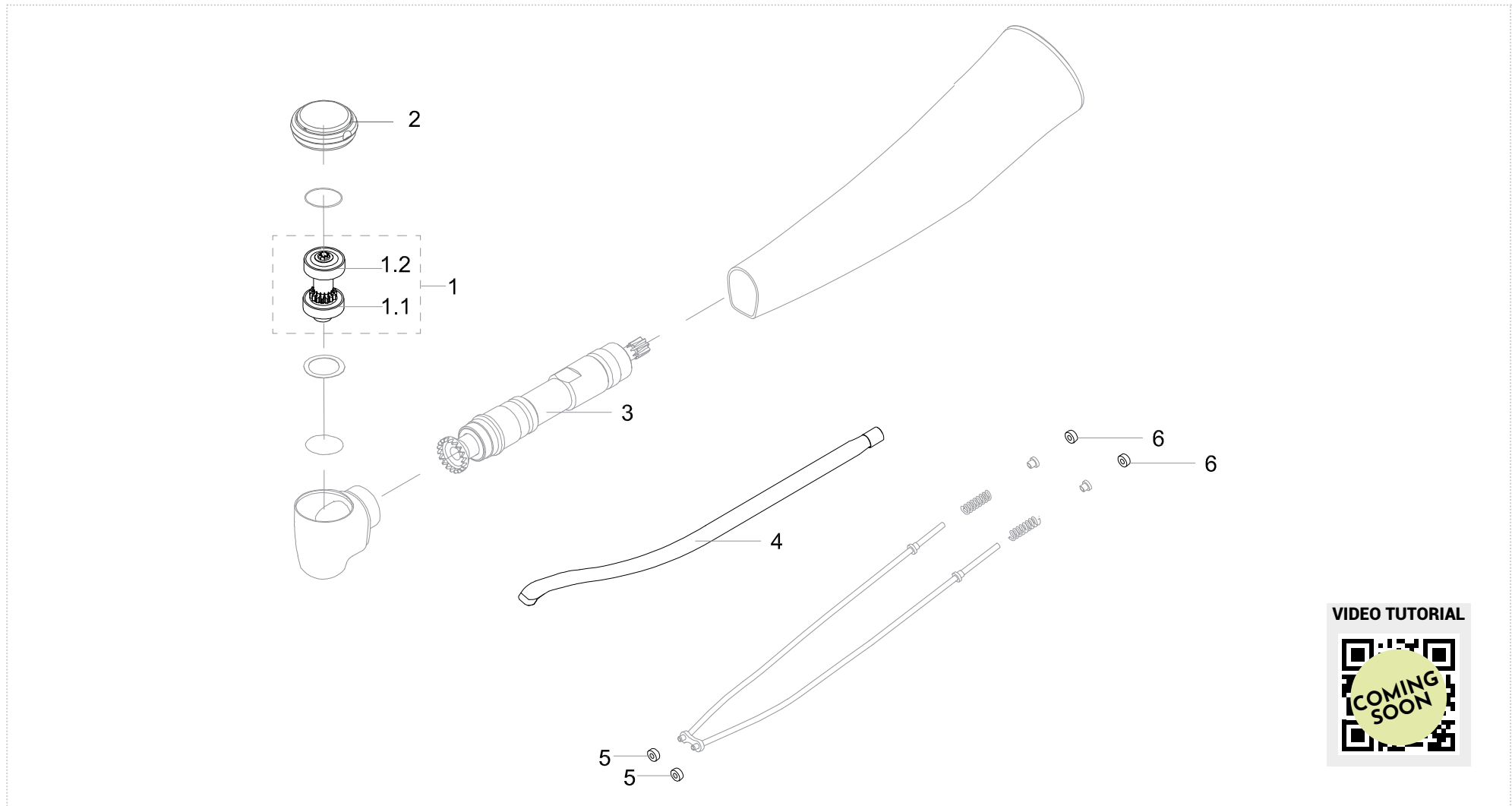
| | | | | | | | |
|------------|---|---|---|---|---|---|---|
| |  |  |  |  |  |  |  |
| | 1 | 1.1 | 1.2 | 2 | 3 | 4 | 5 |
| | Complete rotor | Bearing type (burs side) | Bearing type (push side) | Push button | Driving shaft | Head o-ring | Middle shaft |
| Order code | 584TM610 | SB200W | SB200W | 584TM600 | 584TM550 | 038TM11800 | 529TM000 |

| 1.1 - 1.2 | | | | | | | |
|------------|---------|--------------------|--------|---------|---------|--------|--------|
| | Bearing | Size d.i/d.e/h(mm) | Cage | Balls | Contact | Brand | Type |
| Order code | SB200W | 4 X 7 X 2 | Torlon | Ceramic | Angolar | Myonic | Smooth |

| RELATED PRODUCTS | | | | | |
|---|---|---|---|---|---|
|  |  |  |  |  |  |
| Push button key | Middle shaft key | Terminal ring | Fits for spindle | Fits for angle | Lubrication |
| Order code | KIV835B | KW56E | KW5699E | CL5.001V | LIV1013 Ivory® Silk Oil OL101S |

W&H® WA-99LT Contra-angle red ring









CONTRA-ANGLES







VIDEO TUTORIAL



W&H® WA-99LT Contra-angle red ring

| | | | | | | | | |
|------------|---|---|---|---|---|---|---|---|
| |  |  |  |  |  |  |  |  |
| | 1 | 1.1 | 1.2 | 2 | 3 | 4 | 5 | 6 |
| | Complete rotor | Bearing type (burs side) | Bearing type (push side) | Push button | Driving shaft | Glass road | Head o-ring | Body o-ring |
| Order code | 0522TM0300 | CM378 | CM378 | AVAILABLE ON REQUEST | AVAILABLE ON REQUEST | FO58500 | 038TM11800 | 038TM11800 |

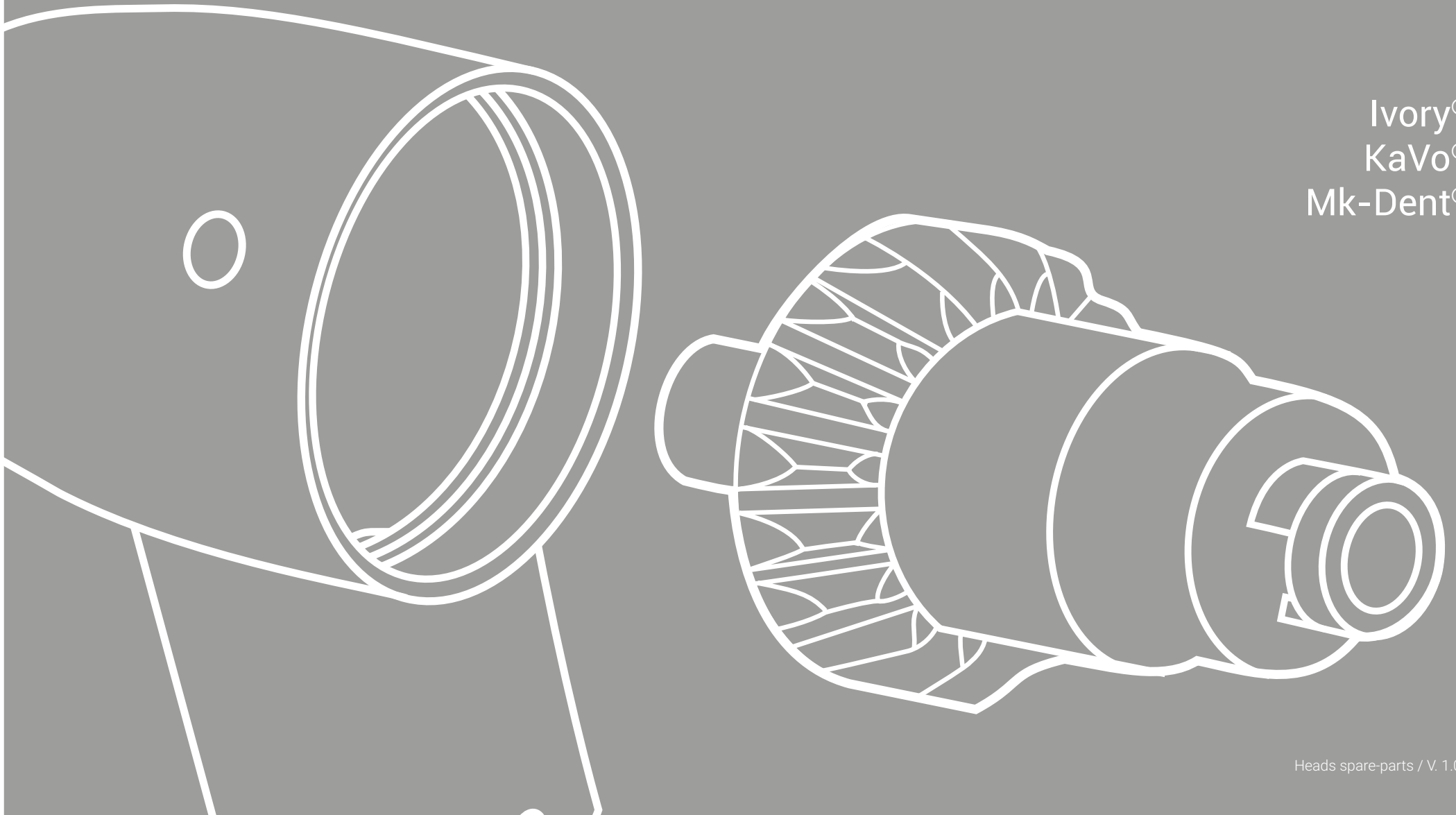
| 1.1 - 1.2 | | | | | | | |
|------------|---------|--------------------|--------|---------|---------|--------|--------|
| | Bearing | Size d.i/d.e/h(mm) | Cage | Balls | Contact | Brand | Type |
| Order code | CM378 | 3,4 X 6,5 X 1,6 | Torlon | Ceramic | Radial | Myonic | Smooth |

| RELATED PRODUCTS | | | |
|---|---|---|---|
|  |  |  |  |
| Push button key | Fits for spindle | Fits for angle | Lubrication |
| Order code | KW56G | CL5.001V | LIV1013 Ivory® Silk Oil OL101S |

RICAMBI PER TESTINE

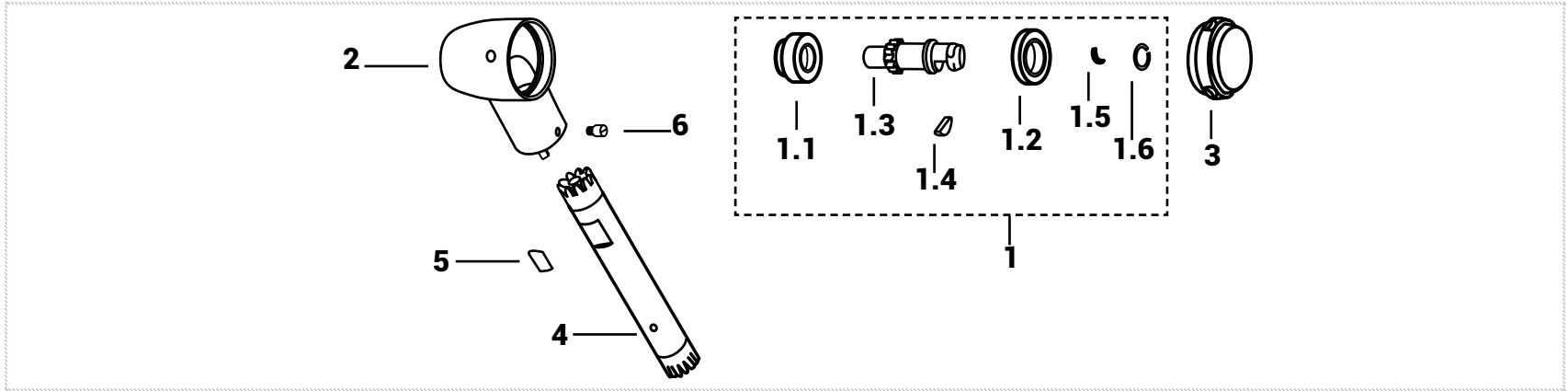
HEADS SPARE-PARTS

Ivory®
KaVo®
Mk-Dent®



Kavo® 68LH - Ivory® SL611C - Mk-Dent LS9011-LCH11 Head Blue Ring 1:1

HEAD



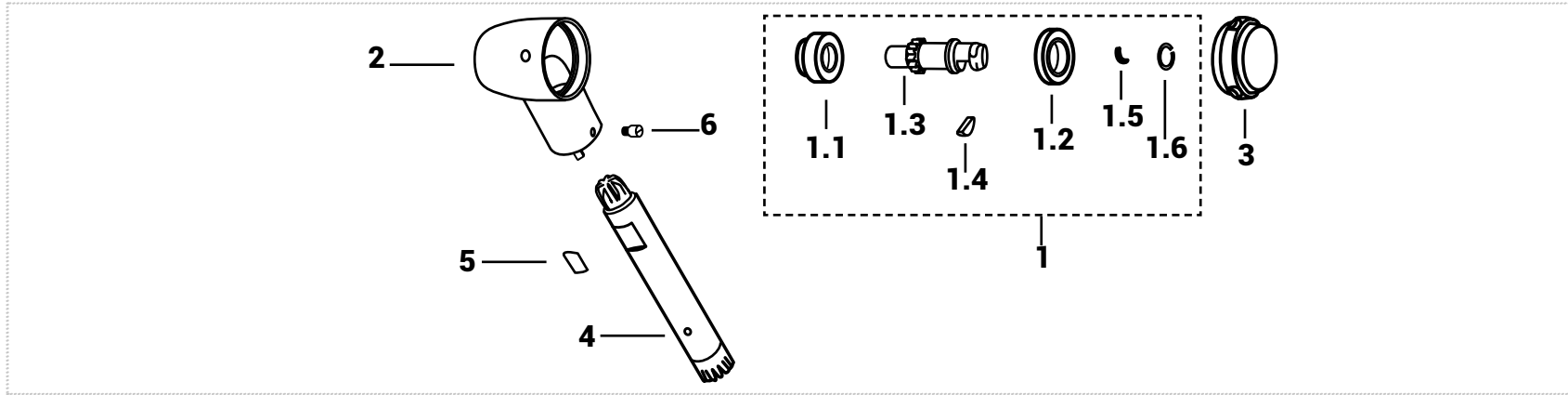
| | | | | | | | | | | | | |
|------------|----------------|--------------------------|--------------------------|-------------------------|---------|--------|-----------|---------|----------|---------------|--------|-------|
| | | | | | | | | | | | | |
| | 1 | 1.1 | 1.2 | 1.3 | 1.4 | 1.5 | 1.6 | 2 | 3 | 4 | 5 | 6 |
| | Complete rotor | Bearing type (burs side) | Bearing type (push side) | Rotore senza cuscinetti | Segment | Slide | Wire Ring | Head | Back cap | Driving shaft | Spring | Screw |
| Order code | K5403661 | CU68LH | CU68PK CU68PKG | K54N3661 | S68SG | K68SFK | M68M | K543631 | SL6.001K | KTR68 | L68L | VT55K |

| 1.1 - 1.2 | | | | | | | |
|------------|---------|---------------------|--------|-------|----------|--------|--------|
| Order code | Bearing | Size d.i./d.e/h(mm) | Gabbia | Bals | Contatto | Brand | Type |
| | CU68LH | 3X7X2.5/3.35 | Steel | Steel | Radial | Myonic | Smooth |
| | CU68PK | 4X7X2 | Steel | Steel | Radial | Myonic | Smooth |
| | CU68PKG | 4X7X2 | Steel | Steel | Radial | GRW | Smooth |

| RELATED PRODUCTS | | | | | |
|------------------|--------------------------|--------|----------|---------|------------------------|
| | | | | | |
| Order code | 1 mm slotted screwdriver | KIV460 | CL5.001V | LIV1013 | Ivory® Silk Oil OL101S |

Kavo® 67LH - Ivory® SL621C - Mk-Dent LS9021-LCH21 Head Green ring 2:1

HEAD



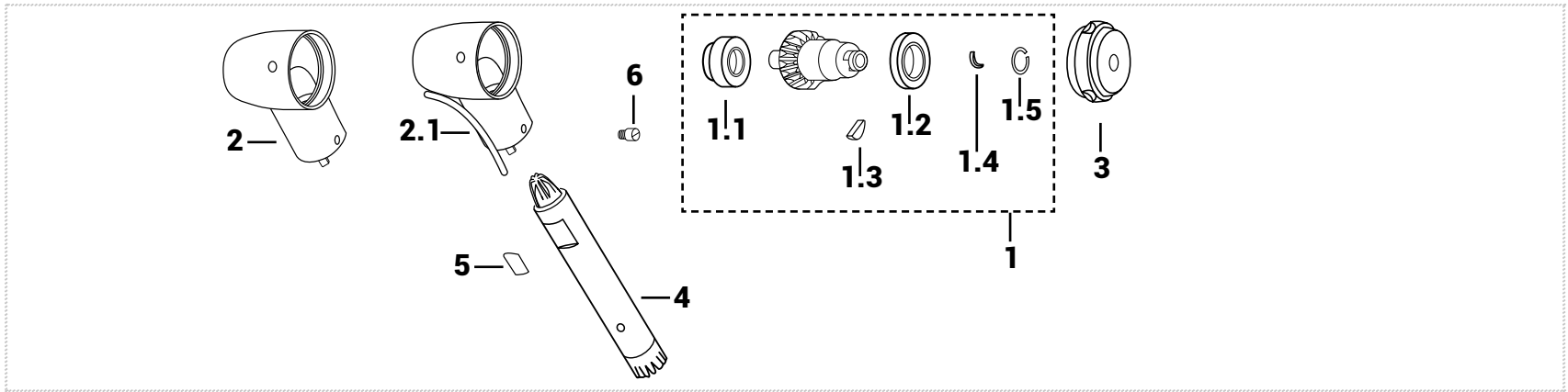
| | | | | | | | | | | | | |
|------------|----------------|--------------------------|--------------------------|-------------------------|---------|--------|-----------|-----------|----------|---------------|--------|-------|
| | | | | | | | | | | | | |
| | 1 | 1.1 | 1.2 | 1.3 | 1.4 | 1.5 | 1.6 | 2 | 3 | 4 | 5 | 6 |
| | Complete rotor | Bearing type (burs side) | Bearing type (push side) | Rotore senza cuscinetti | Segment | Slide | Wire Ring | Head | Back cap | Driving shaft | Spring | Screw |
| Order code | K5403231 | CU68LH | CU68PK CU68PKG | K54N3231 | S68SG | K68SFK | M68M | SIV046.62 | SL6.001K | KTR67 | L68L | VT55K |

| 1.1 - 1.2 | | | | | | | |
|------------|---------|--------------------|--------|-------|----------|--------|--------|
| Order code | Bearing | Size d.i/d.e/h(mm) | Gabbia | Bals | Contatto | Brand | Type |
| | CU68LH | 3X7X2.5/3.35 | Steel | Steel | Radial | Myonic | Smooth |
| | CU68PK | 4X7X2 | Steel | Steel | Radial | Myonic | Smooth |
| | CU68PKG | 4X7X2 | Steel | Steel | Radial | GRW | Smooth |

| RELATED PRODUCTS | | | | | |
|------------------|--------------------------|--------|----------|---------|------------------------|
| | | | | | |
| Order code | 1 mm slotted screwdriver | KIV460 | CL5.001V | LIV1013 | Ivory® Silk Oil OL101S |

Kavo® C3 - CL3 - Ivory® SL631C Head Green Ring 3:1

HEAD



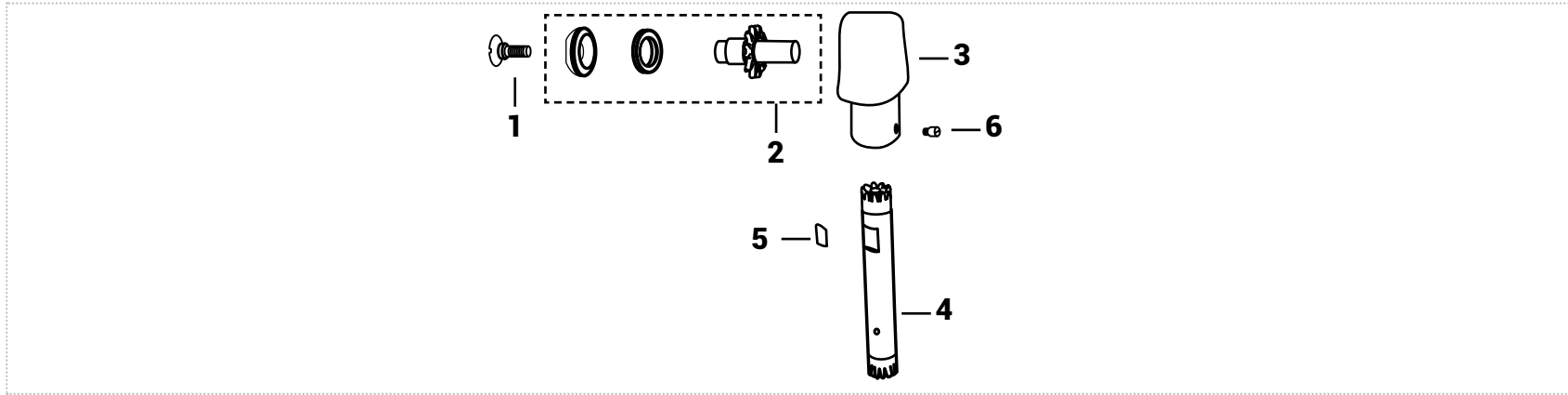
| | | | | | | | | | | | | |
|------------|----------------|--------------------------|--------------------------|---------|--------|-----------|-------------------|----------------------|-------------------|---------------|--------|-------|
| | | | | | | | | | | | | |
| | 1 | 1.1 | 1.2 | 1.3 | 1.4 | 1.5 | 2 | 2.1 | 3 | 4 | 5 | 6 |
| | Complete rotor | Bearing type (burs side) | Bearing type (push side) | Segment | Slide | Wire Ring | Head CL3 - SL631C | Head C3 | Back cap complete | Driving shaft | Spring | Screw |
| Order code | K10N4490 | CU68LH | CM512 | S68SG | K68SFK | M68M | 100TM9257 | AVAILABLE ON REQUEST | K540486 | KTR33 | L68L | VT55K |
| | | CU68LH | CM512G | | | | | | | | | |

| 1.1 - 1.2 | | | | | | | |
|------------|---------|---------------------|--------|-------|----------|--------|--------|
| Order code | Bearing | Size d.i./d.e/h(mm) | Gabbia | Bals | Contatto | Brand | Type |
| | CU68LH | 3X7X2.5/3.35 | Steel | Steel | Radial | Myonic | Smooth |
| | CM512 | 5X8X2 | Steel | Steel | Radial | Myonic | Smooth |
| | CM512G | 5X8X2 | Steel | Steel | Radial | GRW | Smooth |

| | | | | |
|------------|--------|----------|---------|------------------------|
| | | | | |
| Order code | KIV460 | CL5.001V | LIV1013 | Ivory® Silk Oil OL101S |

Ivory® SL621P Head Blue Ring 1:1

HEAD

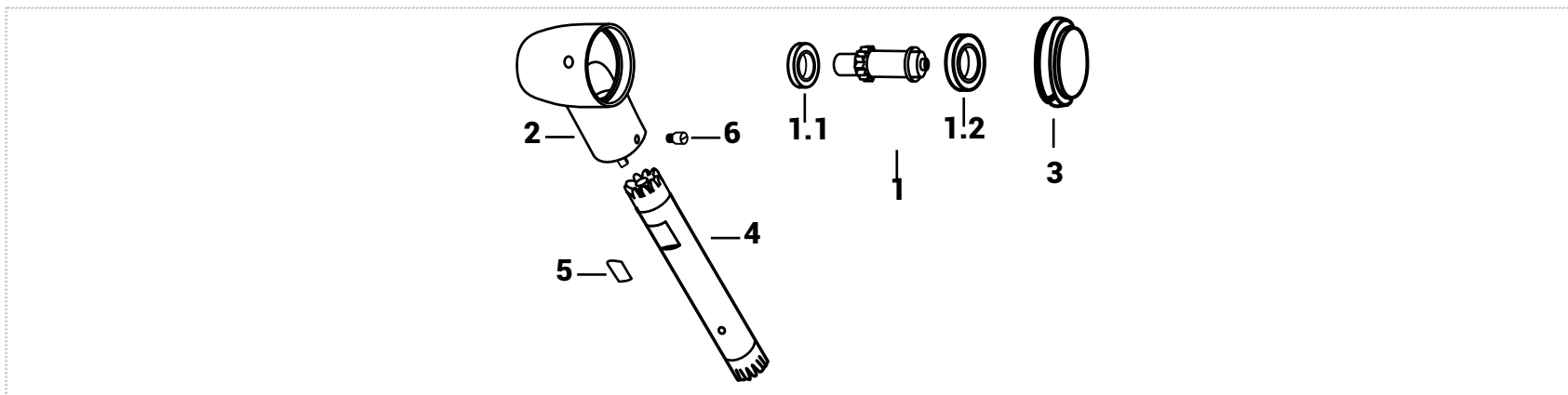


| | | | | | | |
|-------------------|---|---|---|---|---|---|
| |  |  |  |  |  |  |
| | 1 | 2 | 3 | 4 | 5 | 6 |
| | Threaded screw | Complete rotor | Head | Driving shaft | Spring | Screw |
| Order code | SIV050.3 | SIV050.2 | SIV050.0 | SIV050.1 | L68L | VT55K |

| RELATED PRODUCTS | | | |
|---|---|---|---|
|  |  |  |  |
| Key for screw | Fits for spindles | Fits for head | Lubrication |
| Order code | 1 mm slotted screwdriver | CL5.001V | LIV1013 |
| | | | Ivory® Silk Oil OL101S |

Ivory® SL680C Head Blue Ring 1:1

HEAD



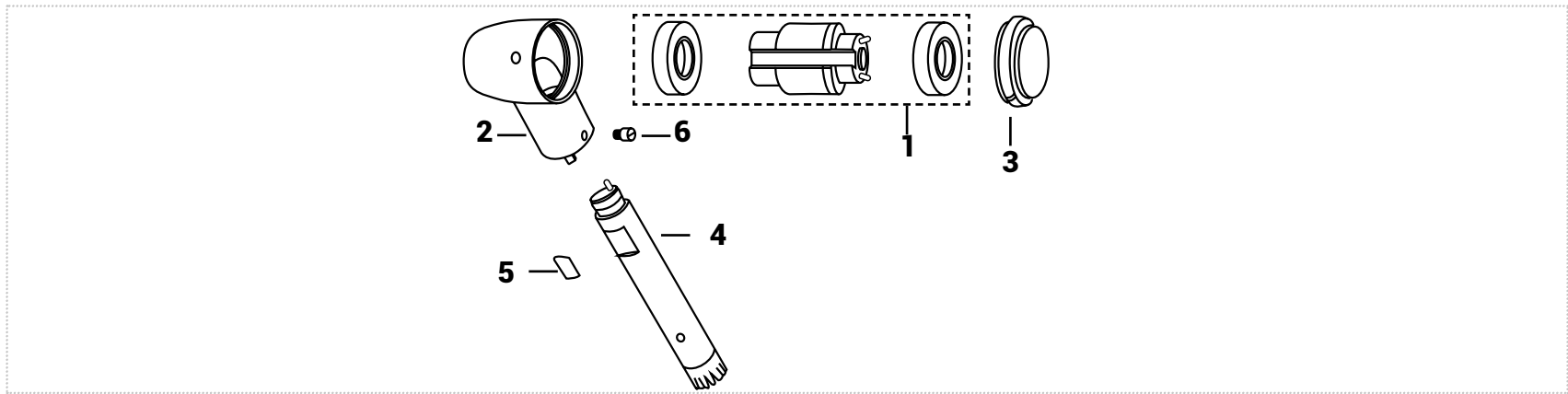
| | | | | | | | | |
|------------|----------------|--------------------------|--------------------------|----------|----------|---------------|--------|-------|
| | | | | | | | | |
| | 1 | 1.1 | 1.2 | 2 | 3 | 4 | 5 | 6 |
| | Complete rotor | Bearing type (burs side) | Bearing type (push side) | Head | Back cap | Driving shaft | Spring | Screw |
| Order code | SIV048.0 | CM311 CM311G | CU68PK CU68PKG | SIV048.1 | PIV048.0 | SIV048.2 | L68L | VT55K |

| 1.1 - 1.2 | | | | | | |
|-----------|---------------------|--------|-------|----------|------------------|--------|
| Bearing | Size d.i./d.e/h(mm) | Gabbia | Bals | Contatto | Brand | Type |
| CM311 | 3X6X2 | Steel | Steel | Radial | Tecnomed Italia® | Smooth |
| CU68PK | 4X7X2 | Steel | Steel | Radial | Myonic | Smooth |
| CM311G | 3X6X2 | Steel | Steel | Radial | GRW | Smooth |
| CU68PKG | 4X7X2 | Steel | Steel | Radial | GRW | Smooth |

| RELATED PRODUCTS | | | | | |
|------------------|-------------------------------|-------------------|---------------|-------------|------------------------|
| | | | | | |
| Key for screw | Back cap key | Fits for spindles | Fits for head | Lubrication | |
| Order code | 1 mm philips-head screwdriver | IK468 | CL5.001V | LIV1013 | Ivory® Silk Oil OL101S |

Ivory® SL653C Head Up/Down 0,4 mm

HEAD

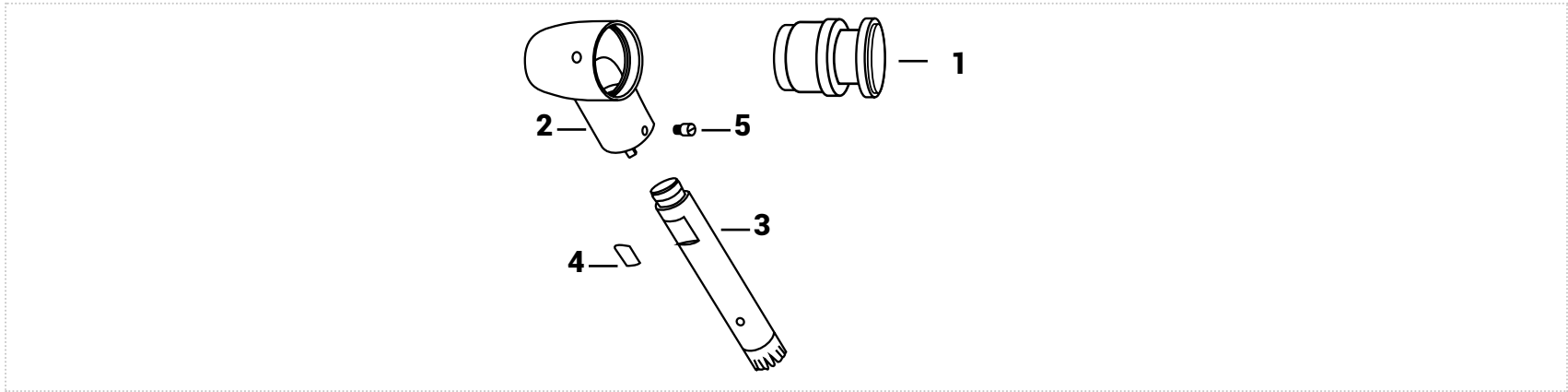





| | | | | | | |
|-------------------|---|---|---|---|--|---|
| |  |  |  |  |  |  |
| | 1 | 2 | 3 | 4 | 5 | 6 |
| | Complete rotor | Head | Push | Driving shaft | Spring | Screw |
| Order code | SIV052.0 | SIV052.1 | PIV052.0 | SIV052.2 | L68L | VT55K |

| RELATED PRODUCTS | | | | |
|---|---|---|---|---|
|  |  |  |  |  |
| Key for screw | Back cap key | Fits for spindles | Fits for head | Lubrication |
| Order code | 1 mm slotted screwdriver | IK467 | CL5.001V | LIV1013 |
| | | | | Ivory® Silk Oil OL101S |

Ivory® SL633Y Head Twist 60°

HEAD



| | | | | | |
|-------------------|---|---|---|--|---|
| |  |  |  |  |  |
| | 1 | 2 | 3 | 4 | 5 |
| | Complete rotor | Head | Driving shaft | Spring | Screw |
| Order code | SIV051.0 | SIV051.1 | SIV051.2 | L68L | VT55K |

| RELATED PRODUCTS | | | | |
|---|---|---|---|------------------------|
|  |  |  |  | |
| Key for screw | Fits for spindles | Fits for head | Lubrication | |
| Order code | 1 mm philips-head screw-driver | CL5.001V | LIV1013 | Ivory® Silk Oil OL101S |