



Good Light

Surgical Lights Line



Do you have problems seeing while working?



SURGICAL MULTILED
160,000 lux

ESACAM
60,000 lux
30x camera



What if you could work
like this?



WE PROVIDE THE LIGHT YOU NEED

Light. Without light there is no sight. Dentists and surgeons need good vision to carry out their work under conditions of optimal visual well-being and safety, so as to achieve high-quality results.

Good light is therefore essential for good vision. Add a healthy dose of innovation to this concept and the result is Tecnomed Italia's new surgical lights.

The lights are based on the very latest LEDs able to provide excellent lighting with very low energy consumption. They are therefore able to produce more light while heating less, doing away with those annoying shadow areas and offering a longer life than traditional lights. It is also possible to adjust not only the light intensity but, in some models, also the colour temperature. Light, quality and savings forge an unbreakable bond.

What if during an operation you need to see the details that are difficult with the human eye, to record and share directly from the light itself? Well, now you can.





TWO COMPREHENSIVE LINES

Tecnomed's range of surgical lamps is made up of two different lines that offer exceptional performance in terms of brightness and operation and which are therefore the ideal solution for any work need.

SURGICAL MULTILED LINE

The light par excellence. Ideal for modern operating theatres and outpatient clinics, indispensable for complicated surgeries such as maxillofacial where constant and consistent light is vital. Illuminates up to 300,000 lux in the double head version.

ESA LINE

From light to sharing. Ideal for dental practices and clinics, lighter than an operating light but brighter than the average competing lights. Simple and versatile, it is also available in the ESACAM version with built-in video camera. Illuminates up to 120,000 lux in the double head version.





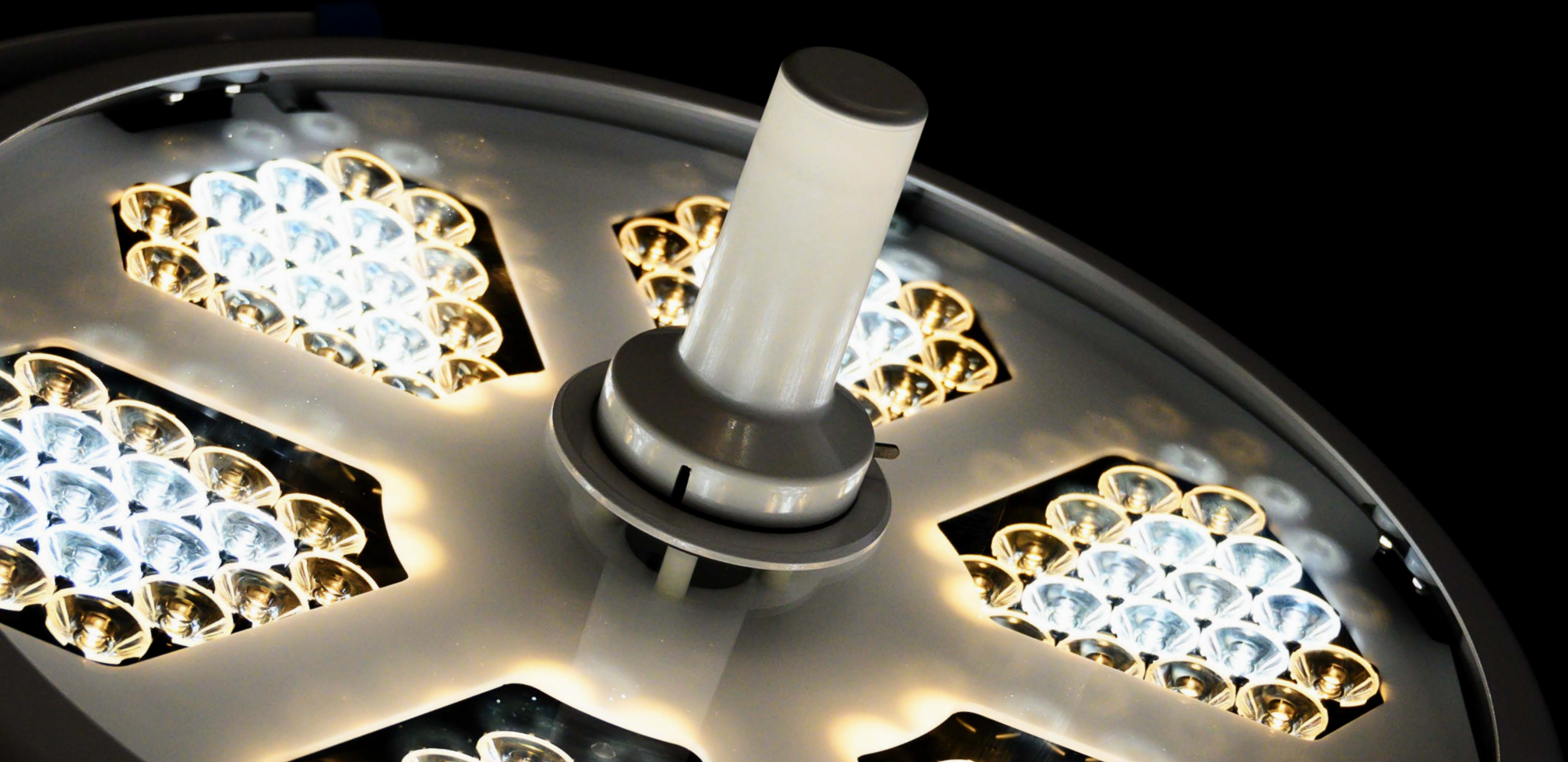
Do you want to view everything
in sunlight?



SURGICAL MULTILED
300,000 lux

Here's the solution

SURGICAL MULTILED LINE





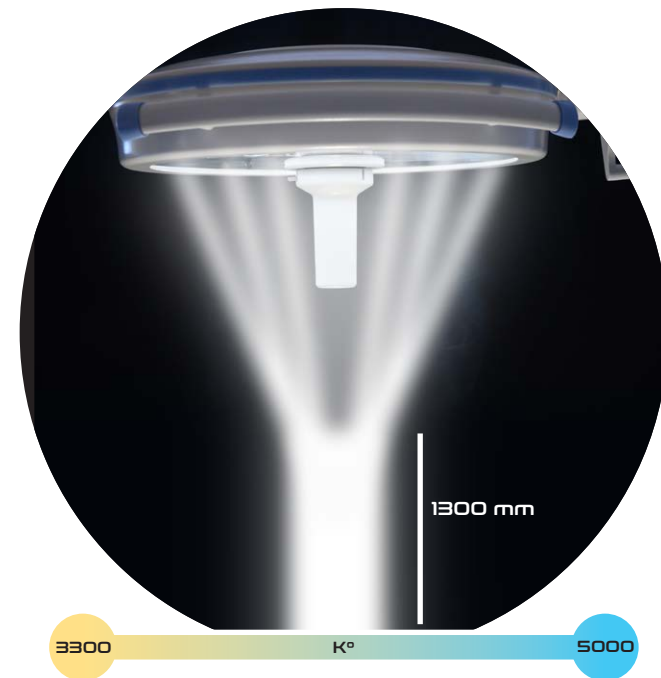
Illuminating



Our SURGICAL multiLED surgical lights offer excellent illumination for all dental and non-dental surgical needs. The functional and linear design, combined with a lightweight structure, make for unrivalled easy-to-handle lights. The suspension system with balanced articulated arm with 6 joints allows stable and precise positioning.



The SURGICAL multiLED models are equipped with a colour temperature compensation technology ranging from 3300 K° to 5000 K° and manual adjustment of the light intensity using the control panel. They are also equipped with the “Endo mode” function; that is the support light for endoscopy operations offering light intensity and colour temperature selection. The intensity can easily be seen on the v-meter bar located on the control panel. The total reflection optical system is made with CAD/CAM technology, its illumination depth is up to 1300 mm.



EASY MAINTENANCE

The list of advantages also includes simple cleaning, thanks to its fully sealed construction, and hassle-free maintenance. The lower part of the lighthead is made of anti-shock and disinfectant resistant material, which is durable and easy to clean. The handle can be detached and sterilised in an autoclave at 135°C.



CONTROL PANEL FUNCTIONS



• Decreases the light intensity



• Increases the light intensity



• For selecting the colour temperature from 3300 to 5000 k°



• Endo light function



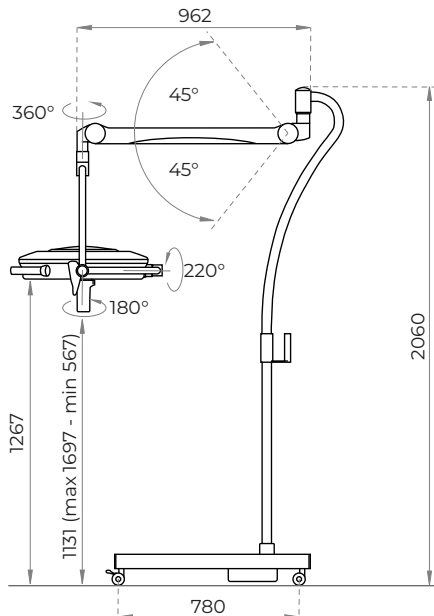
• On/Off

The models

ON STAND

- 140,000 Lux
- Ø reflector: 500 mm

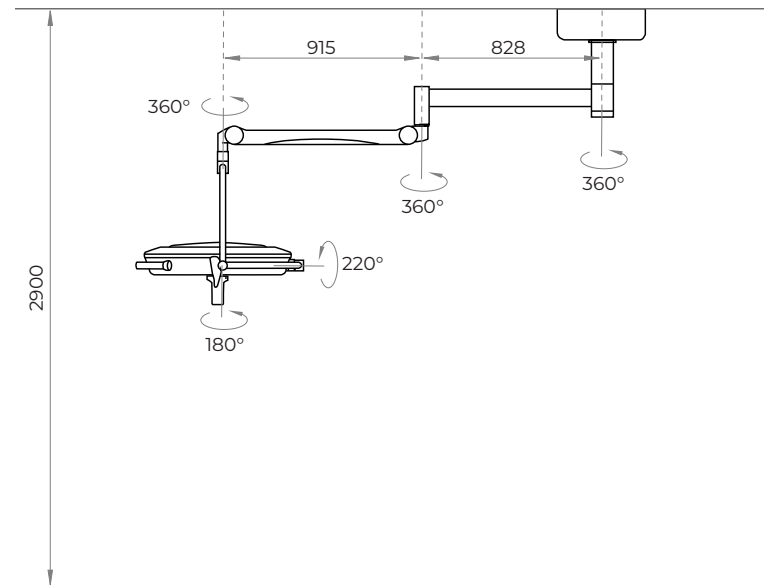
Code: **DE6.1215**



SINGLE HEAD

- 160,000 Lux
- Ø reflector: 700 mm

Code: **DE6.160**

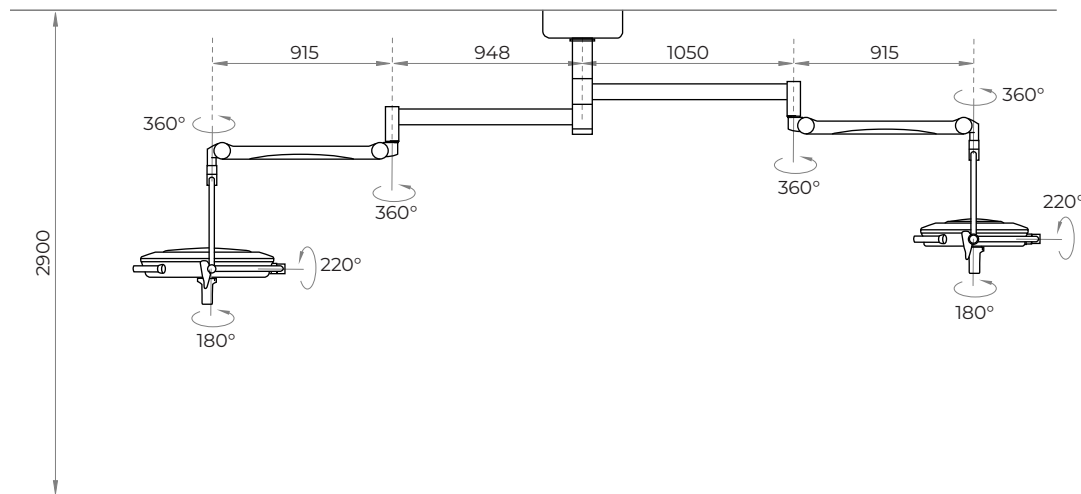




DOUBLE HEAD

- 300,000 Lux (140,000 + 160,000)
- Ø reflector: 500 + 700 mm

Code: **DE6.162**

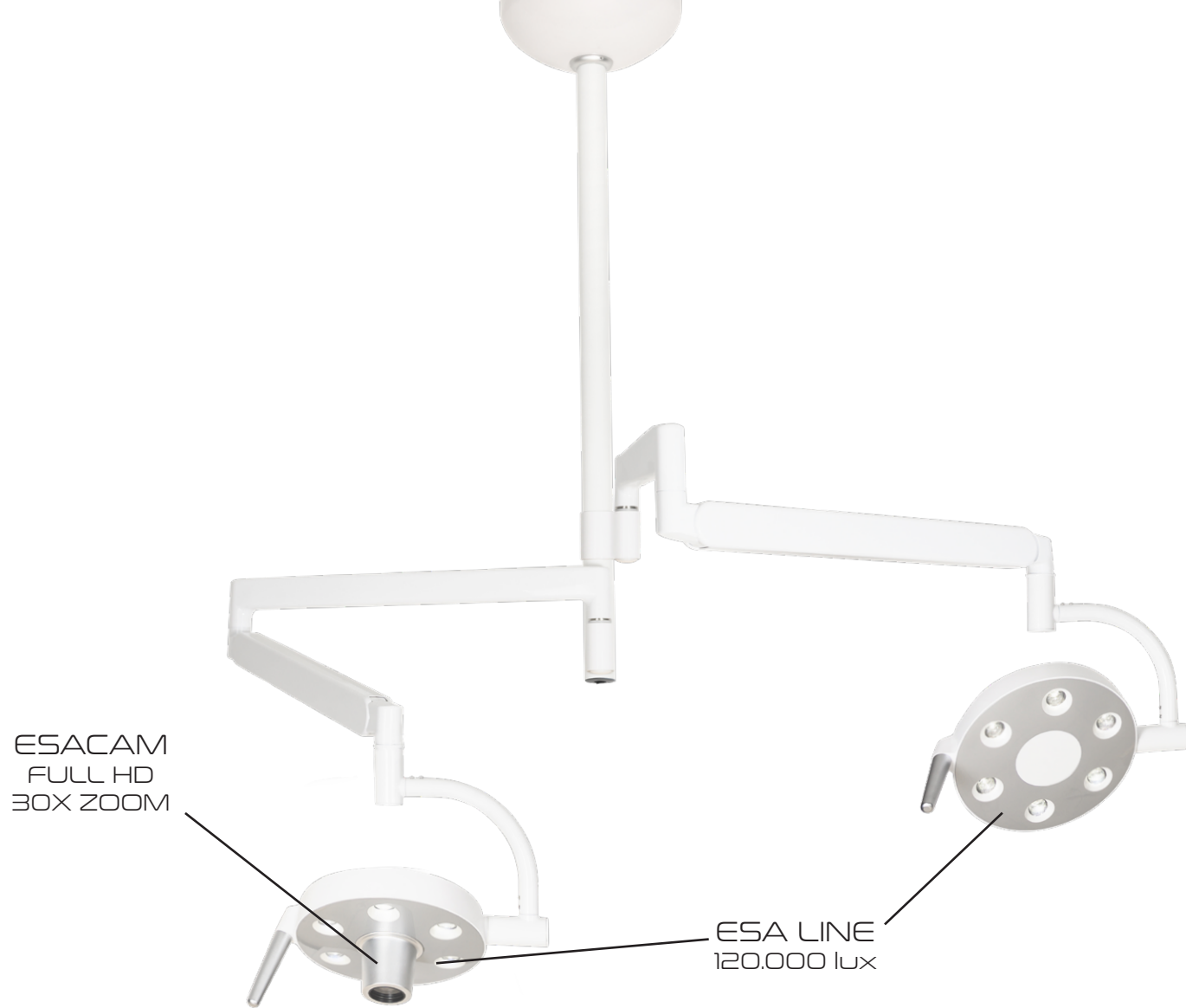


COMMON FEATURES OF SURGICAL MULTILED LIGHTS

- Colour temperature: from 3300 to 5000 k°
- Colour rendering index (Ra): >95
- Illumination depth: ≥ 1300 mm
- Total irradiance: 534/544 W/m²
- Bright field size: 250 ~ 300 mm
- LED bulb lifespan: 50,000 h
- Power supply: AC110-240v, 50/60Hz
- Total energy absorption: 60/140 W
- Installation height: from 2.7 to 3.3 metres
- Certification: (UE) 2017/745



Don't have the right tools to see the details?



Here's the solution

ESA LINE

ESALIGHT 2 - ESACAM





Multimedia light



Also in dentistry a light must be designed to minimise the shadow effect generated on the operating area by partial and/or intermittent covering by the operators who get between the light and the patient. However, nowadays it is not always possible in practices to install operating lights due to their size and weight. Looking for that perfect light that is lightweight and compact has led to the creation of the Esa Line, a range conceived, designed and developed for the needs of dental surgeries.



Esa Line is therefore mounted as a classic dental light on the ceiling or on a stand. It offers a criss-cross system of 6 or 12 LED technology light beams that cover an 100x200 mm light spot. Its brightness is higher than other similar lights and adapts to any treatment thanks to the adjustable light intensity from 8,000 to 60,000 Lux (up to 120,000 lux in the 2-head version).

The sensor, positioned near the handle, lets you turn on, turn off and adjust the intensity of the light without touching the light itself, making it both practical and hygienic.

The handle can be detached and sterilised in an autoclave at 135° for quick and effective cleaning.



TWO LIGHTS, INFINITE SOLUTIONS

The Esa Line consists of two lights: Esalight 2 and Esacam. Both lights have identical optical and structural data, what sets them apart is that Esacam has a built-in camera on the light itself. A solution that not only assists the dentist's view but opens up, as we will see later, new ways of working. Furthermore, the lights can be mounted on the ceiling or to the dental unit itself, on a single or double head (in this case it is possible to opt for Esalight 2 + Esacam), with or without a video camera.



COMMON FEATURES OF ESA LINE LIGHTS

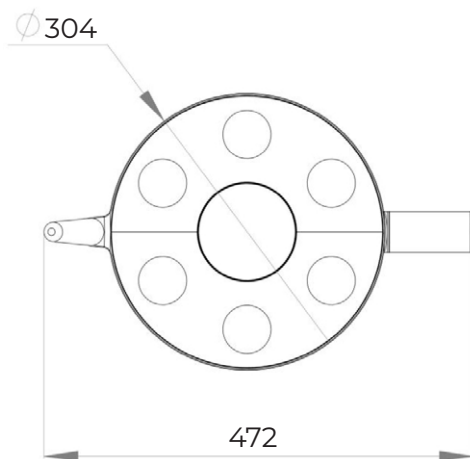
- Colour temperature: 5000K* +/- 10%
- Colour rendering index (Ra): >95
- Spot dimensions: 100 X 200 mm
- Intensity: 8,000 - 60,000 Lux
- LED bulb lifespan: 50,000h
- Removable handle for quick cleaning
- Energy consumption: 26 watt
- Power supply: 12/24 VAC
- Certification: (UE) 2017/745



ESALIGHT 2

- 60,000 Lux
- Sensor for adjustments

Code: **DE6.3023**

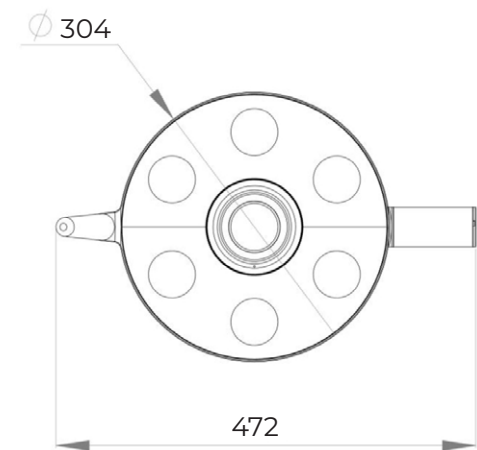




ESACAM

- 60,000 Lux
- Sensor for adjustments
- Full HD video camera with 30X Zoom and autofocus

Code: **DE6.3022R**

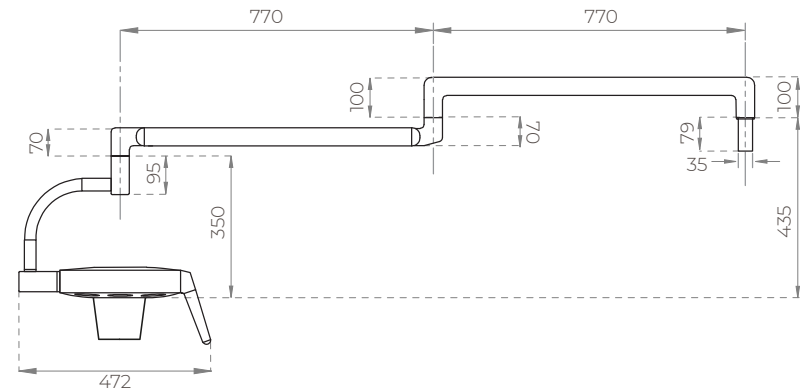


Custom set-up

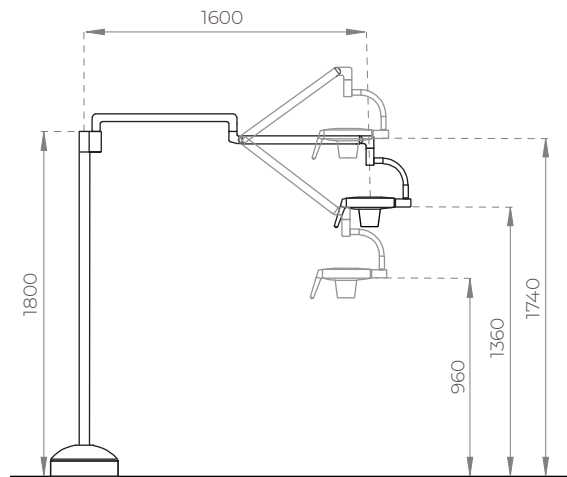
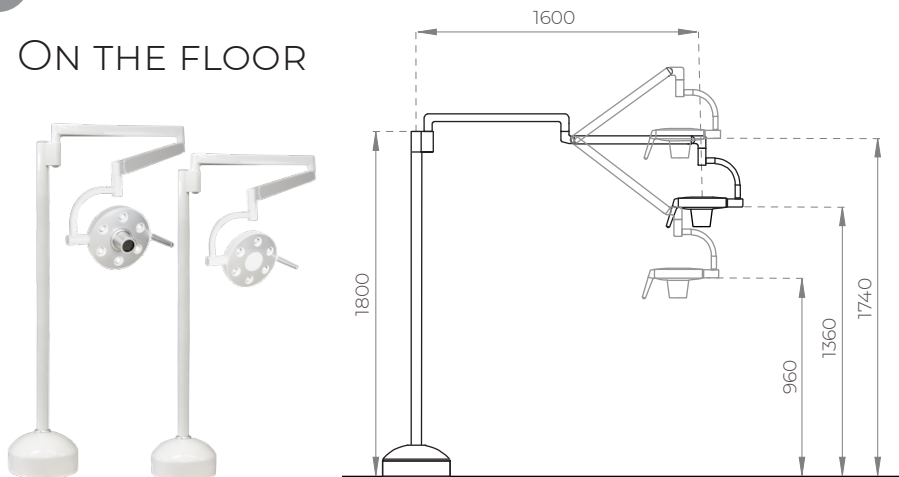
On the ceiling, on the wall, on the unit or on wheels?
 Single or double head? With or without video camera?
 You can choose the ideal set-up. Esa Line can be mounted on the masts of the most popular dental units through to the standard pin with a diameter of 35 mm or a choice between 18 and 40 mm.

On the ceiling applications you can choose the length of the pole depending on the height of the ceiling. The version with double head is available for ceiling, wall or floor mounting. Finally, with the tripod solution on wheels you can easily transport the lamp from one studio to another.

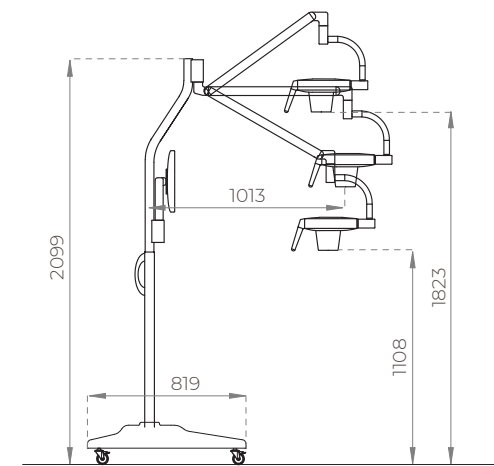
ON DENTAL UNIT



ON THE FLOOR



ON A MOBILE STAND



CEILING MOUNTED WITH SINGLE OR DOUBLE HEAD

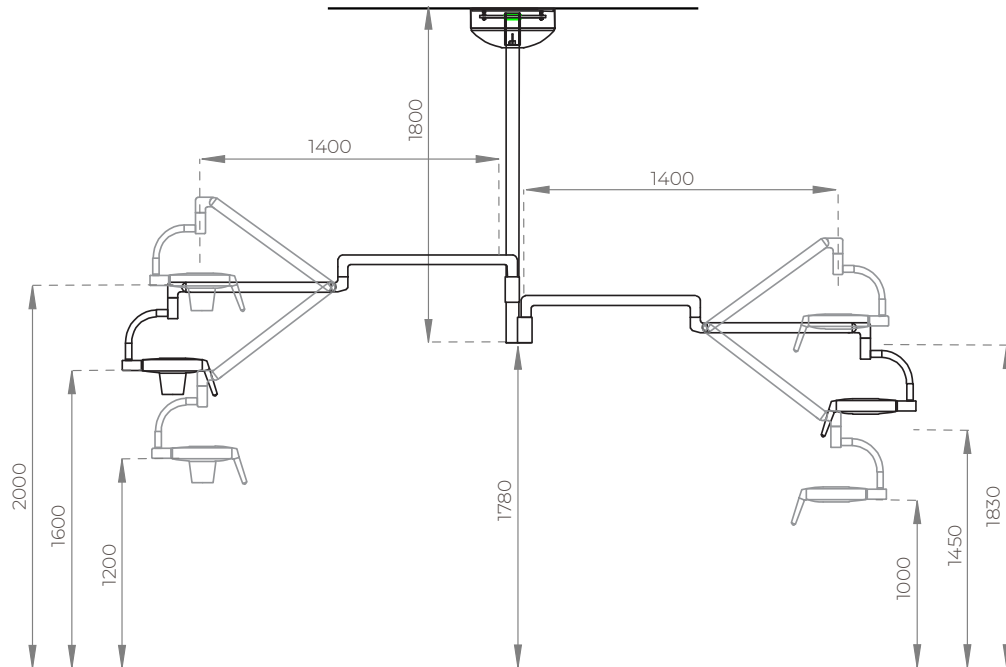


SOLUTIONS

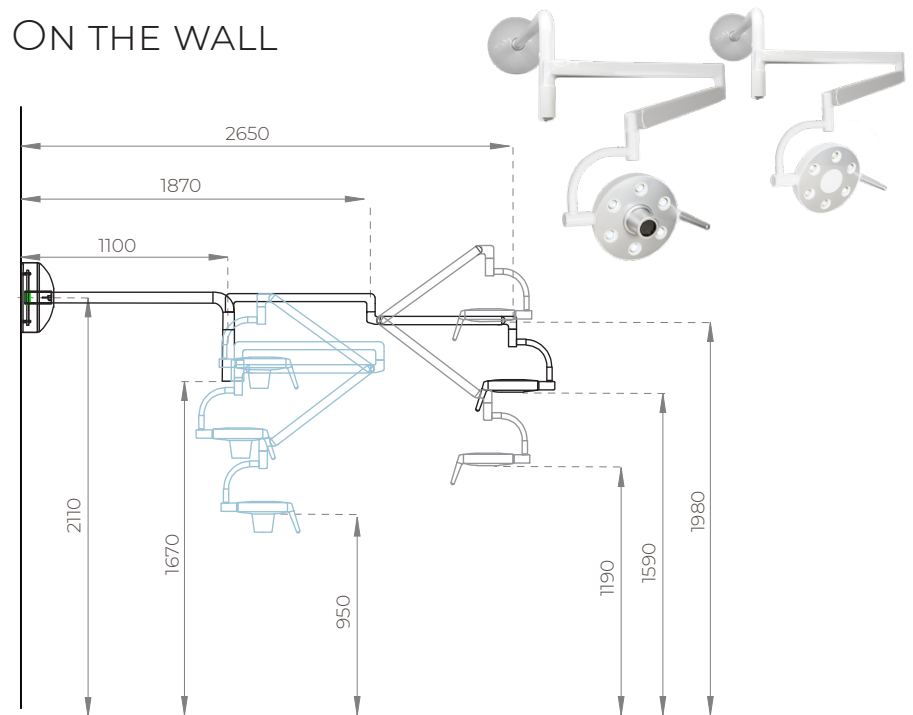


Here are all the possible solutions and technical features

Example ceiling height 3.6 metres



ON THE WALL

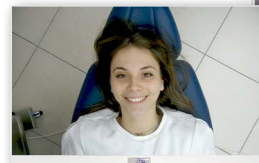


See the impossible



The quality of work depends entirely on being able to see even the minutest of detail in the operating area. Esacam lets you do that. It looks like a traditional operating light but has a built-in Full HD video camera with a 30x optical zoom and autofocus. This means optimal vision that allows you to view and zoom in on the operating area so as to highlight details that are difficult to see with the naked eye. In this way, the professional's abilities are amplified and, last but not least, visual fatigue is also prevented. Today, easily documenting, recording or sharing images and videos is within everyone's reach thanks to the Esacam operating light.

1 ×



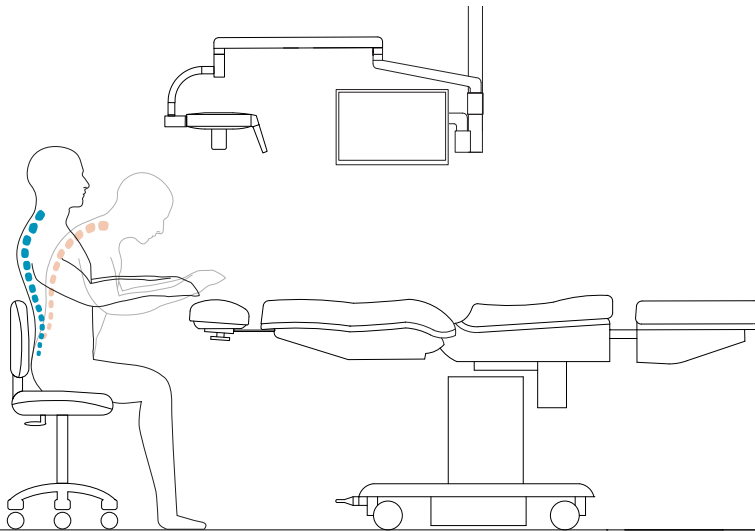
30 ×



EVERYTHING IS UNDER CONTROL

As we have seen, with the Esa Line it is possible to manage the lighting settings thanks to a sensor near the handle. It is therefore possible to turn it on, off and adjust its brightness in an easy way without touching it.

With the Esacam light all the lighting and video camera functions are managed by a practical remote control which, in particular situations, is more comfortable and practical than the standard controls on the light itself as you don't need to get up to make any adjustments and an assistant can manage everything for you. The camera functions managed by the remote control are: zoom, focus distance (automatic or manual), screen rotation at 180° and aperture (automatic or manual).



QUALITY AND HEALTH

The brightness of the light, designed to perfectly illuminate the operating area and prevent any shadows, together with the camera, which thanks to the 30x zoom and the autofocus provides macro and detailed images, means no visual fatigue for the professional who can work in a healthy way.

Posture and visual fatigue can be further improved by combining Esacam with the Falko visor. Just a simple connection, even wireless, to see the images taken by Esacam directly on the viewer.

Communicate



PATIENT-CENTRICITY

Patients today are looking for transparency, sharing of processes, practices and end results. The effective implementation of these values leads to the creation of patient-centricity which means putting the patients first through their open and continuous involvement, with the goal of providing them the very best experience. Esacam therefore becomes a key tool: communicating with images is the simplest and most effective way to relate to the patient.

As a result, Esacam is recommended as an indispensable tool for professional working both during operations and for communicating with the patient.

But the possibilities don't stop there. Thanks to the HDMI output it is possible to connect different devices depending how you want to utilise the images: view, record, project, share, and stream.



MONITOR AND MONITOR/PC TO BE COMBINED WITH ESACAM?

Here are Tecnomed's proposals with their technical data sheets.

ENDLESS POSSIBILITIES THROUGH THE FALKO ECOSYSTEM

The FALKO system comprises a range of Medtech equipment that can operate autonomously and independently of each other. When connected together, these devices create the new FALKO ecosystem that enhances the workflow of medical professionals, providing a significant improvement in operational and communication performance in clinical facilities.

For example, you can see the images taken by Esacam directly in the Falko viewer, or connect Esacam to the Falkonnect video processor and switch between different sources or view them simultaneously on monitor and/ or viewer. There are endless possibilities.

FALKO
SYSTEM



MULTILED AND ESALIGHT 2 MULTIMEDIA? WHY NOT!!

While not having a built-in camera, the multiLED line and Esalight 2 can also be used to take photos and record videos. Doing it is very simple, just apply the Okkio camera (in the Usb version) to the lamp. Its application is fast and effortless, thanks to the special magnetic adhesive that also allows immediate removal. The 4K Okkio medical cameras from Tecnomed Italia represent the pinnacle of visual sharpness. Designed with the utmost attention to detail, these cameras capture images of the highest quality, ensuring a clear and detailed view of the operating field.

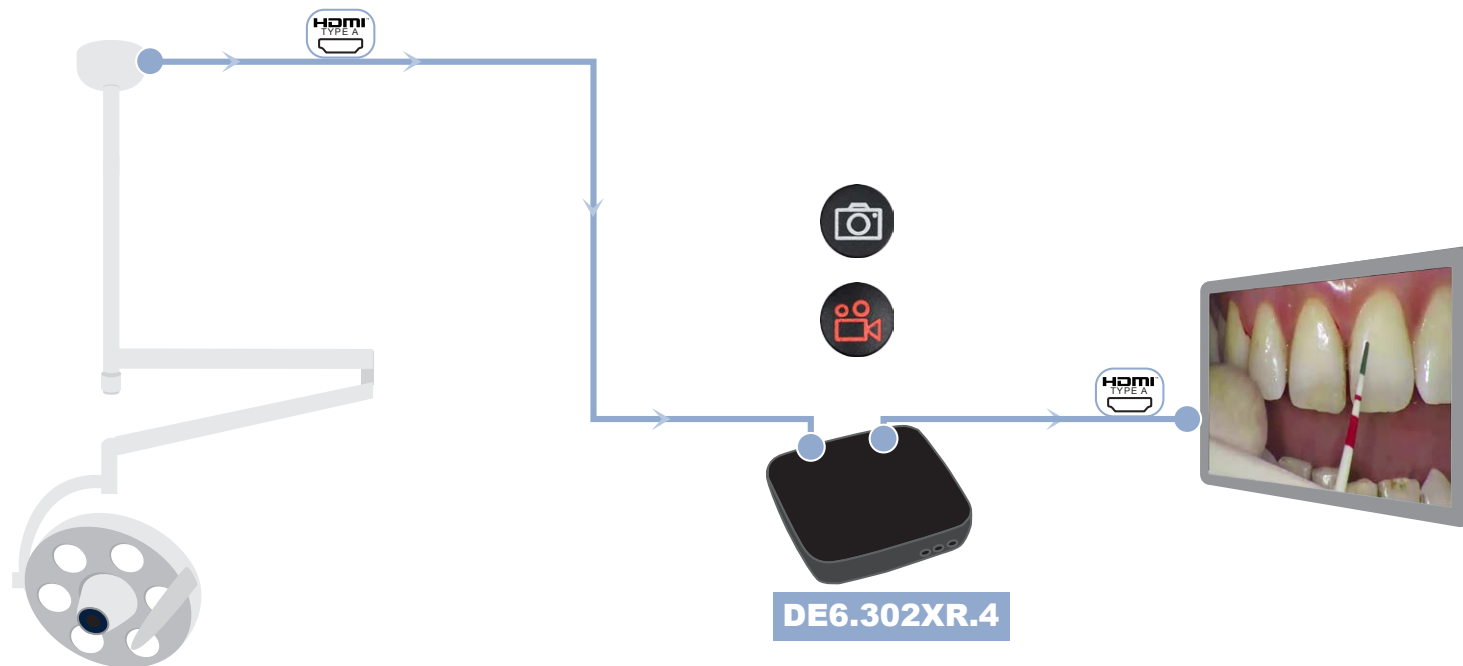
Configuration examples

SMALL STEPS, BIG RESULTS

Esacam is a very useful tool in medical practice, but not only! There is also room for teaching, for conferences and congresses: support presentations, illustrates, exhibition, demonstration of practical exercises and clinical choices
Here are two simple examples, among the endless possibilities of how to get into the multimedia world in a few steps through.

EXAMPLE 1: WATCH AND RECORD WITHOUT PC

With this configuration it is possible to see what is framed by Esacam directly on a TV monitor or a projector and at the same time take photos and/or record, all through an external digital recorder without the use of the PC. A simple connection that with the minimum investment allows you to make a quantum leap in the way you operate.

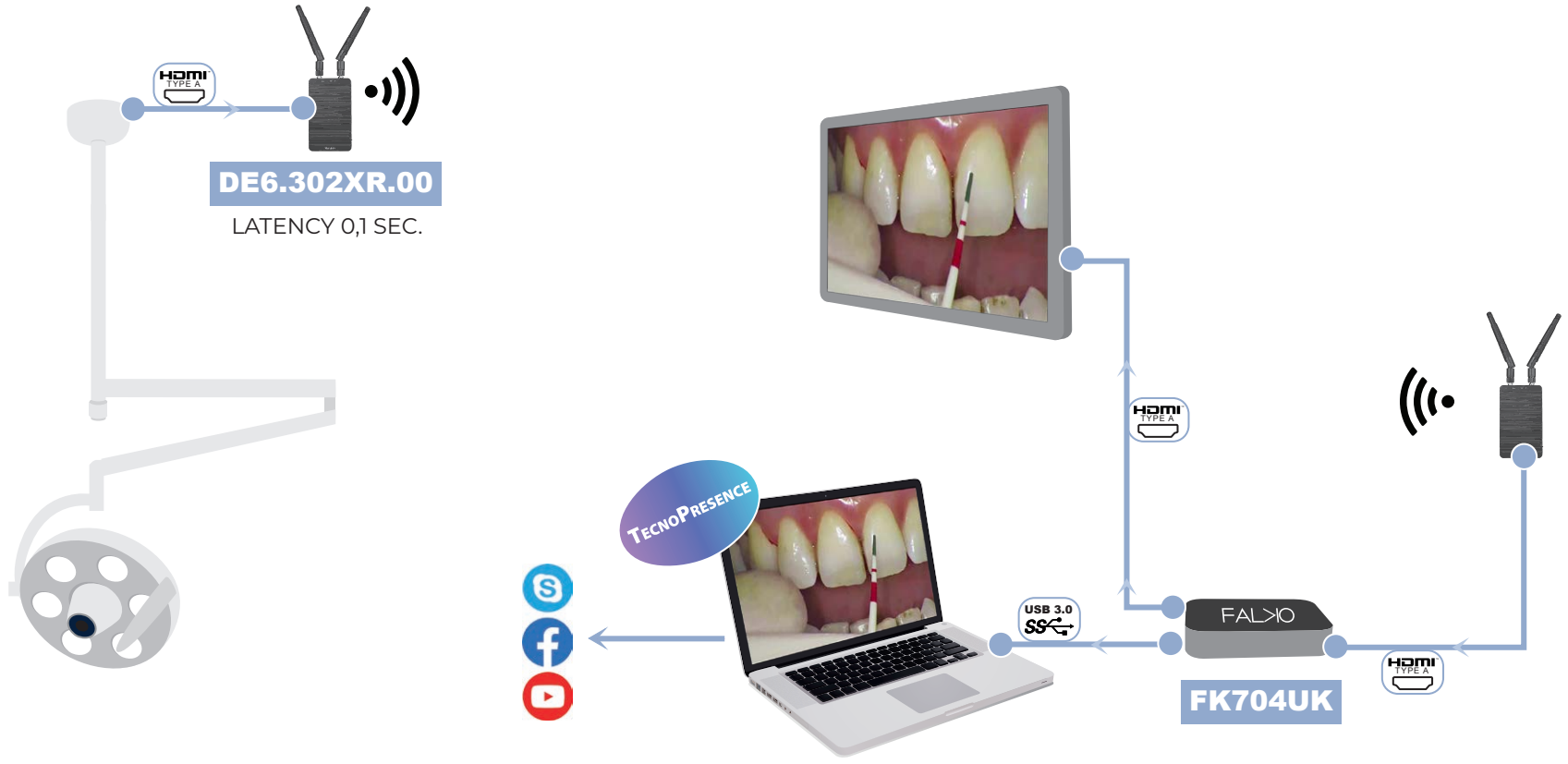


LIVE
STREAMING



EXAMPLE 2: WATCH, RECORD AND SHARE

With this wireless configuration it is possible to transmit video to the PC and a wall monitor without any cable passage.
Thanks to the tele cooperation software "TecnoPresence" installed on the PC will be possible to share what we see to whom we want.



Video devices



• Falkonnect Media and Pip Flow Management Station, with imaging software for photo and video recording

Code: **FK701DTR**



• Video card for 4k signal conversion from HDMI to USB 3.0 with teleoperation imaging software included

Code: **FK704UK**



• Audio extractor from HDMI

Code: **DE6.302XR.2.3**



• PC-free video recorder

Code: **DE6.302XR.4**



• 2 TB Hard Disk

Code: **DE6.302XR.3**



• 1X2 HDMI splitter

Code: **DE6.302XR.2.4**



• Wireless audio/video transmitter

Code: **DE6.302XR.00**



• Android smart interface OTG cable

Code: **DE6.302XR.2AN**



• los smart interface OTG cable

Code: **DE6.302XR.2IP**



ARRANGE THE ACCESSORIES ACCORDING TO YOUR NEEDS

Find your ideal set-up in our in-depth look.

Surgical Lights Line



Tecnomed Italia s.r.l. · Via Salvador Allende n.2, 61040 Castelvecchio di Monte Porzio (PU) · Italy
Phone +39 0721 955125 · www.tecnomeditalia.com