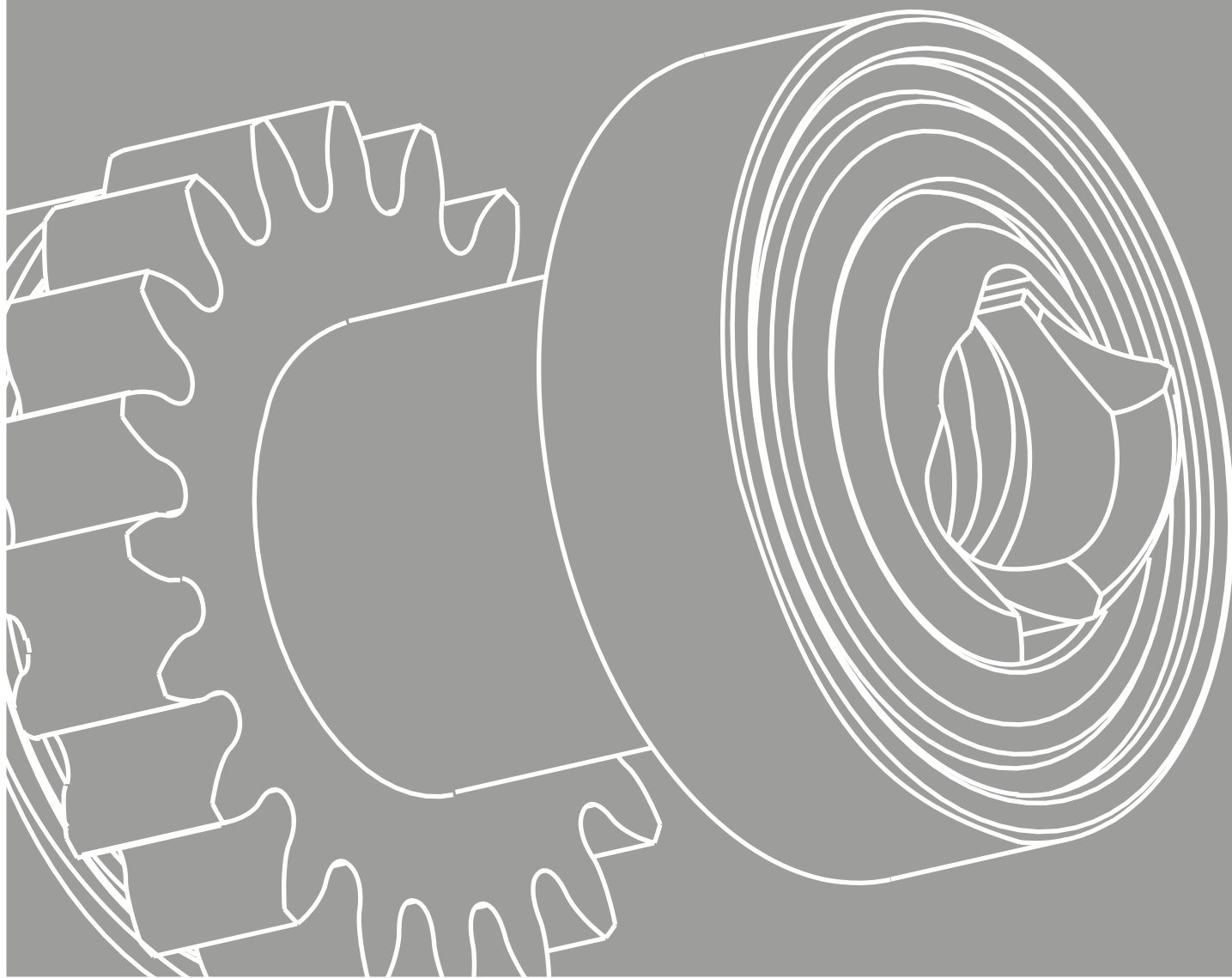


RICAMBI PER CONTRANGOLI

CONTRA-ANGLES SPARE PARTS



Ivory®
KaVo®
Mk-Dent®
Bien Air®
Sirona®

RICAMBI PER CONTRANGOLI

CONTRA-ANGLES SPARE PARTS

The products are complies
EN ISO 13485

Tecnomed Italia propone una vasta gamma di ricambi compatibili per contrangoli, costruiti con materiali di alta qualità. Tutti i ricambi sono realizzati da aziende specializzate nella micromeccaniche di precisione medicale e seguono norme specifiche atte a soddisfare i requisiti di un sistema di gestione per la qualità EN ISO 13485.

Tecnomed Italia offers a wide range of contra-angles spare parts compatible with most equipment manufacturers. All spare parts are made by companies specialized in medical precision micromechanics and are manufactured in according of the EN ISO 13485.



PLUS PRINCIPALI

MAIN PLUS

- ✓ Materiali di alta qualità
- ✓ Tutti i ricambi sono approvati dal team tecnico
- ✓ Perfettamente bilanciati
- ✓ Vasta gamma
- ✓ Garanzia italiana su tutti i nostri ricambi
- ✓ 12 mesi di garanzia
- ✓ EN ISO 13485

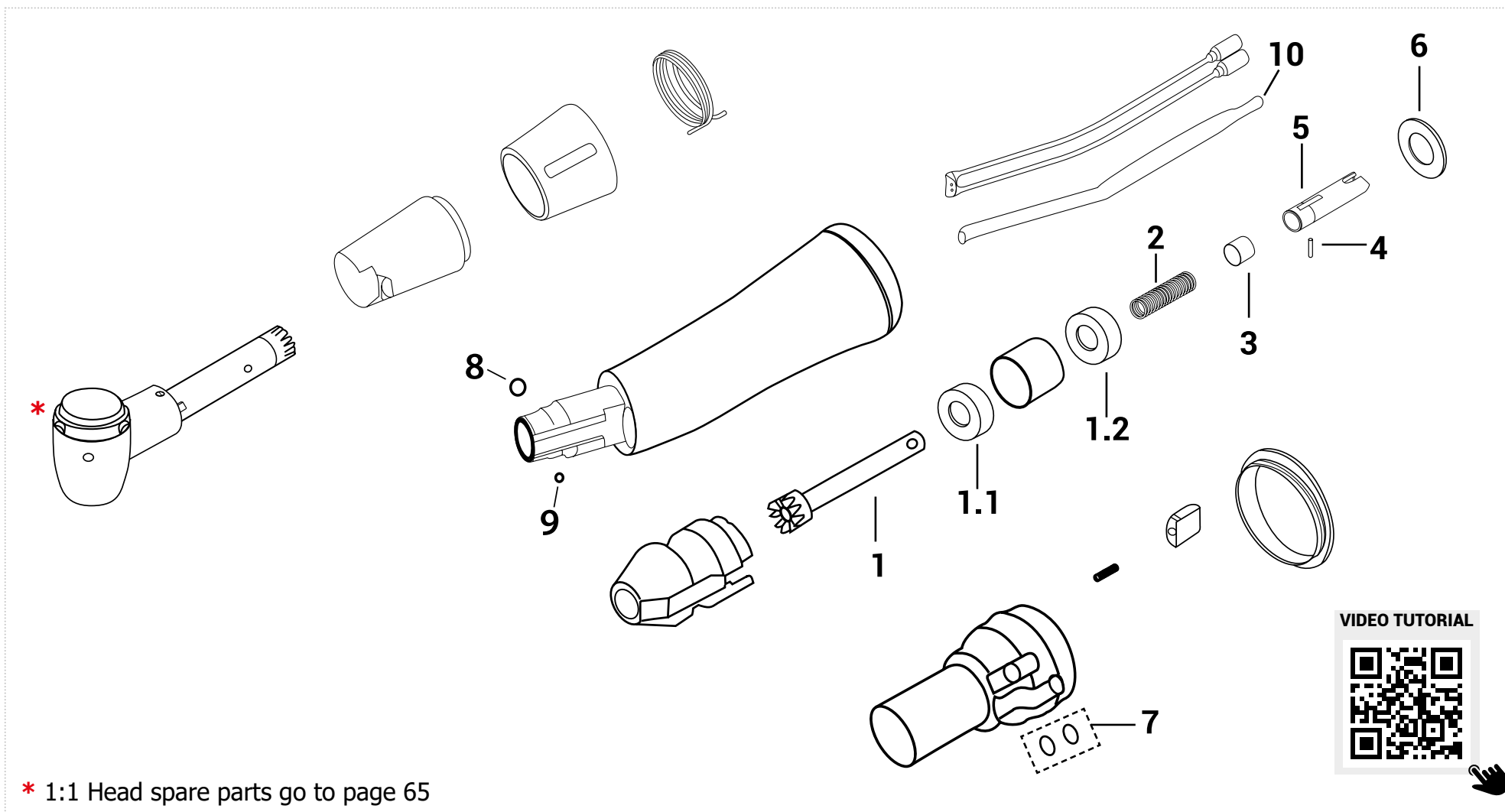
- ✓ Top quality materials
- ✓ All our spares are approved by our technical team
- ✓ Perfectly balanced
- ✓ Wide range
- ✓ Italian warranty of all our spares
- ✓ 12-month warranty
- ✓ EN ISO 13485

















KaVo® 20C/CH/CN/LH/LHC/LN/LP - 2068LHC - E20L - Ivory® SL411C/L -
Mk-Dent® LS2011/L - LC11/L - LE11/L - LS3011L
1 : 1 Contra-angle body - Blue ring

CONTRA-ANGLES








KaVo® 20C/CH/CN/LH/LHC/LN/LP - 2068LHC - E20L - Ivory® SL411C/L -
 Mk-Dent® LS2011/L - LC11/L - LE11/L - LS3011L
 1 : 1 Contra-angle body - Blue ring

CONTRA-ANGLES

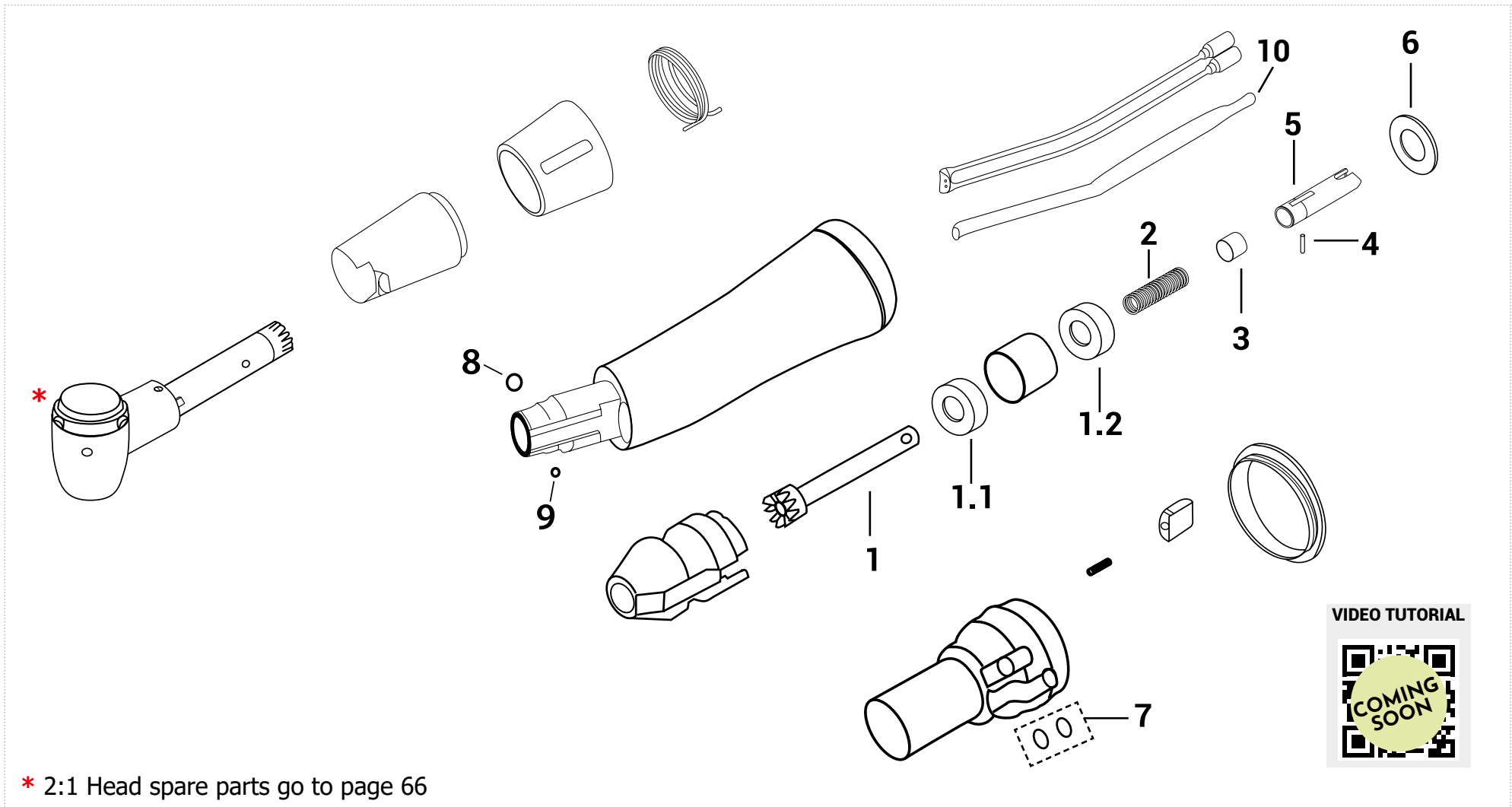
												
	1	1.1	1.2	2	3	4	5	6	7	8	9	10
	Driving shaft	Bearng type (Upper)	Bearng type (Lower)	Pressure spring	Sleeve	Pin	Driver	Disk	O-ring	Ball Ø 3 mm	Ball Ø 1,5 mm	Glass optic road
Order code	SIV046.17	CM322	CM322	SIV046.20	SIV046.21	SIV046.22	SIV046.23	SIV046.24	OIV140	SIV046.11	SIV046.12	SIV046.14
		BIV046.2 For Ivory	BIV046.2 For Ivory									

1.1 - 1.2							
Order code	Bearing	Size d.i./d.e/h(mm)	Cage	Balls	Contact	Brand	Type
	CM322	3 X 8 X 3	Steel	Steel	Radial	Tecnomed Italia	Smooth
	BIV046.2	3 X 8 X 2,5	Steel	Steel	Radial	Ivory	Smooth

RELATED PRODUCTSS				
				
Key for disassembly ring	Base insert removal tool	Fits for spindles	Fits for angle	Lubrication
Order code	KIV2011M	IK2015	CL5.001V	LIV1013
				Ivory® Silk Oil OL101S

KaVo® 2067LHC - Ivory® SL421C/L - Mk-Dent® LS2012/L - LE21/L
2 : 1 Contra-angle body - Blue ring

CONTRA-ANGLES








KaVo® 2067LHC - Ivory® SL421C/L - Mk-Dent® LS2012/L - LE21/L

2 : 1 Contra-angle body - Blue ring

CONTRA-ANGLES

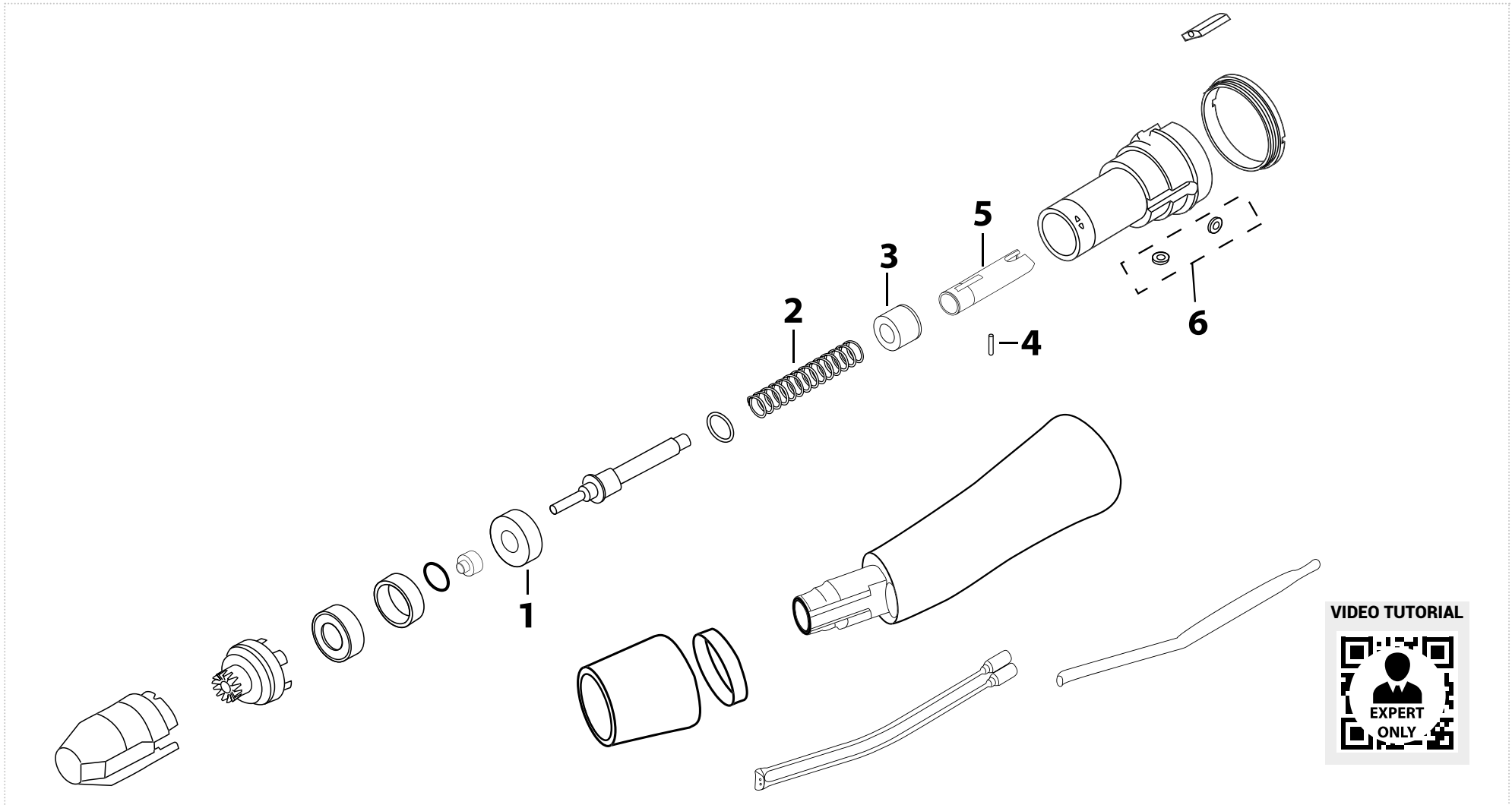
												
	1	1.1	1.2	2	3	4	5	6	7	8	9	10
	Driving shaft	Bearng type (Upper)	Bearng type (Lower)	Pressure spring	Sleeve	Pin	Driver	Disk	O-ring	Ball Ø 3 mm	Ball Ø 1,5 mm	Glass optic road
Order code	SIV046.17	CM322	CM322	SIV046.20	SIV046.21	SIV046.22	SIV046.23	SIV046.24	OIV140	SIV046.11	SIV046.12	SIV046.14
		BIV046.2 For Ivory	BIV046.2 For Ivory									

1.1 - 1.2							
Bearing	Size d.i/d.e/h(mm)	Cage	Balls	Contact	Brand	Type	
CM322	3 X 8 X 3	Steel	Steel	Radial	Tecnomed Italia	Smooth	
BIV046.2	3 X 8 X 2,5	Steel	Steel	Radial	Ivory	Smooth	

RELATED PRODUCTSS				
				
Key for disassembly ring	Base insert removal tool	Fits for spindles	Fits for angle	Lubrication
Order code	KIV2011M	IK2015	CL5.001V	LIV1013
				Ivory® Silk Oil OL101S

KaVo® 7LH/7LN/7LP - Mk-Dent® LS3027L
2,7 : 1 Contra-angle - Green ring

CONTRA-ANGLES



KaVo® 7LH/7LN/7LP - Mk-Dent® LS3027L

2,7 : 1 Contra-angle - Green ring

CONTRA-ANGLES

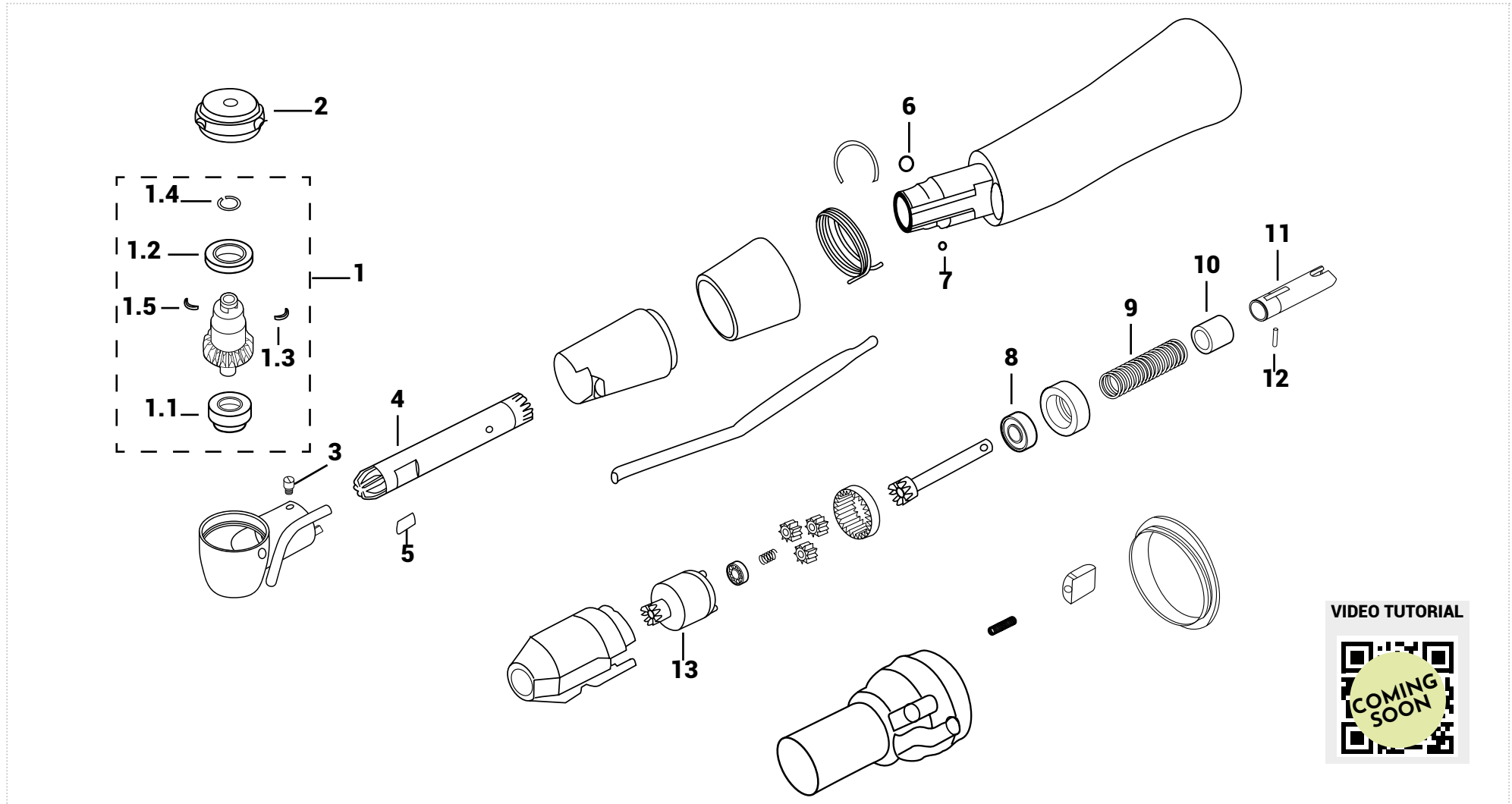
	1	2	3	4	5	6
	Bearing type (inferior)	Pressure spring	Sleeve	Pin	Driver	O-ring
Order code	K220157	SIV046.20	SIV046.21	SIV046.22	SIV046.23	OIV140

	1						
	Bearing	Size d.i./d.e/h(mm)	Cage	Balls	Contact	Brand	Type
Order code	K220157	4 X 11 X 4	Steel	Steel	Radial	Myonic	Smooth

RELATED PRODUCTS		
Push button key	Fits for angle	Lubrication
Order code	KIV2011M	LIV1013 Ivory® Silk Oil OL101S

KaVo® SURGmatic S201XC/L Contra-angle green ring

CONTRA-ANGLES





















VIDEO TUTORIAL




KaVo® SURGmatic S201XC/XL Contra-angle green ring

CONTRA-ANGLES

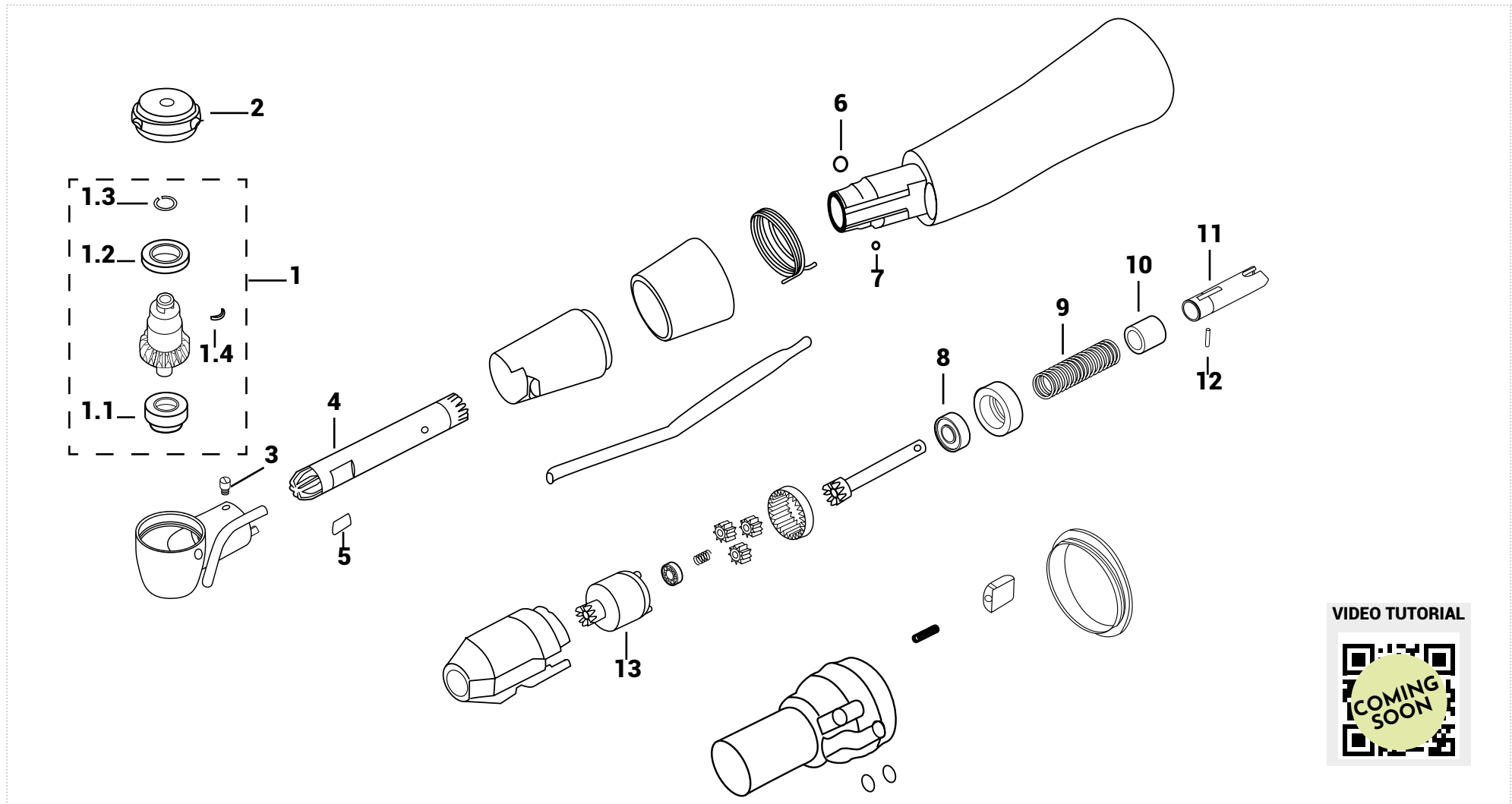
																		
1	1.1	1.2	1.3	1.4	1.5	2	3	4	5	6	7	8	9	10	11	12	13	
Complete rotor	Bearing type (burs side)	Bearing type (push side)	Segment	Wire ring	Slide	Push button	Screw	Driving shaft	Spring	Ball Ø 3mm	Ball Ø 1,5mm	Bearing	Pressur spring	Sleeve	Driver	Pin	Crown	
Order code	TIV201K	CU68LDN										CU68LDN						
		CU68LDNG		S68SG	M68M	K68SFK	K540486	VT55K	KTR33	L68L	SIV046.11	SIV046.12	CU68LDNG	SIV046.20	SIV046.21	SIV046.23	SIV046.22	1009TM8381

1.1 - 1.2 - 8						
Bearing	Size d.i./d.e/h(mm)	Cage	Balls	Contact	Brand	Type
CM512	5X8X2	Steel	Steel	Radial	Myonic	Smooth
CM512G	5X8X2	Steel	Steel	Radial	GRW	Smooth
CU68LDN	3X7X3	Steel	Steel	Radial	Tecnomed Italia	Smooth
CU68LDNG	3X7X3	Steel	Steel	Radial	GRW	Smooth

RELATED PRODUCTSS					
					
Order code	KIV460	KIV2011M	IK2015	CL5.001V	LIV1013
					Ivory® Silk Oil OL101S

KaVo® SURGmatic S201L Contra-angle green ring

CONTRA-ANGLES




















VIDEO TUTORIAL






KaVo® SURGmatic S201L

Contra-angle green ring

CONTRA-ANGLES

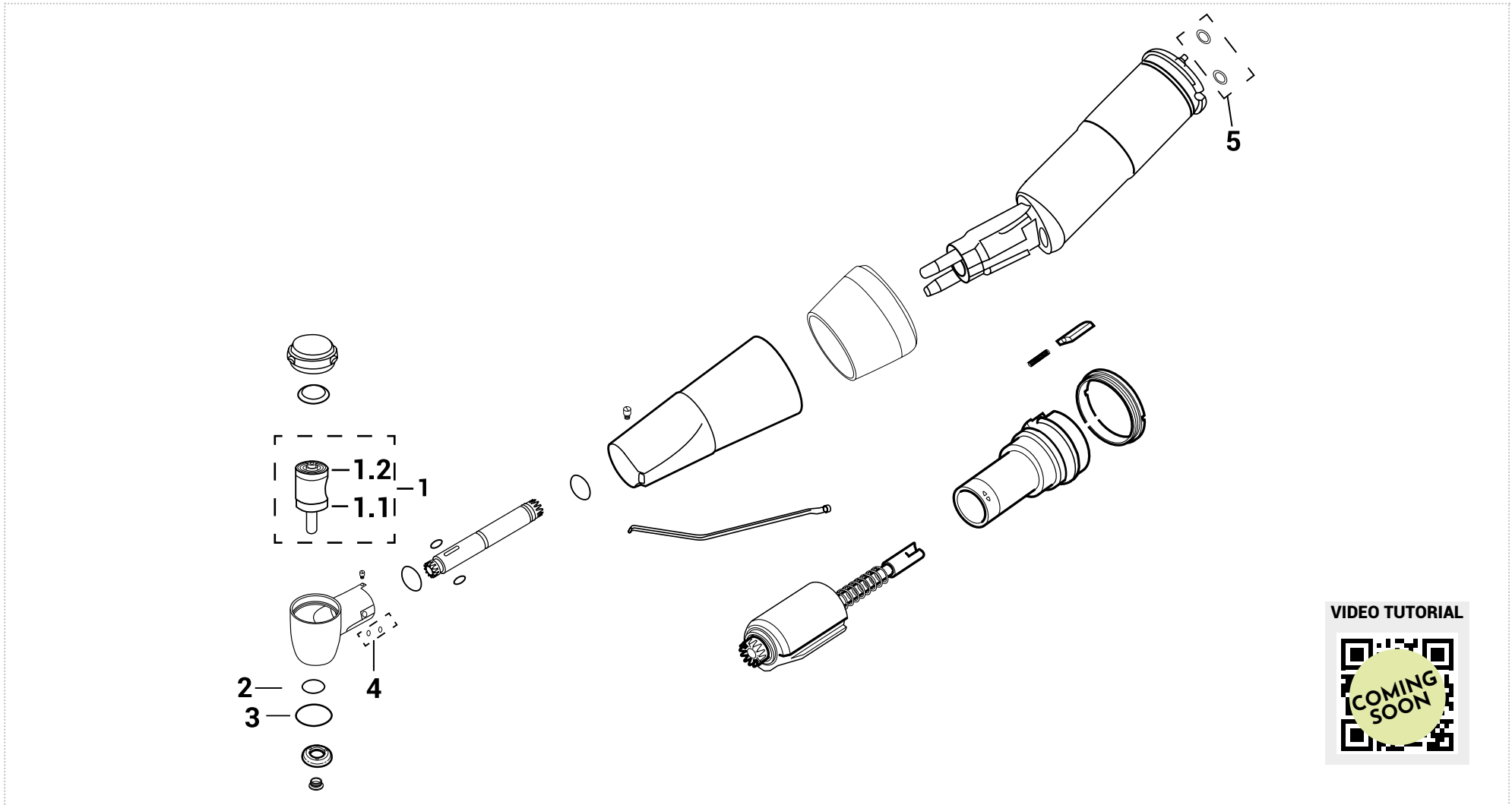
																
1	1.1	1.2	1.3	1.4	2	3	4	5	6	7	8	9	10	11	12	13
Complete rotor	Bearing type (burs side)	Bearing type (push side)	Wire ring	Slide	Push button	Screw	Driving shaft	Spring	Ball Ø 3mm	Ball Ø 1,5mm	Bearing	Pressur spring	Sleeve	Driver	Pin	Crown
Order code	K10N4490	CU68LH	M68M	K68SFK	K540486	VT55K	KTR33	L68L	SIV046.11	SIV046.12	CU68LDN	SIV046.20	SIV046.21	SIV046.23	SIV046.22	1009TM8381
		CM512									CU68LDNG					

1.1 - 1.2 - 8						
Bearing	Size d.i/d.e/h(mm)	Cage	Balls	Contact	Brand	Type
CU68LH	3X7X2,5/3,35	Steel	Steel	Radial	Myonic	Smooth
CM512	5X8X2	Steel	Steel	Radial	Myonic	Smooth
CM512G	5X8X2	Steel	Steel	Radial	GRW	Smooth
CU68LDN	3X7X3	Steel	Steel	Radial	Tecnomed Italia	Smooth
CU68LDNG	3X7X3	Steel	Steel	Radial	GRW	Smooth

RELATED PRODUCTSS					
					
Back cap & screw key	Key for disassembly ring	Base insert removal tool	Fits for spindles	Fits for angle	Lubrication
Order code	KIV460	KIV2011M	IK2015	CL5.001V	LIV1013
					Ivory® Silk Oil OL101S

KaVo® 24CN/LN Contra-angle red ring







CONTRA-ANGLES



VIDEO TUTORIAL



KaVo® 24CN/LN Contra-angle red ring

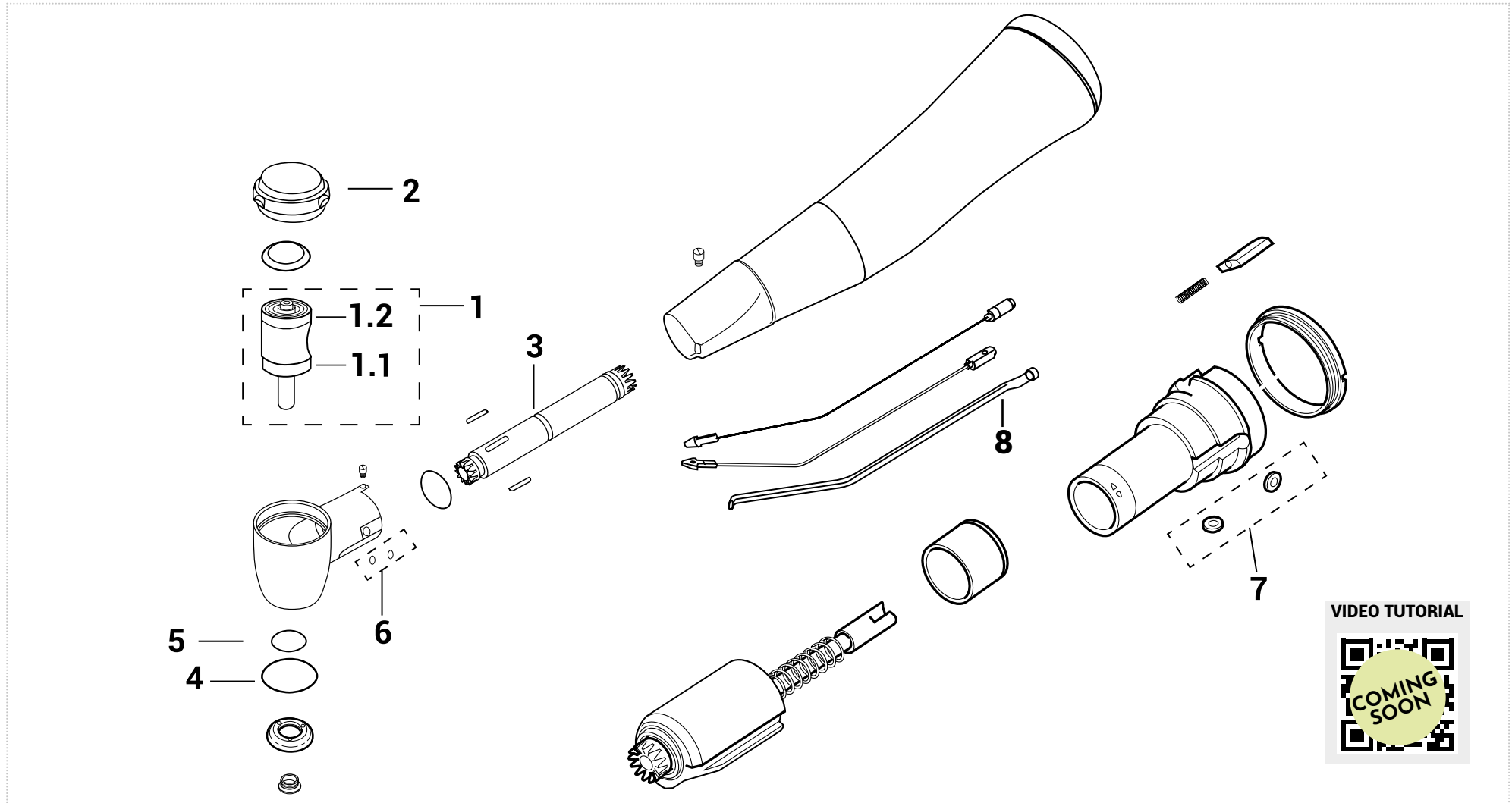
							
	1	1.1	1.2	2	3	4	5
	Complete rotor	Bearing type (burs side)	Bearing type (push side)	O-ring for spray insert small	O-ring for spray insert big	O-ring body	O-ring head
Order code	553NK5761	SB200K	SB200K	AVAILABLE ON REQUEST	AVAILABLE ON REQUEST	OIV140	AVAILABLE ON REQUEST

	1.1 - 1.2 200.000 rpm						
	Bearing	Size d.i/d.e/h(mm)	Cage	Balls	Contact	Brand	Type
Order code	SB200K	4 X 7 X 2	Steel	Ceramic	Radial	Myonic	Grove

	RELATED PRODUCTS			
				
	Push button key	Fits for spindles	Fits for angle	Lubrication
Order code	KE25B	LT10144	LIV1013	Ivory® Silk Oil OL101S

KaVo® 25CH/CN/LH/LHC/LHS/LN Contra-angle red ring

CONTRA-ANGLES



KaVo® 25CH/CN/LH/LHC/LHS/LN Contra-angle red ring

CONTRA-ANGLES

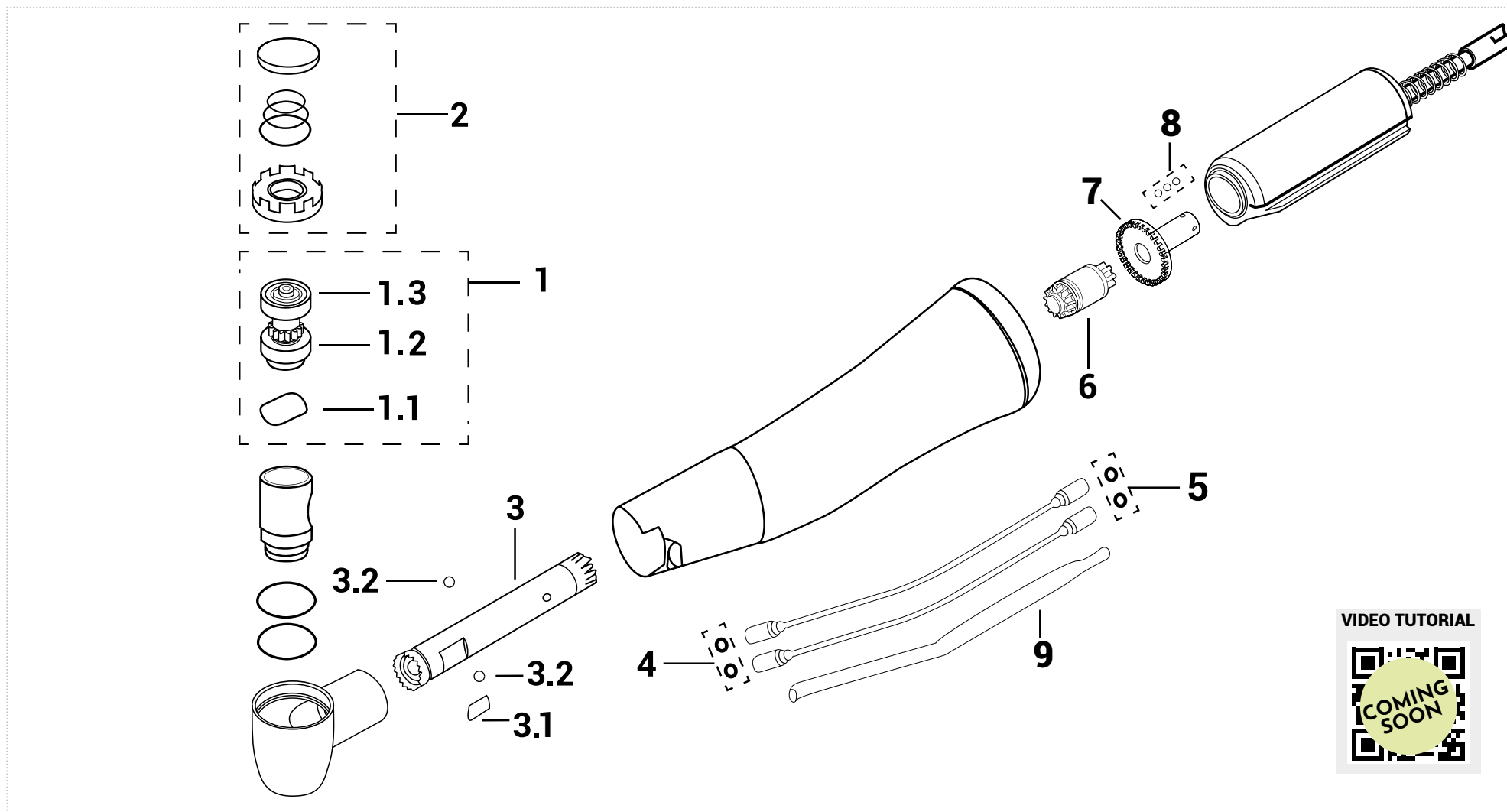
										
	1	1.1	1.2	2	3	4	5	6	7	8
	Complete rotor	Bearing type (burs side)	Bearing type (push side)	Push button	Driving shaft	O-ring for spray insert big	O-ring for spray insert small	O-ring head	O-ring body	Glass optic road
Order code	K5537341	SB200K	SB200K	PIV025LH	KTR96	AVAILABLE ON REQUEST	AVAILABLE ON REQUEST	AVAILABLE ON REQUEST	OIV140	FO30283

1.1 - 1.2 200.000 rpm							
Bearing	Size d.i/d.e/h(mm)	Cage	Balls	Contact	Brand	Type	
Order code	SB200K	4 X 7 X 2	Steel	Ceramic	Radial	Myonic	Grove

RELATED PRODUCTS			
			
Push button key	Fits for spindles	Fits for angle	Lubrication
Order code	KIV0025B	CL5.001V	LIV1013 Ivory® Silk Oil OL101S

KaVo® 25LP - 25LPA - 25LPR Contra-angle red ring

CONTRA-ANGLES

















VIDEO TUTORIAL



KaVo® 25LP - 25LPA - 25LPR Contra-angle red ring

CONTRA-ANGLES

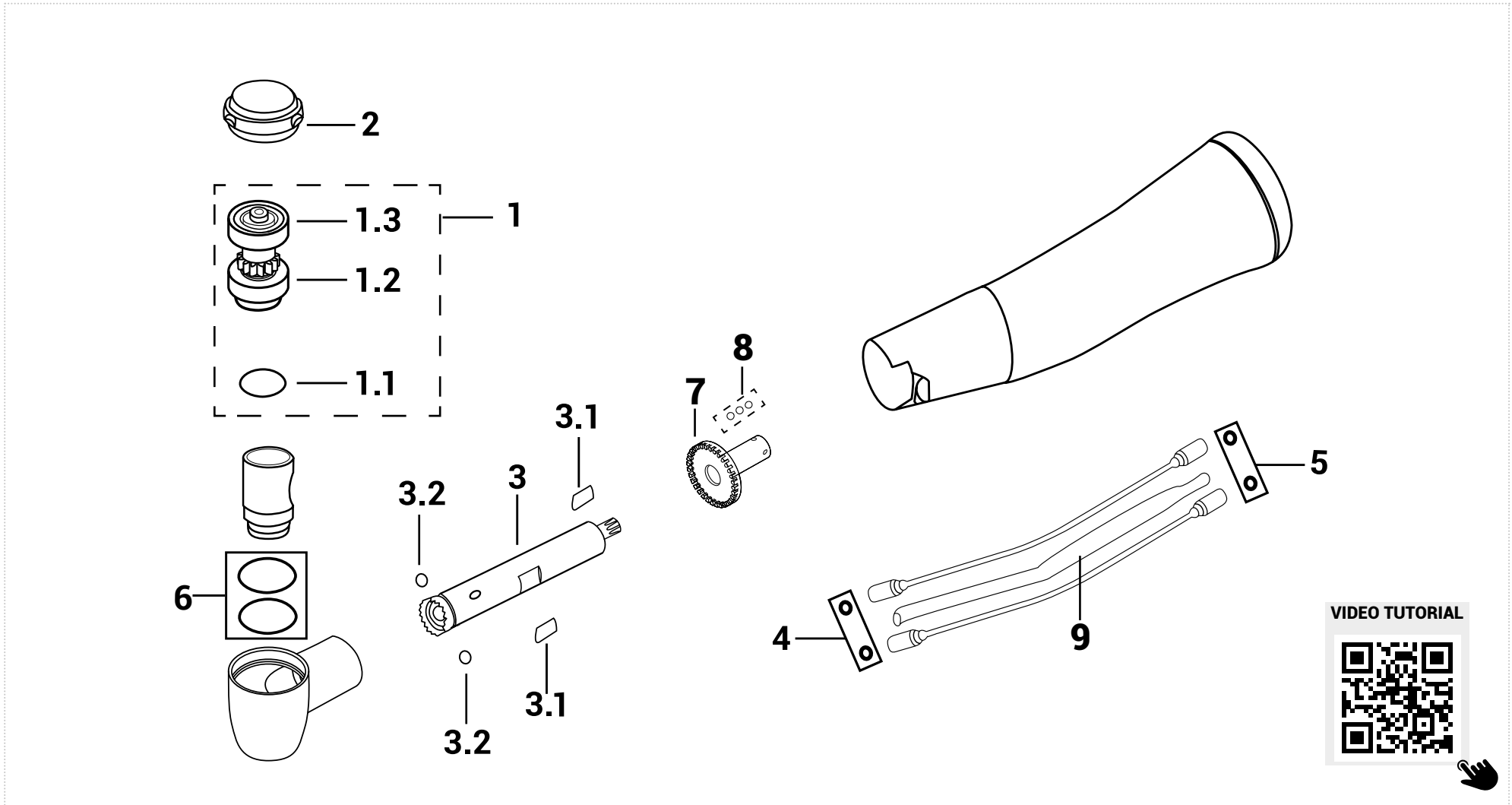
														
1	1.1	1.2	1.3	2	3	3.1	3.2	4	5	6	7	8	9	
Complete rotor	Spring washer	Bearing type (burs side)	Bearing type (push side)	Push button	Driving shaft	Reed	Balls	O-ring water superior	O-ring water inferior	Idler Shaft	Balls	Drive gear	Glass optic road	
Order code	K10013520	SA300F	SB25LP	SB200K	PIVK25P	KTR3515	L68L	257TM4013	1001TM3289	AVAILABLE ON REQUEST OIV0140* (for 25LPA)	1001TM3519	257TM4007	1001TM3071	FO13320

1.2 - 1.3 200.000 rpm							
Order code	Bearing	Size d.i./d.e/h(mm)	Cage	Balls	Contact	Brand	Type
	SB225LP	3,175 X 6,350 X 2,380/2,779	Steel	Ceramic	Radial	Myonic	Grove
	SB200K	4 X 7 X 2	Steel	Ceramic	Radial	Myonic	Grove

RELATED PRODUCTS					
					
Push button key	Back cap key	Fits for spindles	Fits for angle	Lubrication	
Order code	KIV2025LP	KIV1025LP	CL5.001V	LIV1013	Ivory® Silk Oil OL101S















KaVo® E25L Contra-angle red ring

CONTRA-ANGLES



KaVo® E25L Contra-angle red ring

CONTRA-ANGLES

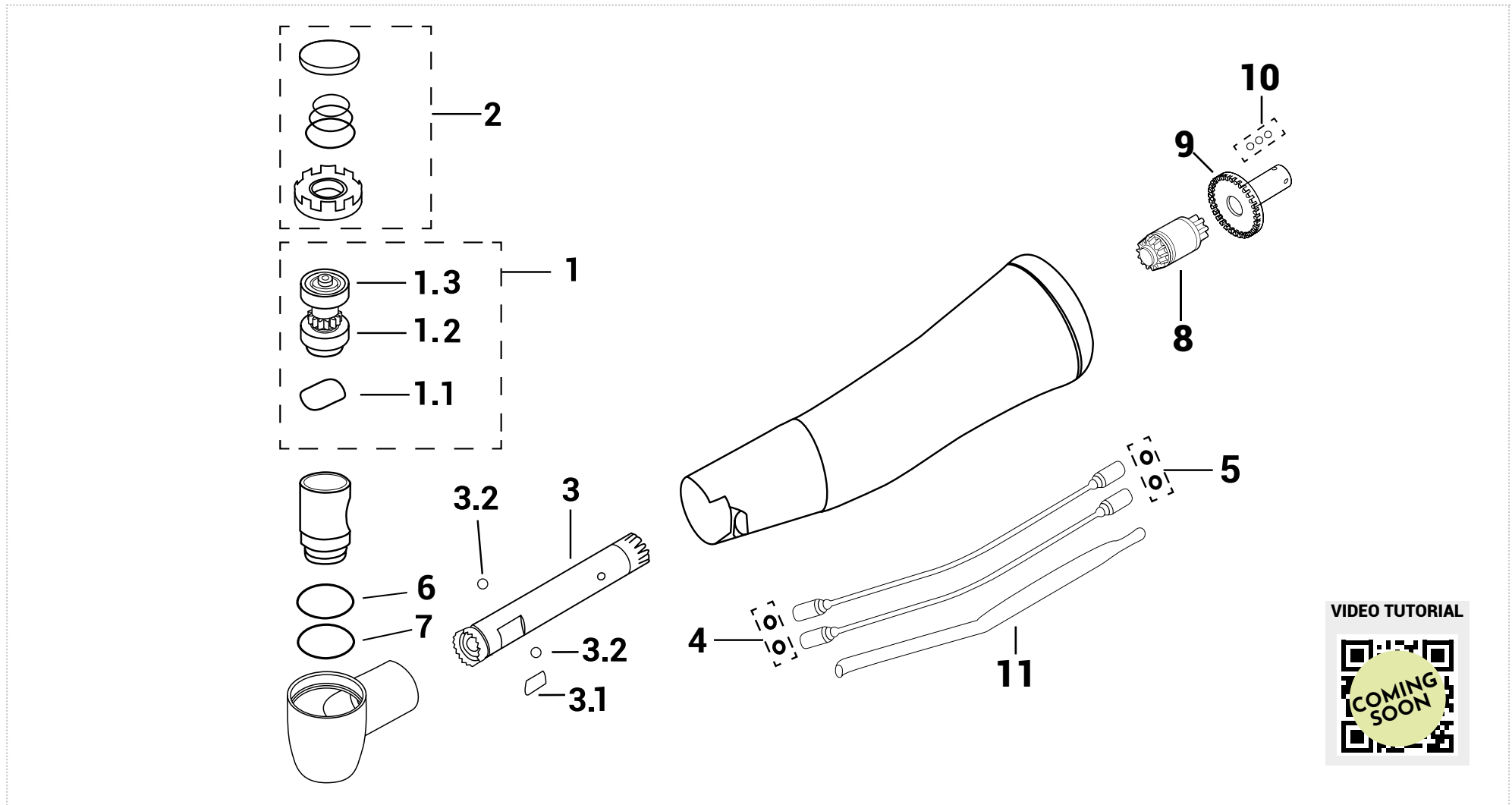
													
1	1.1	1.2	1.3	2	3	3.1	3.2	4	5	6	7	8	9
Complete rotor	Spring washer	Bearing type (burs side)	Bearing type (push side)	Push button	Driving shaft	Plate	Balls	O-ring water superior	O-ring water inferior	O-ring CARTRIDGE	Balls	Drive gear	Glass optic road
1008TM4040	SA300F	SB25EL	SB25ELR	PIVK25E	KTRE25L	L68L	257TM4013	1001TM3289	AVAILABLE ON REQUEST	1005TM792	257TM4007	1007TM5555	FO75572

1.2 - 1.3						
Bearing	Size d.i./d.e/h(mm)	Cage	Balls	Contact	Brand	Type
SB25EL	3,175 X 6,350 X 1,9/2,78	Steel	Ceramic	Radial	Tecnomed Italia	Grove
SB25ELR	4 X 7 X 2/1,55	Steel	Ceramic	Radial	Tecnomed Italia	Smooth

RELATED PRODUCTS			
			
Push button key	Fits for spindles	Fits for angle	Lubrication
KIV19LEW	CL5.001V	LIV1013	Ivory® Silk Oil OL101S

KaVo® M25L Contra-angle red ring

CONTRA-ANGLES


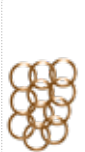










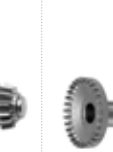





VIDEO TUTORIAL






KaVo® M25L Contra-angle red ring

CONTRA-ANGLES

															
1	1.1	1.2	1.3	2	3	3.1	3.2	4	5	6	7	8	9	10	11
Complete rotor	Spring washer	Bearing type (burs side)	Bearing type (push side)	Push button	Driving shaft	Plate	Balls	O-ring water superior	O-ring water inferior	Rear o-ring cartridge	Front o-ring cartridge	Idler Shaft	Drive gear	Balls	Glass optic road
Order code	1011TM0129 SA300F	SB25MF	SB25MR	PIVK25E	KTR3515	L68L	257TM4013	1001TM3289	AVAILABLE ON REQUEST	1005TM792	AVAILABLE ON REQUEST	1001TM3519	1007TM3071	257TM4007	FO13320

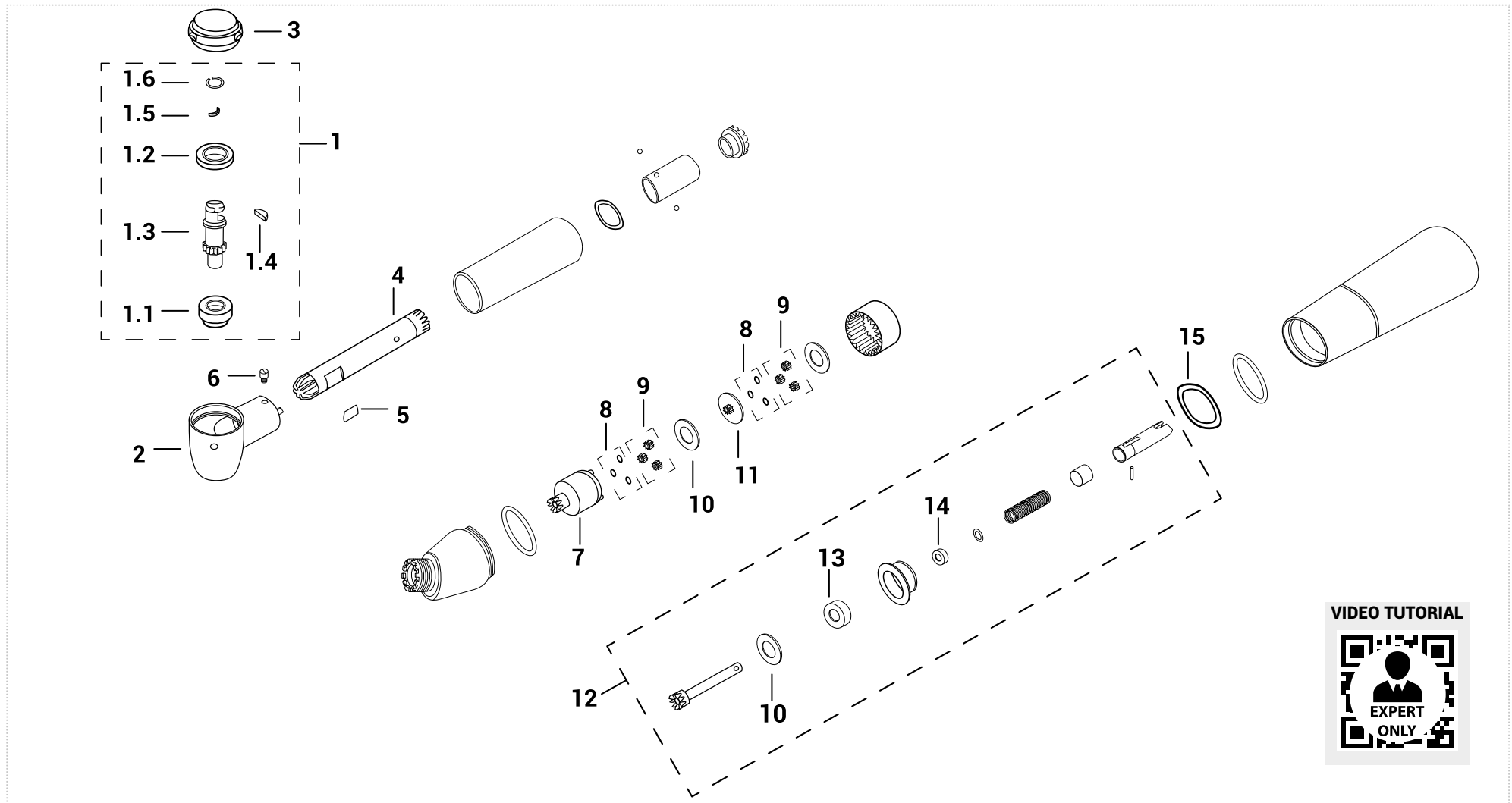
1.2 - 1.3						
Bearing	Size d.i./d.e/h(mm)	Cage	Balls	Contact	Brand	Type
SB25MF	5,8 X 2,380 X 2,28	Steel	Ceramic	Radial	Tecnomed Italia	Smooth
SB25MR	3,5 X 6,5 X 2	Steel	Ceramic	Radial	Tecnomed Italia	Smooth

RELATED PRODUCTS				
				
Push button key	Back cap key	Fits for spindles	Fits for angle	Lubrication
Order code	KIV2025LP	KIV1025LP	CL5.001V LIV1013	Ivory® Silk Oil OL101S

Ivory® SL116C

16 : 1 Contra-angle - Green ring













CONTRA-ANGLES



Ivory® SL116C

16 : 1 Contra-angle - Green ring

CONTRA-ANGLES

											
1	1.1	1.2	1.3	1.4	1.5	1.6	2	3	4	5	6
Complete rotor	Bearing type (burs side)	Bearing type (push side)	Rotor without bearing	Segment	Slide	Wire Ring	Head	Push button	Driving shaft	Spring	Screw
Order code											
K5403661	CU68LH	CU68PK	K54N3661	S68SG	K68SFK	M68M	K543631	SL6.001K	KTR68	L68L	VT55K

								
7	8	9	10	11	12	13	14	15
Crown	Gear spacer	Gear for terminal	Space washer	Intermediate gear	Driving shaft	Bearing	Bearing	Spring washer
SIV011.7	SIV011.8	SIV011.9	SIV011.10	SIV011.11	SIV011.13	CM263B	CM227	SIV011.20

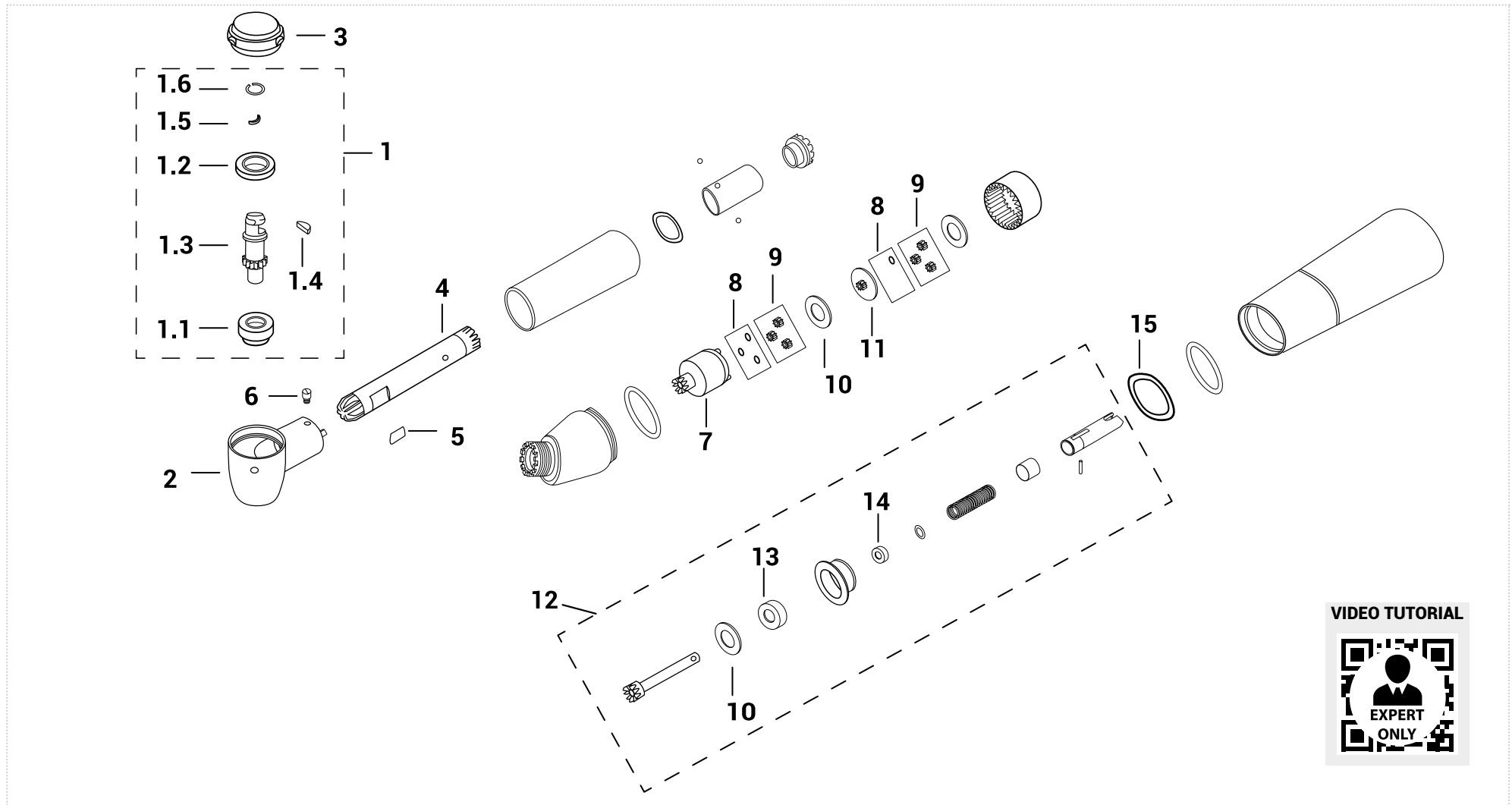
1.1 - 1.2 - 13 - 14						
Order code	Bearing	Size d.i/d.e/h(mm)	Cage	Balls	Contact	Type
	CU68LH	3 X 7 X 2.5/3.35	Steel	Steel	Radial	Myonic Smooth
	CU68PK	4 X 7 X 2	Steel	Steel	Radial	Myonic Smooth
	CM263B	2,380 X 7,938 X 3,571	Steel	Steel	Radial	Tecnomed Italia Smooth
	CM277	2,380 X 4,736 X 1,588	Steel	Steel	Radial	Tecnomed Italia Smooth

RELATED PRODUCTSS			
			
Back cap & screw key	Fits for spindles	Fits for angle	Lubrication
Order code	KIV460	CL5.001V	LIV1013
			Ivory® Silk Oil OL101S

Ivory® SL132C

32 : 1 Contra-angle - Green ring













CONTRA-ANGLES



Ivory® SL132C





32 : 1 Contra-angle - Green ring

CONTRA-ANGLES

											
1	1.1	1.2	1.3	1.4	1.5	1.6	2	3	4	5	6
Complete rotor	Bearing type (burs side)	Bearing type (push side)	Rotor without bearing	Segment	Slide	Wire Ring	Head	Push button	Driving shaft	Spring	Screw
Order code											
K5403231	CU68LH	CU68PK	K54N3231	S68SG	K68SFK	M68M	SP2101	SL6.001K	KTR67	L68L	VT55K

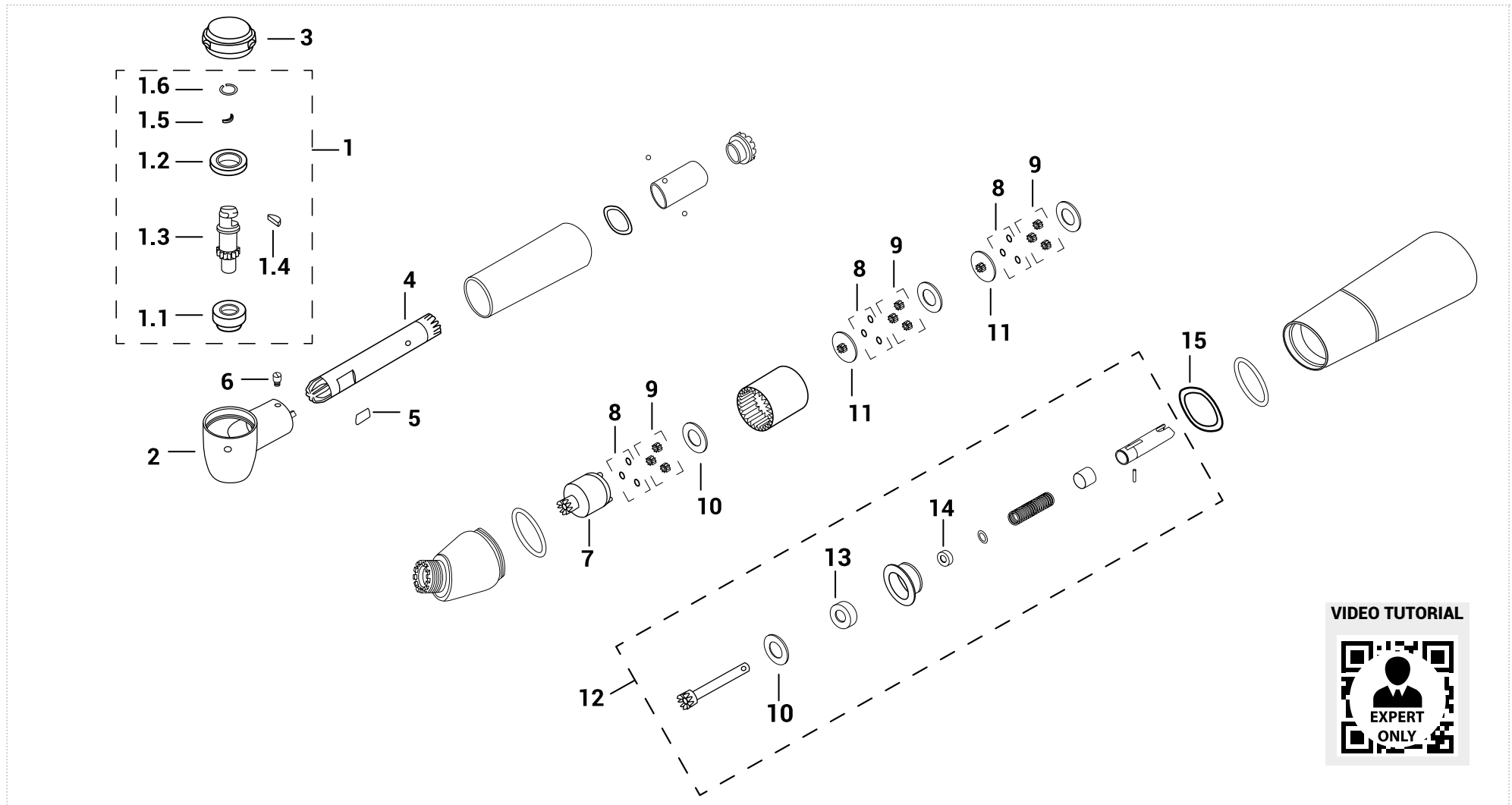
								
7	8	9	10	11	12	13	14	15
Crown	Gear spacer	Gear for terminal	Space washer	Intermediate gear	Driving shaft	Bearing	Bearing	Spring washer
SIV011.7	SIV011.8	SIV011.9	SIV011.10	SIV011.11	SIV011.13	CM263B	CM227	SIV011.20

1.1 - 1.2 - 13 - 14						
Bearing	Size d.i./d.e/h(mm)	Cage	Balls	Contact	Brand	Type
CU68LH	3 X 7 X 2.5/3.35	Steel	Steel	Radial	Myonic	Smooth
CU68PK	4 X 7 X 2	Steel	Steel	Radial	Myonic	Smooth
CM263B	2,380 X 7,938 X 3,571	Steel	Steel	Radial	Tecnomed Italia	Smooth
CM277	2,380 X 4,736 X 1,588	Steel	Steel	Radial	Tecnomed Italia	Smooth

RELATED PRODUCTSS			
			
Back cap & screw key	Fits for spindles	Fits for angle	Lubrication
Order code	KIV460	CL5.001V	LIV1013
			Ivory® Silk Oil OL101S

Ivory® SL164C 64 : 1 Contra-angle - Green ring













CONTRA-ANGLES



Ivory® SL164C

64 : 1 Contra-angle - Green ring

CONTRA-ANGLES

											
1	1.1	1.2	1.3	1.4	1.5	1.6	2	3	4	5	6
Complete rotor	Bearing type (burs side)	Bearing type (push side)	Rotor without bearing	Segment	Slide	Wire Ring	Head	Push button	Driving shaft	Spring	Screw
Order code											
K5403661	CU68LH	CU68PK	K54N3661	S68SG	K68SFK	M68M	K543631	SL6.001K	KTR68	L68L	VT55K

								
7	8	9	10	11	12	13	14	15
Crown	Gear spacer	Gear for terminal	Space washer	Intermediate gear	Driving shaft	Bearing	Bearing	Spring washer
SIV011.7	SIV011.8	SIV011.9	SIV011.10	SIV011.11	SIV011.13	CM263B	CM227	SIV011.20

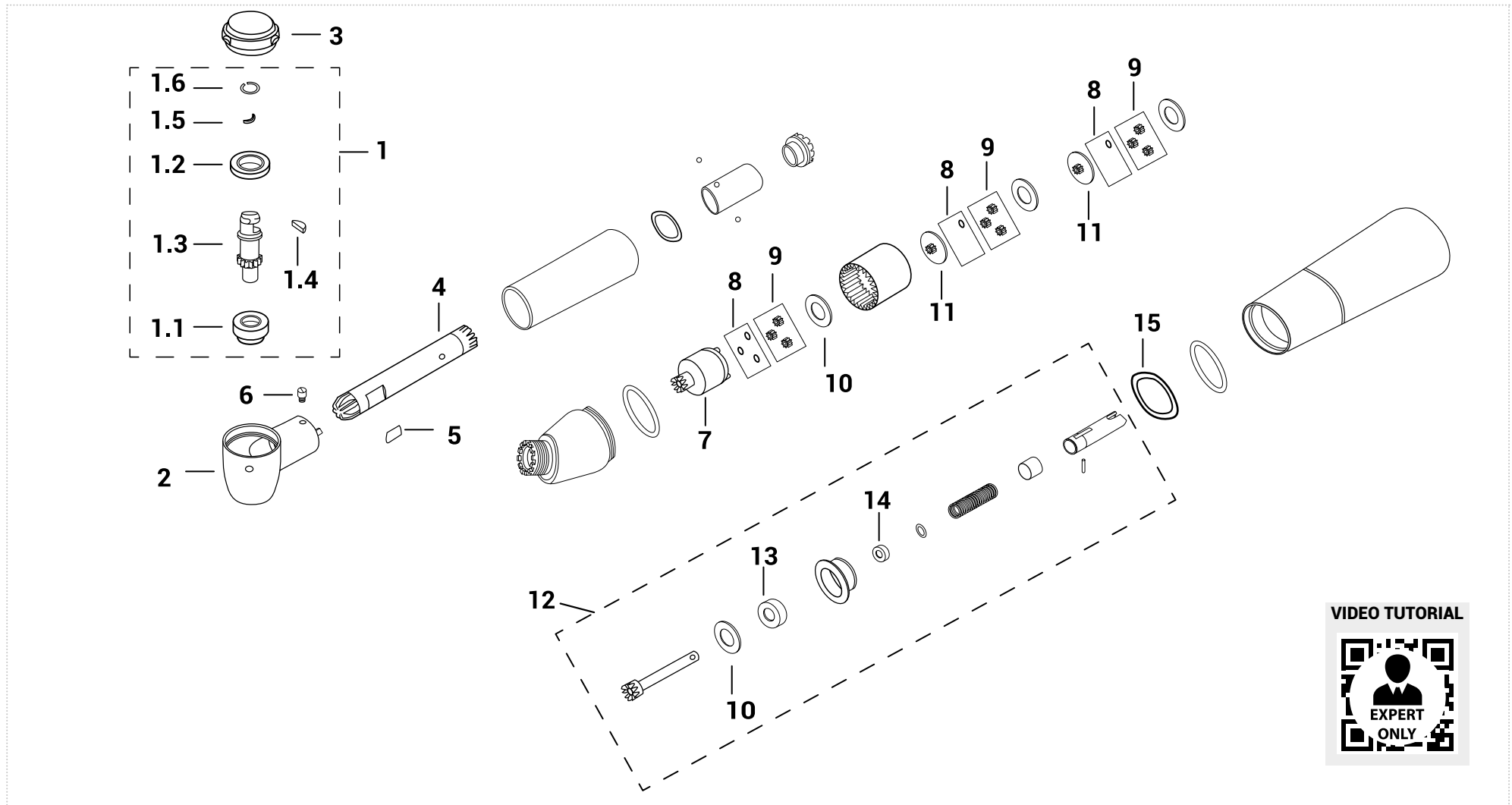
1.1 - 1.2 - 13 - 14						
Order code	Bearing	Size d.i/d.e/h(mm)	Cage	Balls	Contact	Type
	CU68LH	3 X 7 X 2.5/3.35	Steel	Steel	Radial	Myonic Smooth
	CU68PK	4 X 7 X 2	Steel	Steel	Radial	Myonic Smooth
	CM263B	2,380 X 7,938 X 3,571	Steel	Steel	Radial	Tecnomed Italia Smooth
	CM277	2,380 X 4,736 X 1,588	Steel	Steel	Radial	Tecnomed Italia Smooth

RELATED PRODUCTSS			
			
Back cap & screw key	Fits for spindles	Fits for angle	Lubrication
Order code	KIV460	CL5.001V	LIV1013
			Ivory® Silk Oil OL101S

Ivory® SL1128C

128 : 1 Contra-angle - Green ring













CONTRA-ANGLES



Ivory® SL1128C

128 : 1 Contra-angle - Green ring

CONTRA-ANGLES

											
1	1.1	1.2	1.3	1.4	1.5	1.6	2	3	4	5	6
Complete rotor	Bearing type (burs side)	Bearing type (push side)	Rotor without bearing	Segment	Slide	Wire Ring	Head	Push button	Driving shaft	Spring	Screw
Order code											
K5403231	CU68LH	CU68PK	K54N3231	S68SG	K68SFK	M68M	SP2101	SL6.001K	KTR67	L68L	VT55K

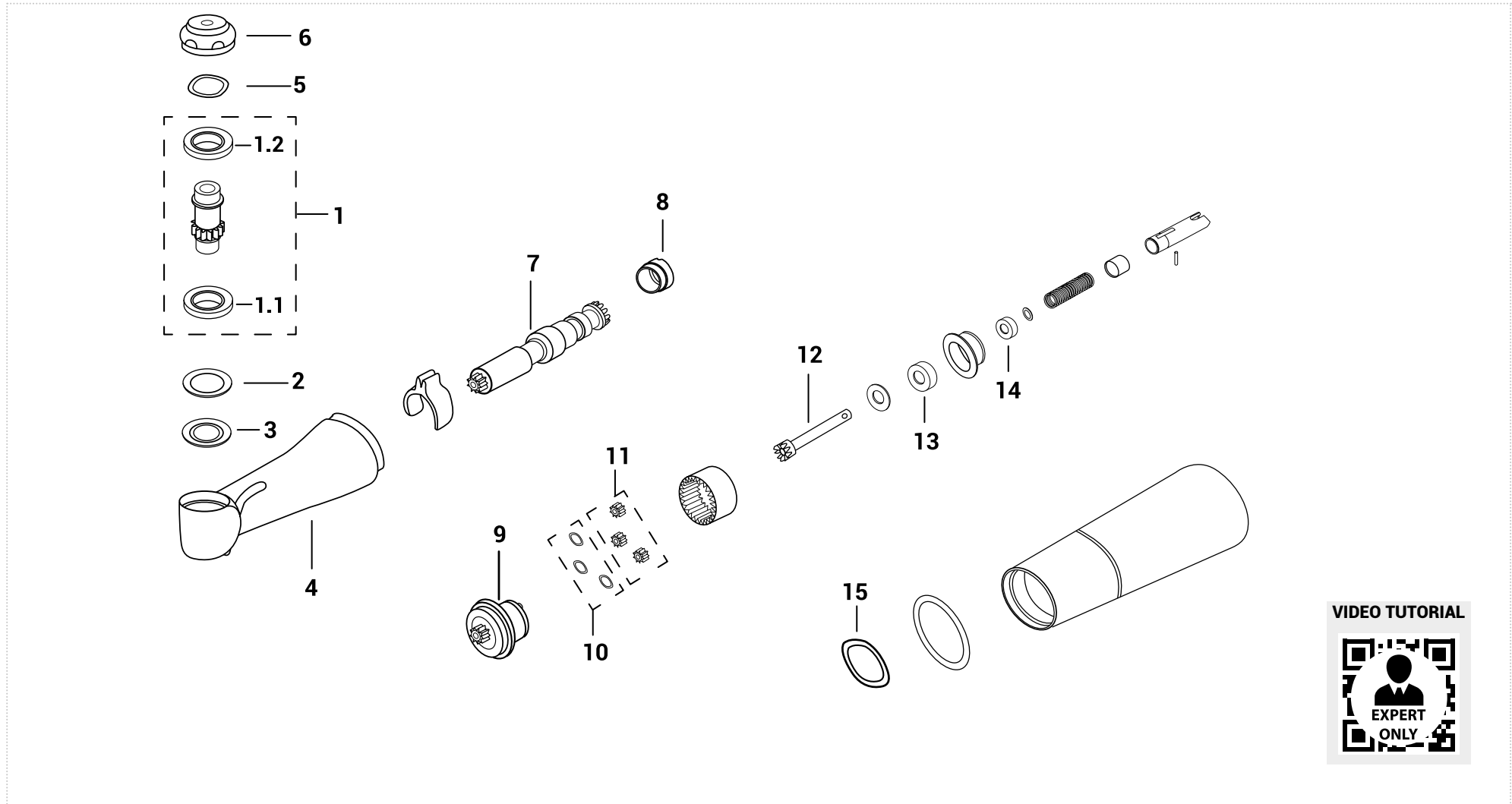
								
7	8	9	10	11	12	13	14	15
Crown	Gear spacer	Gear for terminal	Space washer	Intermediate gear	Driving shaft	Bearing	Bearing	Spring washer
SIV011.7	SIV011.8	SIV011.9	SIV011.10	SIV011.11	SIV011.13	CM263B	CM227	SIV011.20

1.1 - 1.2 - 13 - 14						
Order code	Bearing	Size d.i./d.e/h(mm)	Cage	Balls	Contact	Type
	CU68LH	3 X 7 X 2.5/3.35	Steel	Steel	Radial	Myonic Smooth
	CU68PK	4 X 7 X 2	Steel	Steel	Radial	Myonic Smooth
	CM263B	2,380 X 7,938 X 3,571	Steel	Steel	Radial	Tecnomed Italia Smooth
	CM277	2,380 X 4,736 X 1,588	Steel	Steel	Radial	Tecnomed Italia Smooth

RELATED PRODUCTSS			
			
Back cap & screw key	Fits for spindles	Fits for angle	Lubrication
Order code	KIV460	CL5.001V	LIV1013
			Ivory® Silk Oil OL101S

Ivory® SL4201C 20 : 1 Contra-angle - Green ring











CONTRA-ANGLES










Ivory® SL4201C

20 : 1 Contra-angle - Green ring

CONTRA-ANGLES

									
1	1.1	1.2	2	3	4	5	6	7	8
Complete rotor	Bearing type (burs side)	Bearing type (push side)	Metal shim	Rubber bushing for rotor	Head housing	Spring washer (push side)	Push button	Driving shaft	Tightening ring nut for driving shaft
Order code									
SIV011.23	CU68PK	CM512	DIV0070	GIV0003	SIV011.24	SIV0080	PIV011.0	SIV011.25	SIV011.26

						
9	10	11	12	13	14	15
Crown	Gear spacer	Gear for terminal	Lower driving shaft	Bearing type (upper transmission)	Bearing type (lower transmission)	Spring washer
SIV011.7	SIV011.8	SIV011.9	SIV011.28	CM263B	CM238	SIV011.20

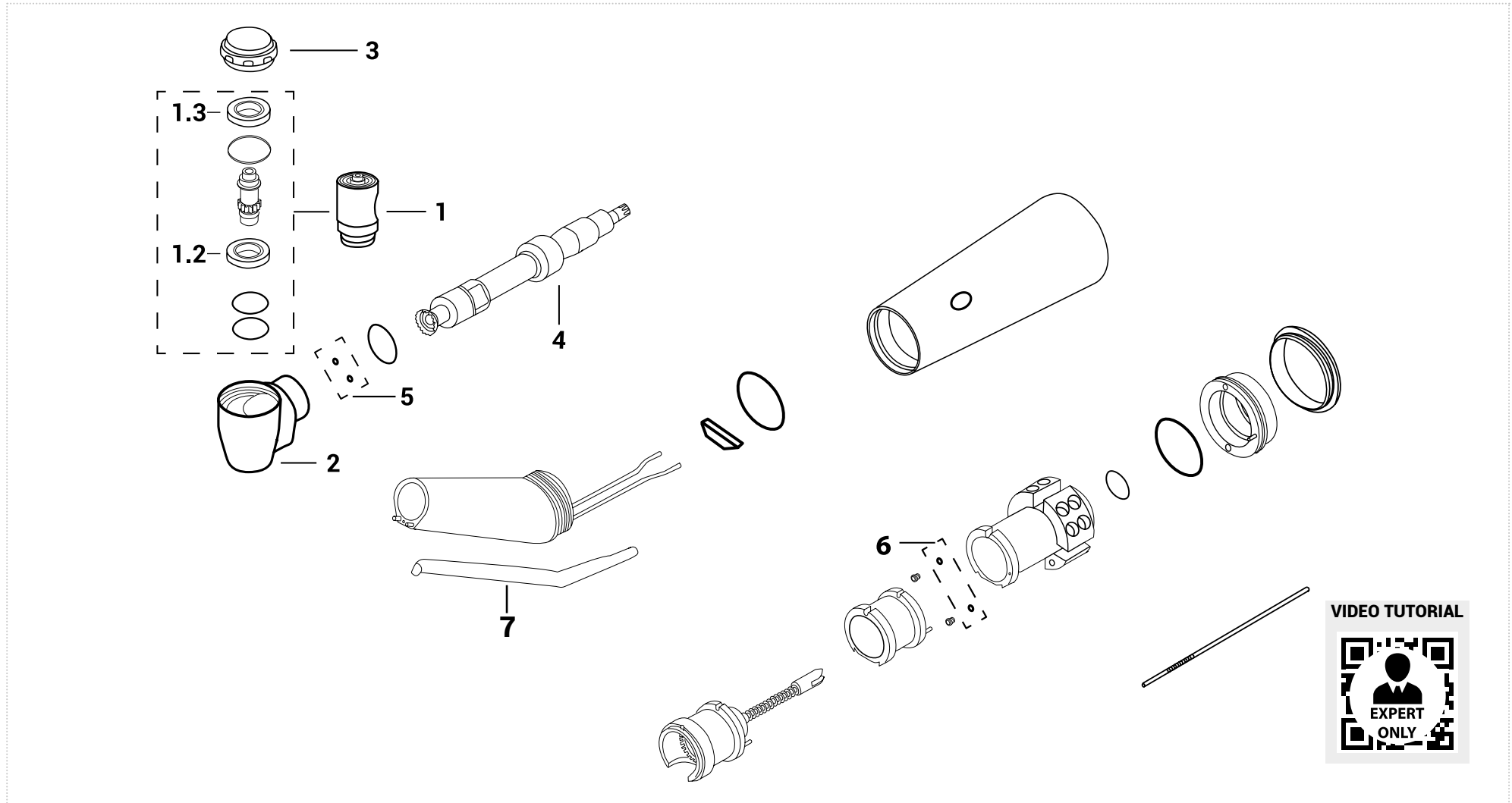
1.1 - 1.2 - 13 - 14						
Bearing	Size d.i/d.e/h(mm)	Cage	Balls	Contact	Brand	Type
CU68PK	4 X 7 X 2	Steel	Steel	Radial	Myonic	Smooth
CM512	4 X 7 X 2	Steel	Steel	Radial	Myonic	Smooth
CM263B	2,380 X 7,938 X 3,571	Steel	Steel	Radial	Tecnomed Italia	Smooth
CM238	2,380 X 4,736 X 2,380	Steel	Steel	Radial	Tecnomed Italia	Smooth

RELATED PRODUCTS				
				
Push button key	Driving shaft key	Fits for spindles	Fits for angle	Lubrication
Order code				
IK110	IK111	CL5.001V	LIV1013	Ivory® Silk Oil OL101S

Ivory® SL415C/L*
1:5 Contra-angle - Red ring

*S/N < 2201000

CONTRA-ANGLES




Ivory® SL415C/L*
1:5 Contra-angle - Red ring

*S/N < 2201000

CONTRA-ANGLES

									
1	1.1	1.2	2	3	4	5	6	7	
Complete rotor	Bearing type (burs side)	Bearing type (push side)	Head housing	Push button	Driving shaft	O-ring head	O-ring body	Glass optic road	
Order code	SIV041.1	SB200W	SB200W	SIV041.2	PIV041.0	SIV041.3	OIV170	OIV170	SIV041.4

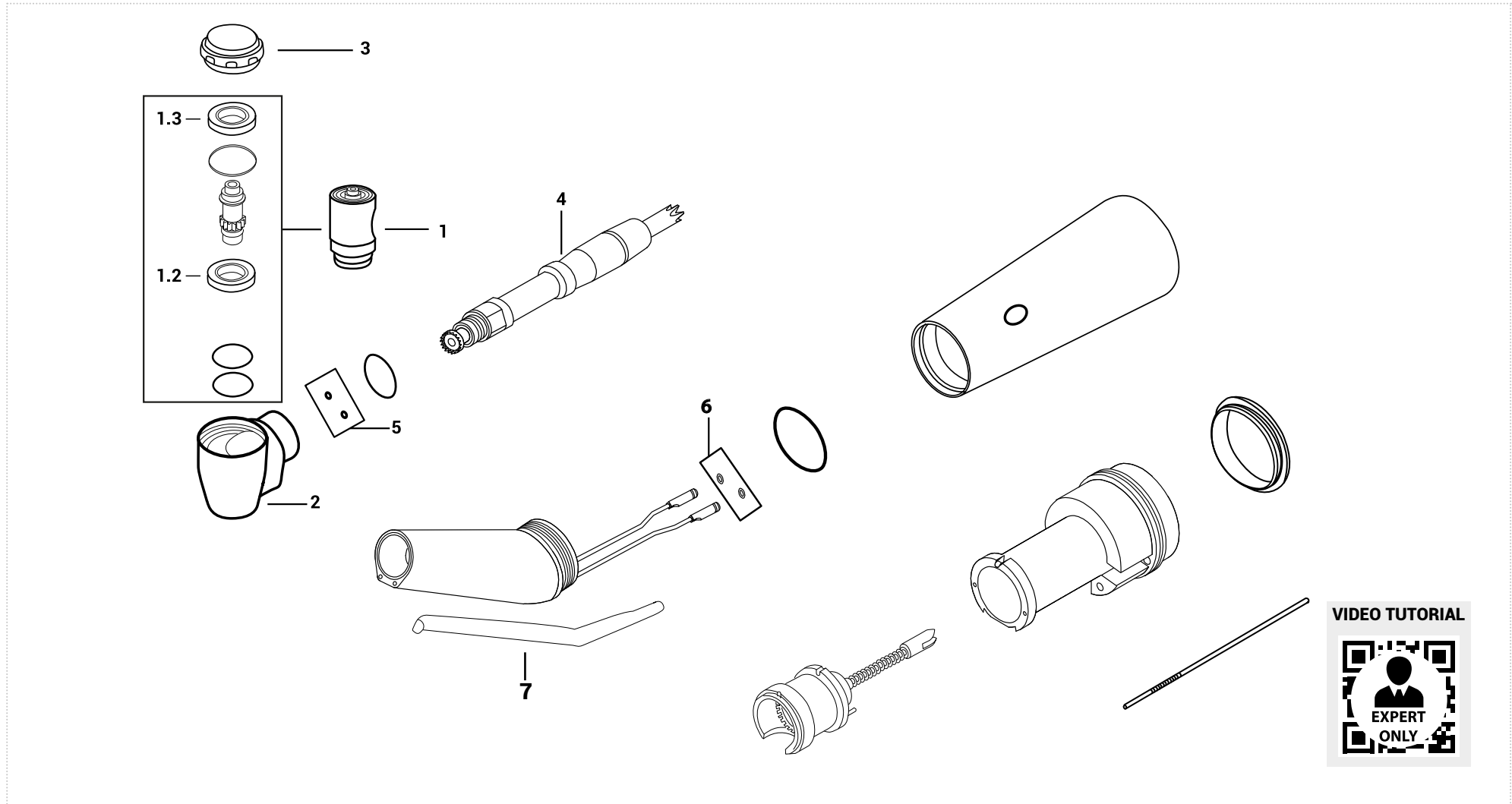
1.1 - 1.2							
Order code	Bearing	Size d.i./d.e/h(mm)	Cage	Balls	Contact	Brand	Type
SB200W		4 X 7 X 2	Torlon	Ceramic	Angular	Myonic	Smooth

RELATED PRODUCTS					
					
Push button key	Driving shaft key	Fits for spindles	Fits for angle	Lubrication	
Order code	IK452	Nipper	CL5.001V	LIV1013	Ivory® Silk Oil OL101S

Ivory® SL415C/L*
1:5 Contra-angle - Red ring

*S/N > 2201001

CONTRA-ANGLES







Ivory® SL415C/L*
1:5 Contra-angle - Red ring

*S/N > 2201001

CONTRA-ANGLES

								
1	1.1	1.2	2	3	4	5	6	7
Complete rotor	Bearing type (burs side)	Bearing type (push side)	Head housing	Push button	Driving shaft	O-ring head	O-ring body	Glass optic road
SIV045.1	SB200W	SB200W	SIV045.2	PIV041.0	SIV045.3	OIV170	OIV189	SIV041.4

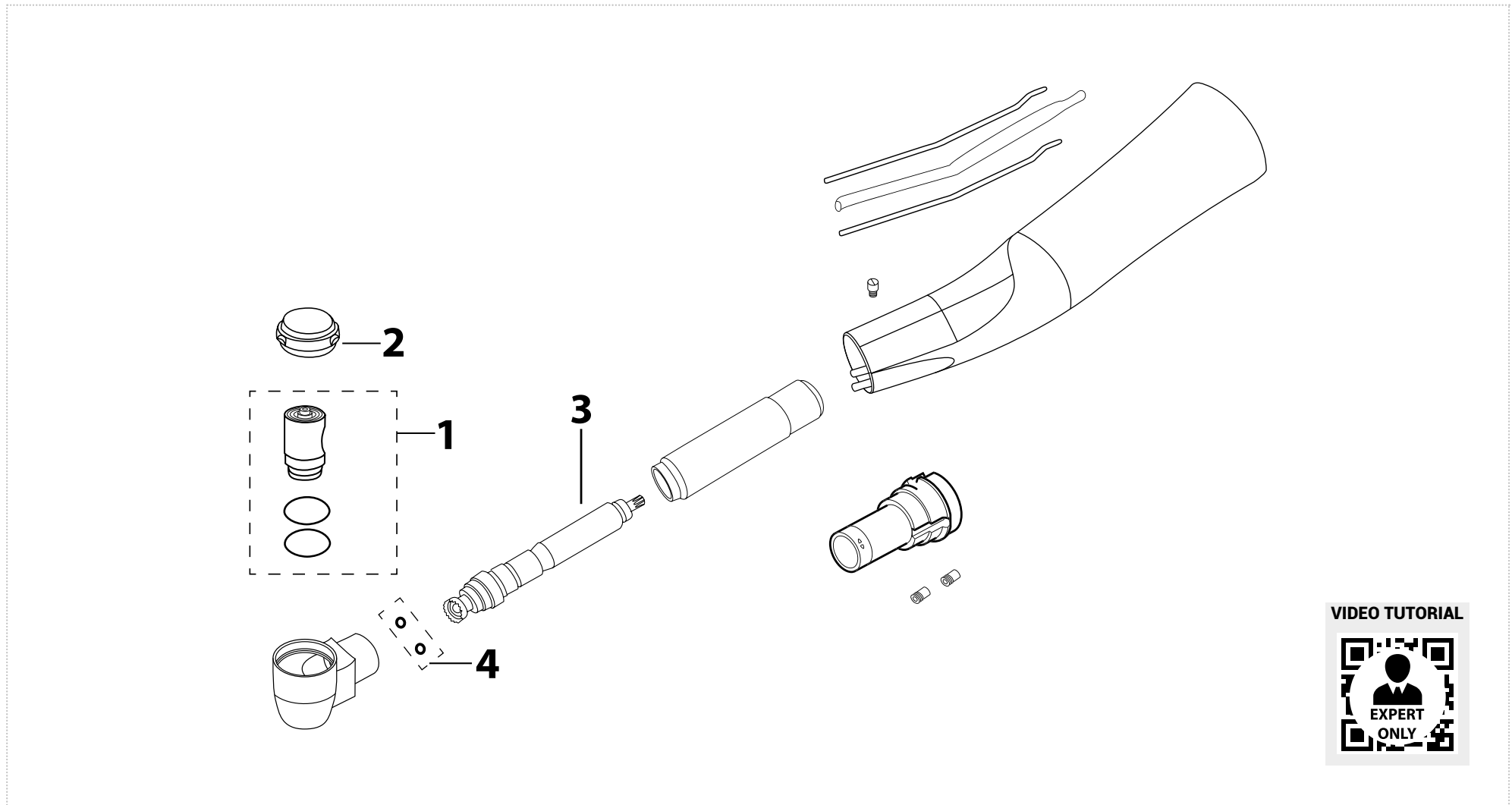
1.1 - 1.2						
Bearing	Size d.i./d.e/h(mm)	Cage	Balls	Contact	Brand	Type
SB200W	4 X 7 X 2	Torlon	Ceramic	Angular	Myonic	Smooth

RELATED PRODUCTS				
				
Push button key	Driving shaft key	Fits for spindles	Fits for angle	Lubrication
IK452	Nipper	CL5.001V	LIV1013	Ivory® Silk Oil OL101S

Mk-Dent® LS2115L

1 : 5 Contra-angle - Red ring







CONTRA-ANGLES







Mk-Dent® LS2115L

1 : 5 Contra-angle - Red ring

CONTRA-ANGLES

					
1	1.1	1.2	2	3	4
Complete rotor	Bearing type (burs side)	Bearing type (push side)	Push button	Driving shaft	O-ring head
Order code C600C015003	SB200W	SB200W	1000TM0664	NOT AVAILABLE	NOT AVAILABLE

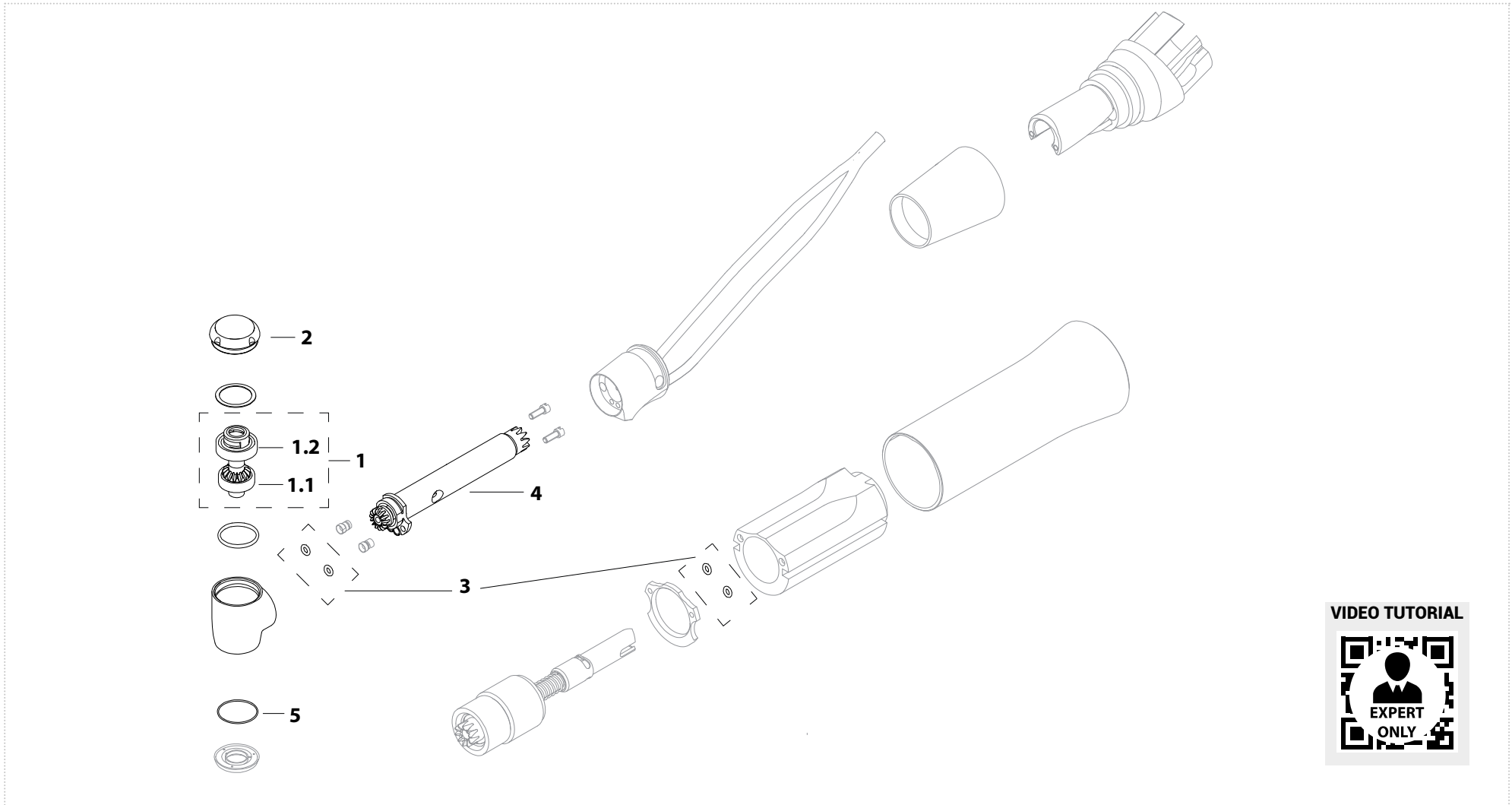
1.1 - 1.2							
Order code	Bearing	Size d.i./d.e/h(mm)	Cage	Balls	Contact	Brand	Type
SB200W		4 X 7 X 2	Torlon	Ceramic	Angular	Myonic	Smooth

RELATED PRODUCTS				
				
Push button key	Base insert removal tool	Fits for spindles	Fits for angle	Lubrication
Order code KIV2011M	IK2015	CL5.001V	LIV1013	Ivory® Silk Oil OL101S

Bien Air® CA 1:1 L / Diamline Contra-angle blue ring

*Valid from S.N. 07E0001

CONTRA-ANGLES










VIDEO TUTORIAL



Bien Air® CA 1:1 L / Diamline - Contra-angle blue ring

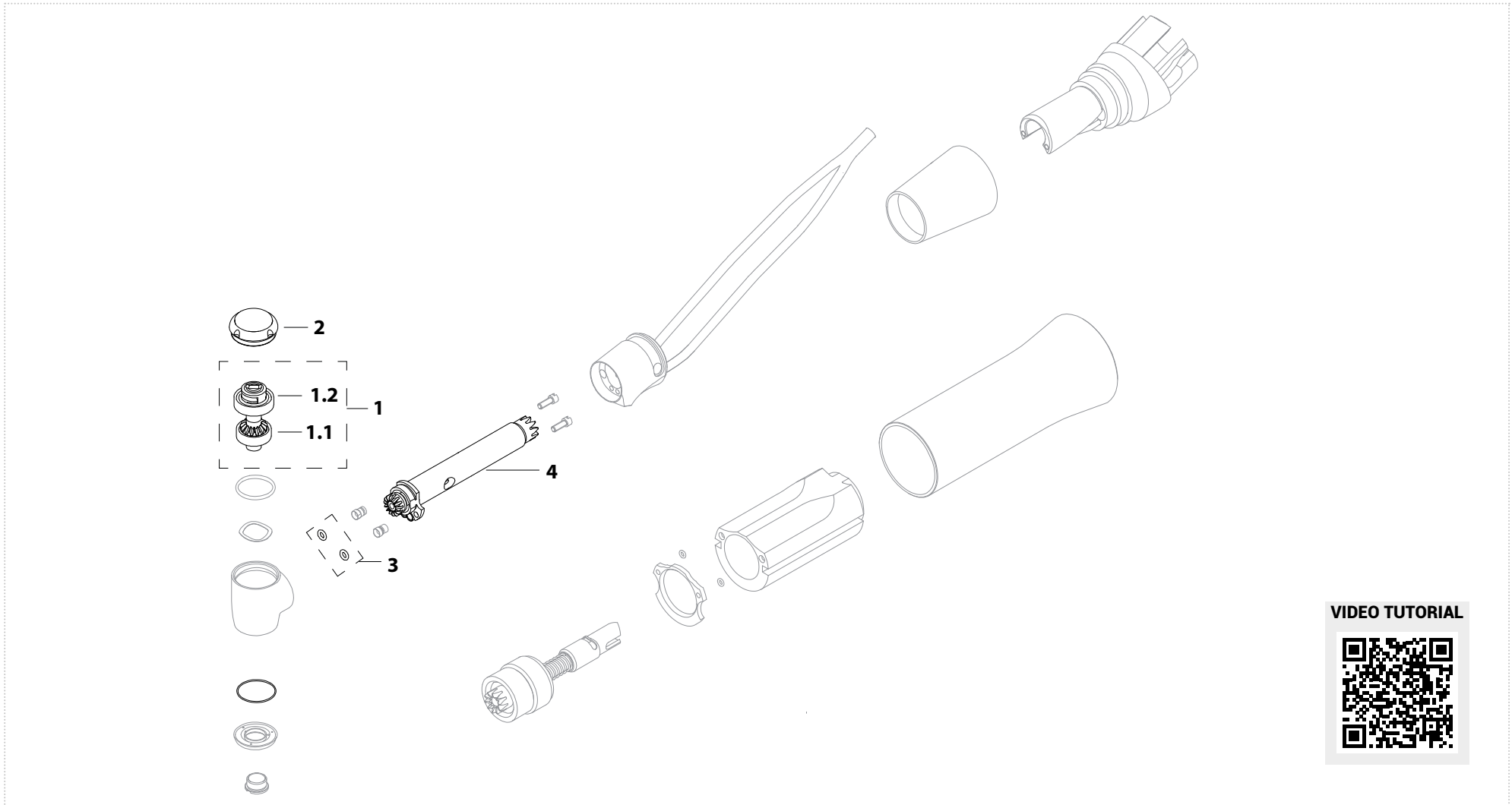
*Valid from S.N. 07E0001

CONTRA-ANGLES







						
1	1.1	1.2	2	3	4	5
Complete rotor	Bearing type (burs side)	Bearing type (push side)	Push button	O-ring head and body	Driving shaft	O-ring cover spray
Order code	CU68PK	CM512	150TM0150	705TM0246	150TM1083	7050267
	CU68PKG	CM512G				

1.1 - 1.2							
	Bearing	Size d.i./d.e/h(mm)	Cage	Balls	Contact	Brand	Type
Order code	CU68PK	4 X 7 X 2	Steel	Steel	Radial	Myonic	Smooth
	CU68PKG	4 X 7 X 2	Steel	Steel	Radial	Grw	Smooth
	CM512	5 X 8 X 2	Steel	Steel	Radial	Myonic	Smooth
	CM512G	5 X 8 X 2	Steel	Steel	Radial	Grw	Smooth



RELATED PRODUCTS				
				
	Push button key	Fits for spindles	Fits for angle	Lubrication
Order code	KIV0025B	CL5.001V	LIV1013	Ivory® Silk Oil OL101S

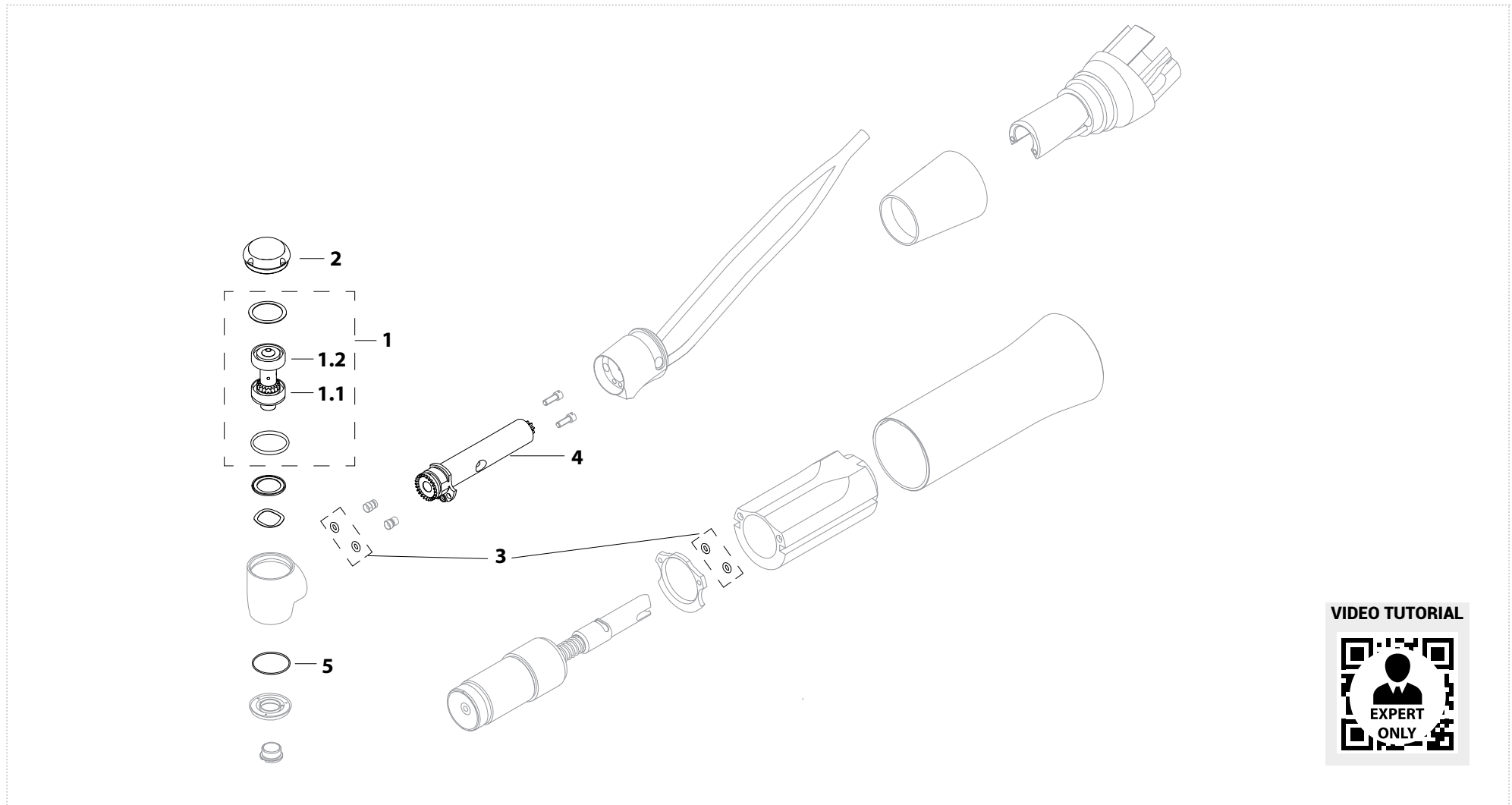


Bien Air® CA 20:1 L/Diamline - Contra-angle green ring

						
	1	1.1	1.2	2	3	4
	Complete rotor	Bearing type (burs side)	Bearing type (push side)	Push button	O-ring Head	Driving Shaft
Order code	150TM1028	CU68PK	CM512	150TM1027	705TM0246	150TM1026
		CU68PKG	CM512G			

1.1 - 1.2							
	Bearing	Size d.i/d.e/h(mm)	Cage	Balls	Contact	Brand	Type
Order code	CU68PK	4 X 7 X 2	Steel	Steel	Radial	Myonic	Smooth
	CU68PKG	4 X 7 X 2	Steel	Steel	Radial	Grw	Smooth
	CM512	5 X 8 X 2	Steel	Steel	Radial	Myonic	Smooth
	CM512G	5 X 8 X 2	Steel	Steel	Radial	Grw	Smooth

RELATED PRODUCTS				
				
	Push button key	Fits for spindles	Fits for angle	Lubrication
Order code	KIV0025B	CL5.001V	LIV1013	Ivory® Silk Oil OL101S





VIDEO TUTORIAL



Bien Air® CA 1:5 L - Contra-angle Red ring

							
	1	1.1	1.2	2	3	4	5
	Complete rotor	Bearing type (burs side)	Bearing type (push side)	Push button	O-ring head and body	Driving Shaft	O-ring diffuser
Order code	150TM1933	SB200W	SB200W	PIVB15CA	705TM0246	BTR15CA	7050267

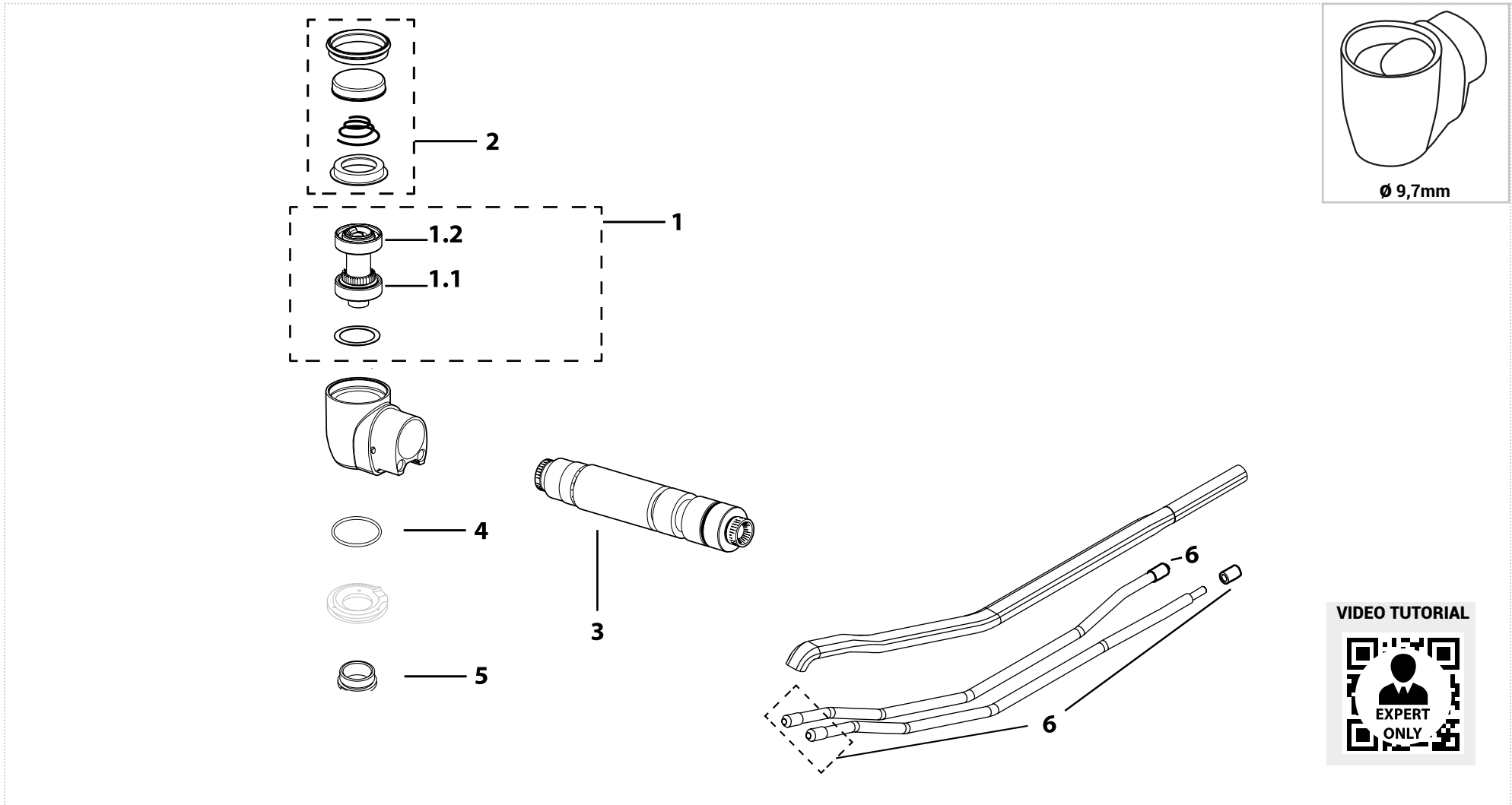
1.1 - 1.2							
	Bearing	Size d.i/d.e/h(mm)	Cage	Balls	Contact	Brand	Type
Order code	SB200W	4 X 7 X 2	Torlon	Ceramic	Angular	Myonic	Smooth

RELATED PRODUCTS			
			
Push button key	Fits for spindles	Fits for angle	Lubrication
Order code	KIV0025B	CL5.001V	LIV1013 Ivory® Silk Oil OL101S

SIRONA® T1 LINE C40/L

Contra-angle blue ring

CONTRA-ANGLES



SIRONA® T1 LINE C40/L

Contra-angle blue ring

CONTRA-ANGLES



	1	1.1	1.2	2	3	4	5	6
	Complete rotor	Bearing type (burs side)	Bearing type (push side)	Push button complete	Driving shaft	O-ring spray	Cover spray screw	O-ring head
Order code	SR040L	CM315	CU68PK	8925TM917	SRT11	704TM3854	585TM5890	3328163
		CM315G	CU68PKG					

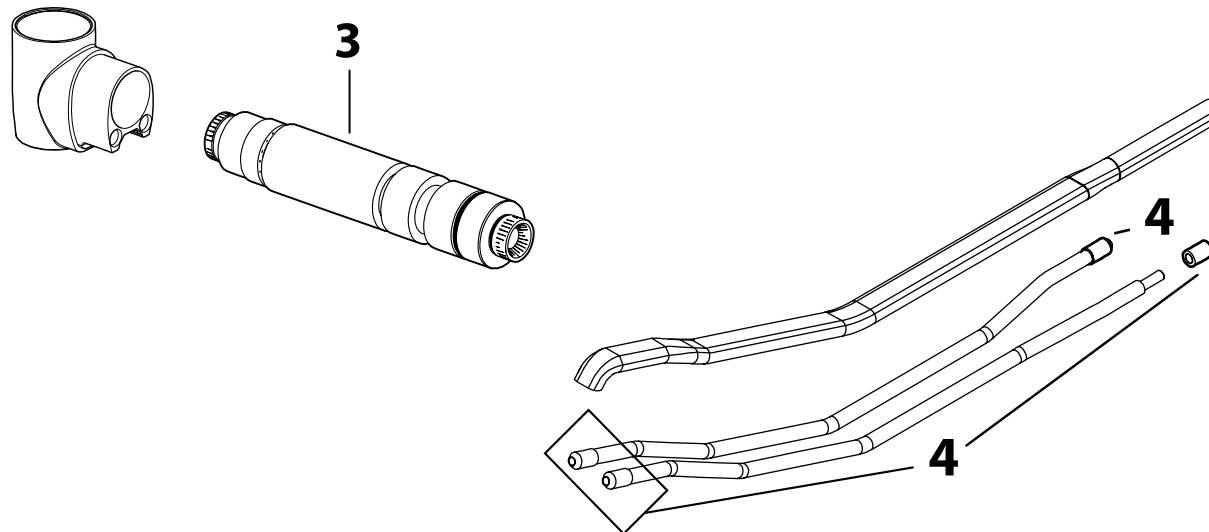
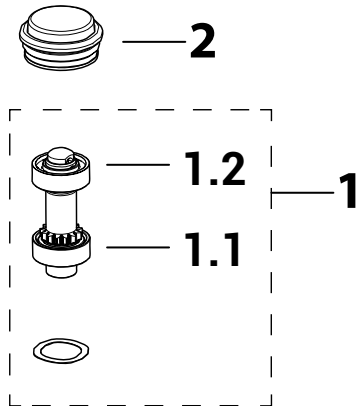
1.1 - 1.2						
Bearing	Size d.i/d.e/h(mm)	Cage	Balls	Contact	Brand	Type
CM315	3 X 7 X 2	Steel	Steel	Radial	Tecnomed Italia	Smooth
CM315G	3 X 7 X 2	Steel	Steel	Radial	GRW	Smooth
CU68PK	4 X 7 X 2	Steel	Steel	Radial	Tecnomed Italia	Smooth
CU68PKG	4 X 7 X 2	Steel	Steel	Radial	GRW	Smooth

RELATED PRODUCTS			
Push button key	Fits for spindle	Fits for angle	Lubrication
Order code	KIV4020	CL5.001V	LIV1013 Ivory® Silk Oil OL101S

SIRONA® T2 LINE A40/L T3 LINE E40/L

Contra-angle blue ring

CONTRA-ANGLES









VIDEO TUTORIAL

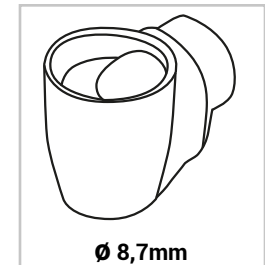


SIRONA® T2 LINE A40/L T3 LINE E40/L

Contra-angle blue ring

CONTRA-ANGLES

						
	1	1.1	1.2	2	3	4
	Complete rotor	Bearing type (burs side)	Bearing type (push side)	Push button	Driving shaft	O-ring Head
Order code	0594TM3092	CM311	CN56W	604TM8329	SRT11	3328163
		CM311G	CN56WG			



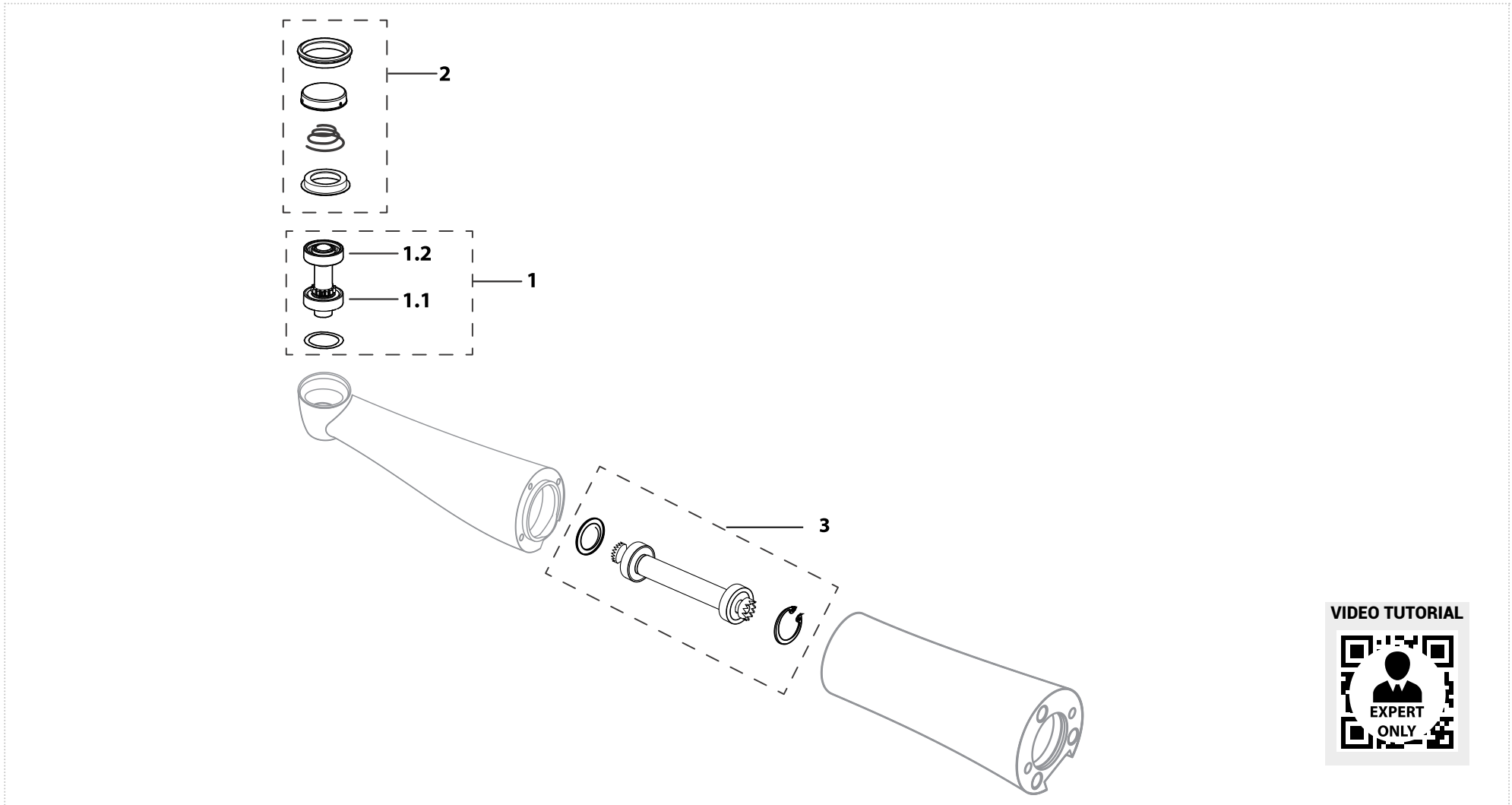
1.1 - 1.2						
Bearing	Size d.i/d.e/h(mm)	Cage	Balls	Contact	Brand	Type
CM311	3 X 6 X 2	Steel	Steel	Radial	Tecnomed Italia	Smooth
CM311G	3 X 6 X 2	Steel	Steel	Radial	GRW	Smooth
CN56W	4 X 7 X 1,6	Steel	Steel	Radial	Tecnomed Italia	Smooth
CN56WG	4 X 7 X 1,6	Steel	Steel	Radial	GRW	Smooth

RELATED PRODUCTS			
			
Push button key	Fits for spindle	Fits for angle	Lubrication
Order code	KIV4020	CL5.001V	LIV1013 Ivory® Silk Oil OL101S

SIRONA® T2 REVO R40/L

Contra-angle blue ring

CONTRA-ANGLES








VIDEO TUTORIAL



SIRONA® T2 REVO R40/L

Contra-angle blue ring

CONTRA-ANGLES

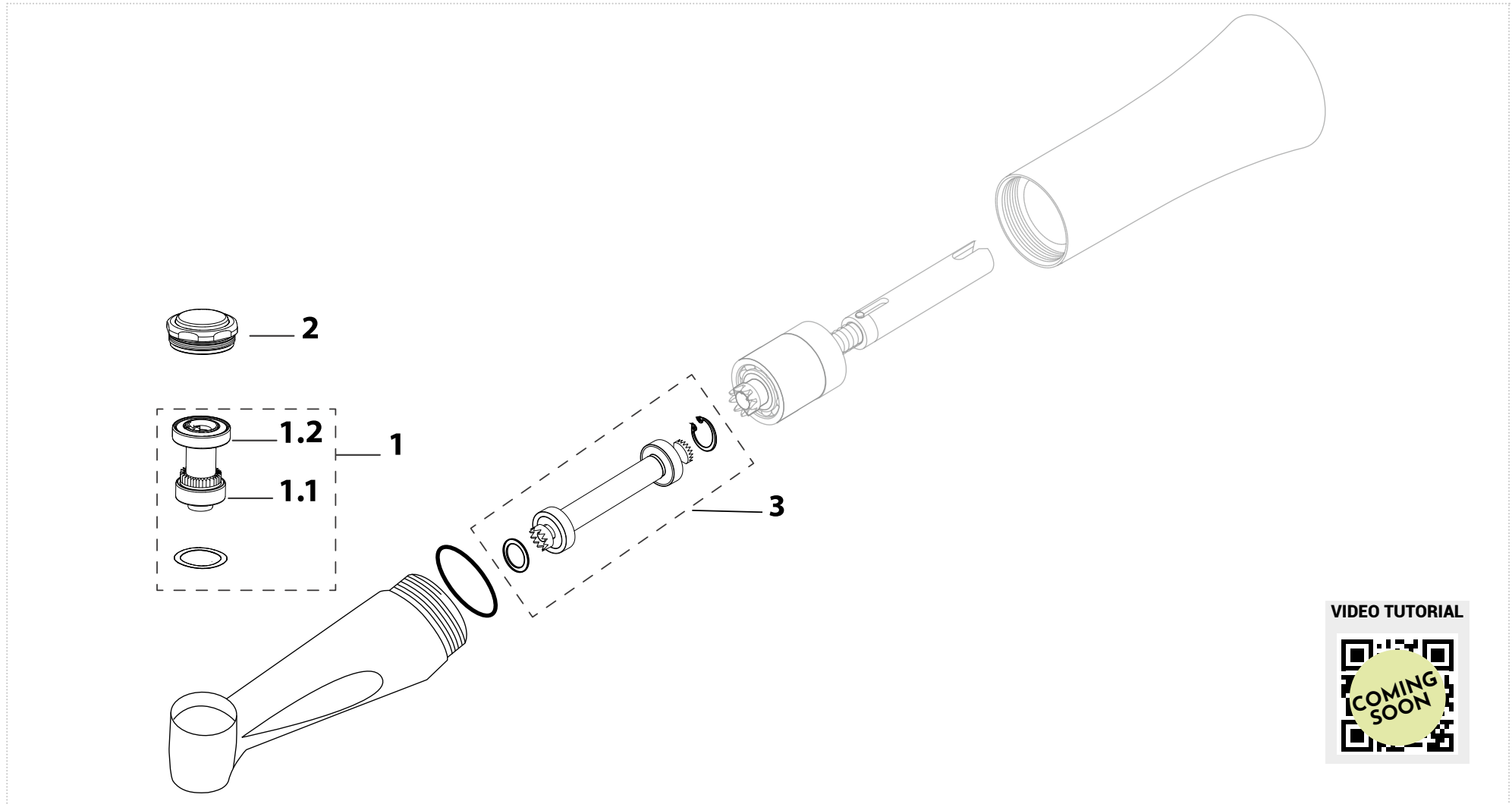
				
1	1.1	1.2	2	3
Complete rotor	Bearing type (burs side)	Bearing type (push side)	Push button	Driving shaft
Order code	SR041L	CM311	8925TM917	594TM3167
		CM311G		

1.1 - 1.2						
Bearing	Size d.i/d.e/h(mm)	Cage	Balls	Contact	Brand	Type
CM311	3 X 6 X 2	Steel	Steel	Radial	Tecnomed Italia	Smooth
CM311G	3 X 6 X 2	Steel	Steel	Radial	GRW	Smooth
CU68PK	4 X 7 X 2	Steel	Steel	Radial	Myonic	Smooth
CU68PKG	4 X 7 X 2	Steel	Steel	Radial	GRW	Smooth

RELATED PRODUCTS			
			
Push button key	Fits for spindle	Fits for angle	Lubrication
Order code	KIV4020	CL5.001V	LIV1013 Ivory® Silk Oil OL101S

SIRONA® T4 LINE B40 Contra-angle blue ring






CONTRA-ANGLES



SIRONA® T4 LINE B40

Contra-angle blue ring

CONTRA-ANGLES

					
	1	1.1	1.2	2	3
	Complete rotor	Bearing type (burs side)	Bearing type (push side)	Push button	Driving shaft
Order code	0594TM3092	CM311	CN56W	AVAILABLE ON REQUEST	SRT40
		CM311G	CN56WG		

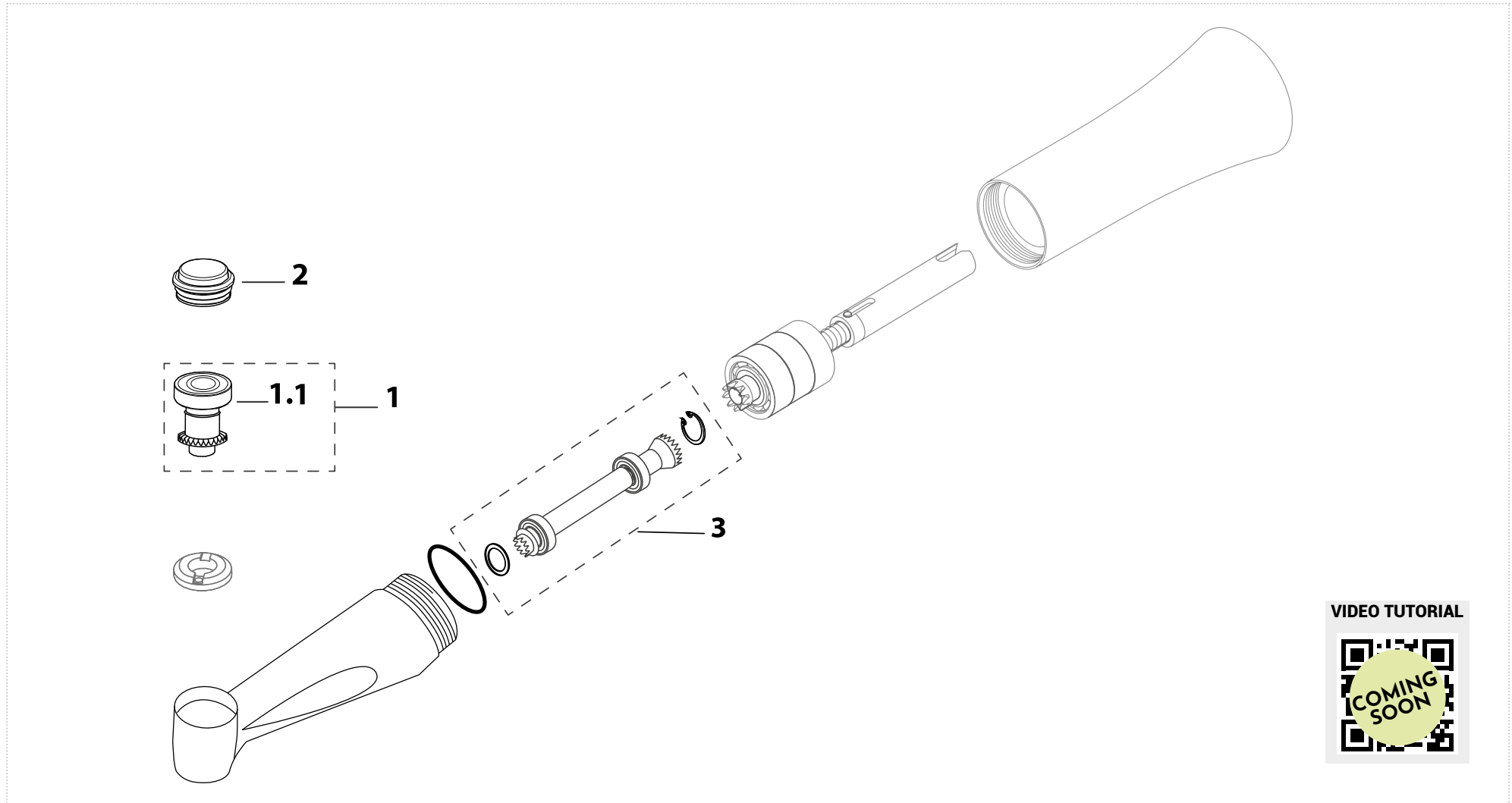
1.1 - 1.2							
	Bearing	Size d.i/d.e/h(mm)	Cage	Balls	Contact	Brand	Type
Order code	CM311	3 X 6 X 2	Steel	Steel	Radial	Tecnomed Italia	Smooth
	CM311G	3 X 6 X 2	Steel	Steel	Radial	GRW	Smooth
	CN56W	4 X 7 X 1,6	Steel	Steel	Radial	Tecnomed Italia	Smooth
	CN56WG	4 X 7 X 1,6	Steel	Steel	Radial	GRW	Smooth

RELATED PRODUCTS

			
	Fits for spindle	Fits for angle	Lubrication
Order code	CL5.001V	LIV1013	Ivory® Silk Oil OL101S

SIRONA® ENDO 6:1 Contra-angle green ring

CONTRA-ANGLES



VIDEO TUTORIAL





SIRONA® ENDO 6:1 Contra-angle green ring

				
	1	1.1	2	3
	Sub-assembly rotor	Bearing type (push side)	Push button	Driving shaft
Order code	SR206C	CU68PK	PIV206C	KTR206C



1.1								
	Bearing	Size d.i/d.e/h(mm)	Cage	Balls	Contact	Abec	Brand	Type
Order code	CU68PK	4 X 7 X 2	Steel	Steel	Radial	7	Myonic	Smooth

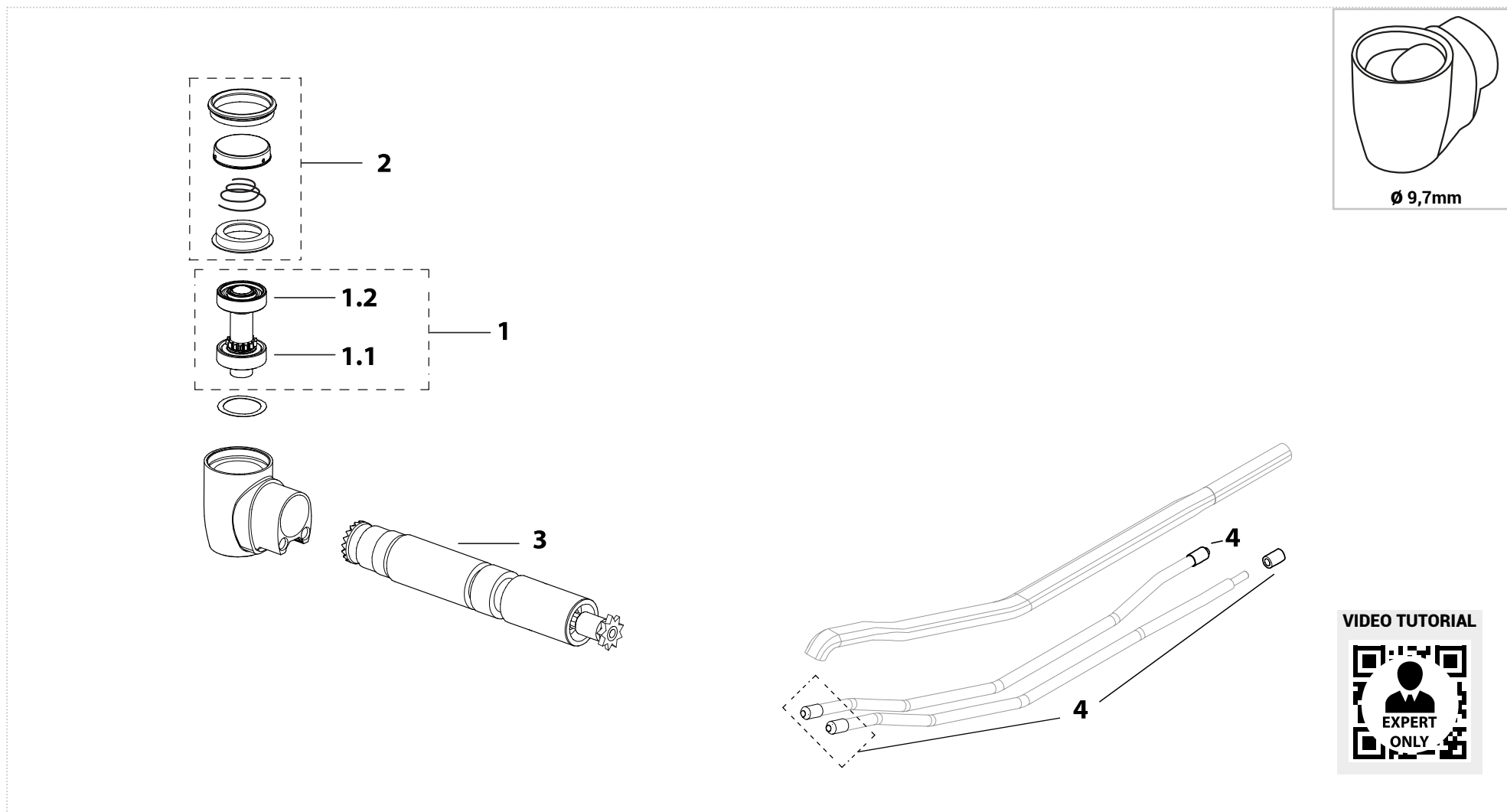
		
	Push button key	Lubrication
Order code	KIV4020	Ivory® Silk Oil OL101S

SIRONA® T1 LINE C200/L - T2 LINE A 200/L - T2 LINE A170/L - T3 LINE E200/L

Contra-angle red ring

GEAR 13 Z Ø 9,7 mm

CONTRA-ANGLES









SIRONA® T1 LINE C200/L - T2 LINE A 200/L - T2 LINE A170/L - T3 LINE E200/L

Contra-angle red ring

GEAR 13 Z Ø 9,7 mm

CONTRA-ANGLES




						
	1	1.1	1.2	2	3	4
	Complete rotor	Bearing type (burs side)	Bearing type (push side)	Push button	Driving shaft	O-ring Head
Order code	SR200L*	SB200W	SB200W	PIV206C	STR5603	3328163

* GEAR 13 Z
Ø 9,7 mm

1.1 - 1.2						
	Bearing	Size d.i/d.e/h(mm)	Cage	Balls	Contact	Type
Order code	SB200W	4 X 7 X 2	Torlon	Ceramic	Angular	Smooth

RELATED PRODUCTS

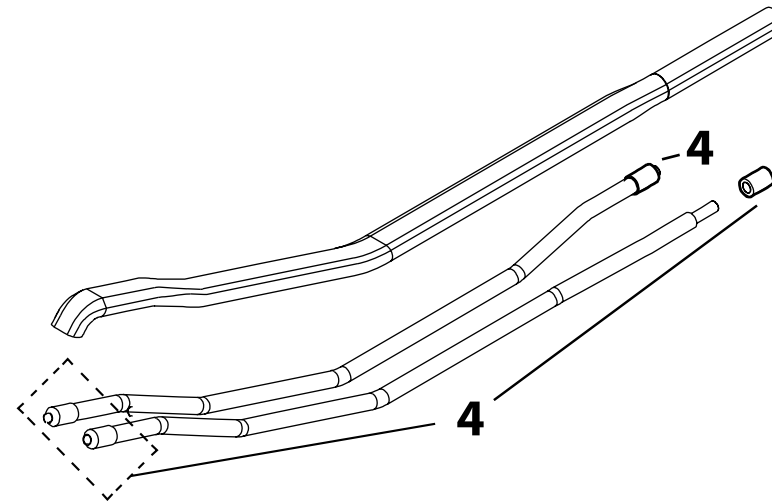
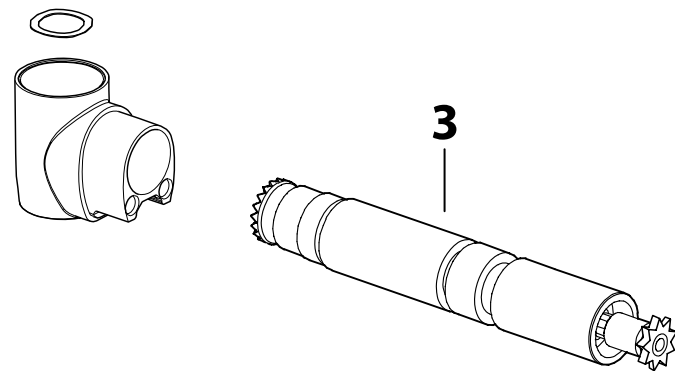
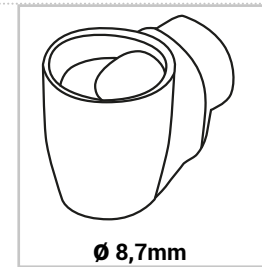
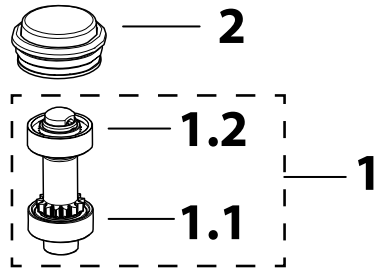
				
	Push button key	Fits for spindle	Fits for angle	Lubrication
Order code	KIV4020	CL5.001V	LIV1013	Ivory® Silk Oil OL101S

SIRONA® T1 LINE C200/L - T2 LINE A200L - T3 LINE E200/L - C200L MINI - S200L

Contra-angle red ring

GEAR 13 Z Ø 8,7 mm

CONTRA-ANGLES



VIDEO TUTORIAL









SIRONA® T1 LINE C200/L - T2 LINE A200L - T3 LINE E200/L - C200L MINI - S200L

Contra-angle red ring

GEAR 13 Z Ø 8,7 mm

CONTRA-ANGLES



						
	1	1.1	1.2	2	3	4
	Complete rotor	Bearing type (burs side)	Bearing type (push side)	Push button	Driving shaft	O-ring Head
Order code	SR201L *	SB224F	SB224F	604TM9337	STR5603	3328163

* GEAR 13 Z
Ø 8,7 mm

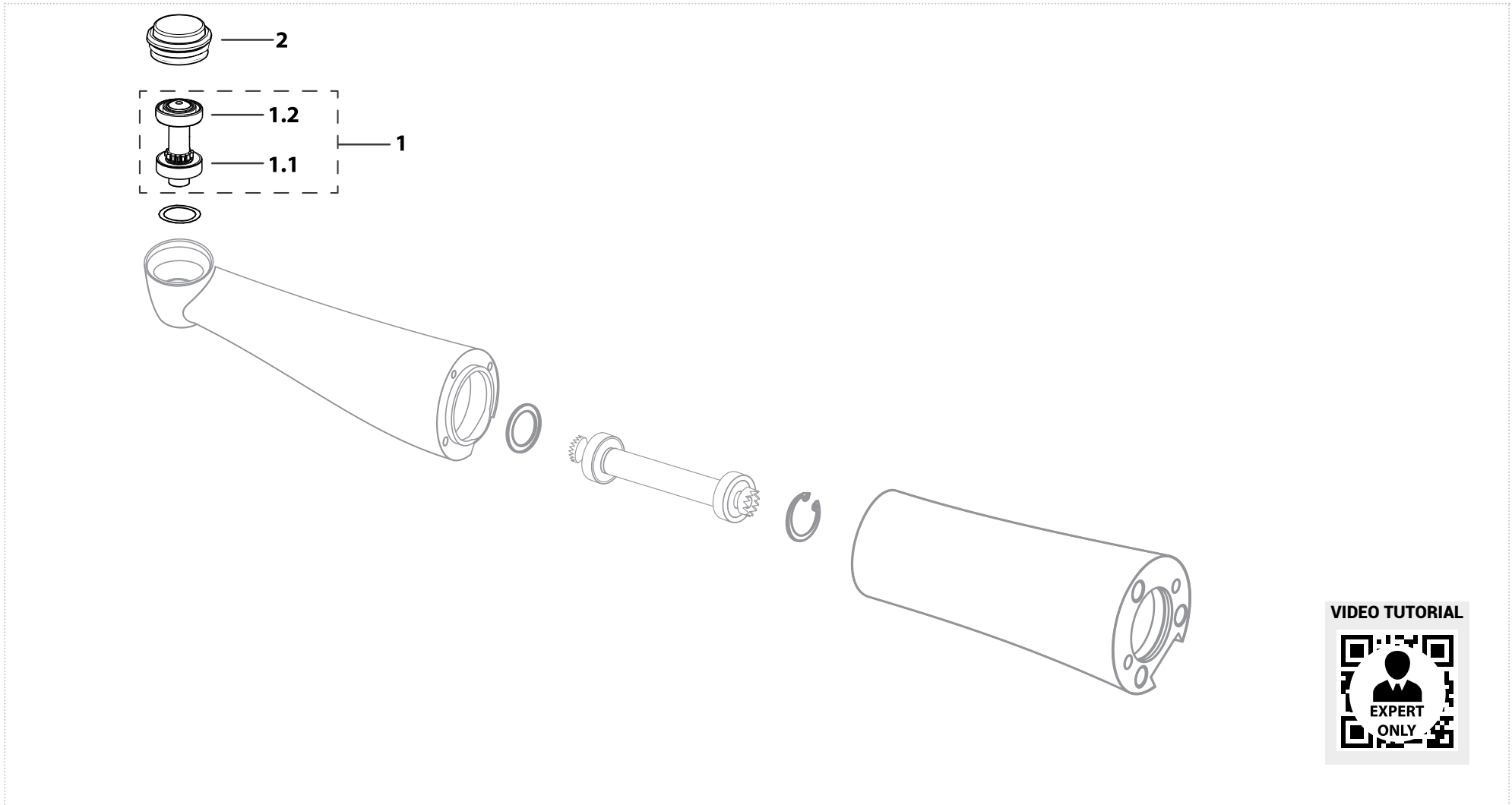
1.1 - 1.2							
	Bearing	Size d.i/d.e/h(mm)	Cage	Balls	Contact	Brand	Type
Order code	SB224F	3,175 X 6 X 2	Torlon	Ceramics	Radial	TMI	Smooth

RELATED PRODUCTS			
			
Push button key	Fits for spindle	Fits for angle	Lubrication
Order code	KIV4020	CL5.001V	LIV1013 Ivory® Silk Oil OL101S

SIRONA® T2 REVO R170

Contra-angle red ring

CONTRA-ANGLES







VIDEO TUTORIAL



SIRONA® T2 REVO R170

Contra-angle red ring

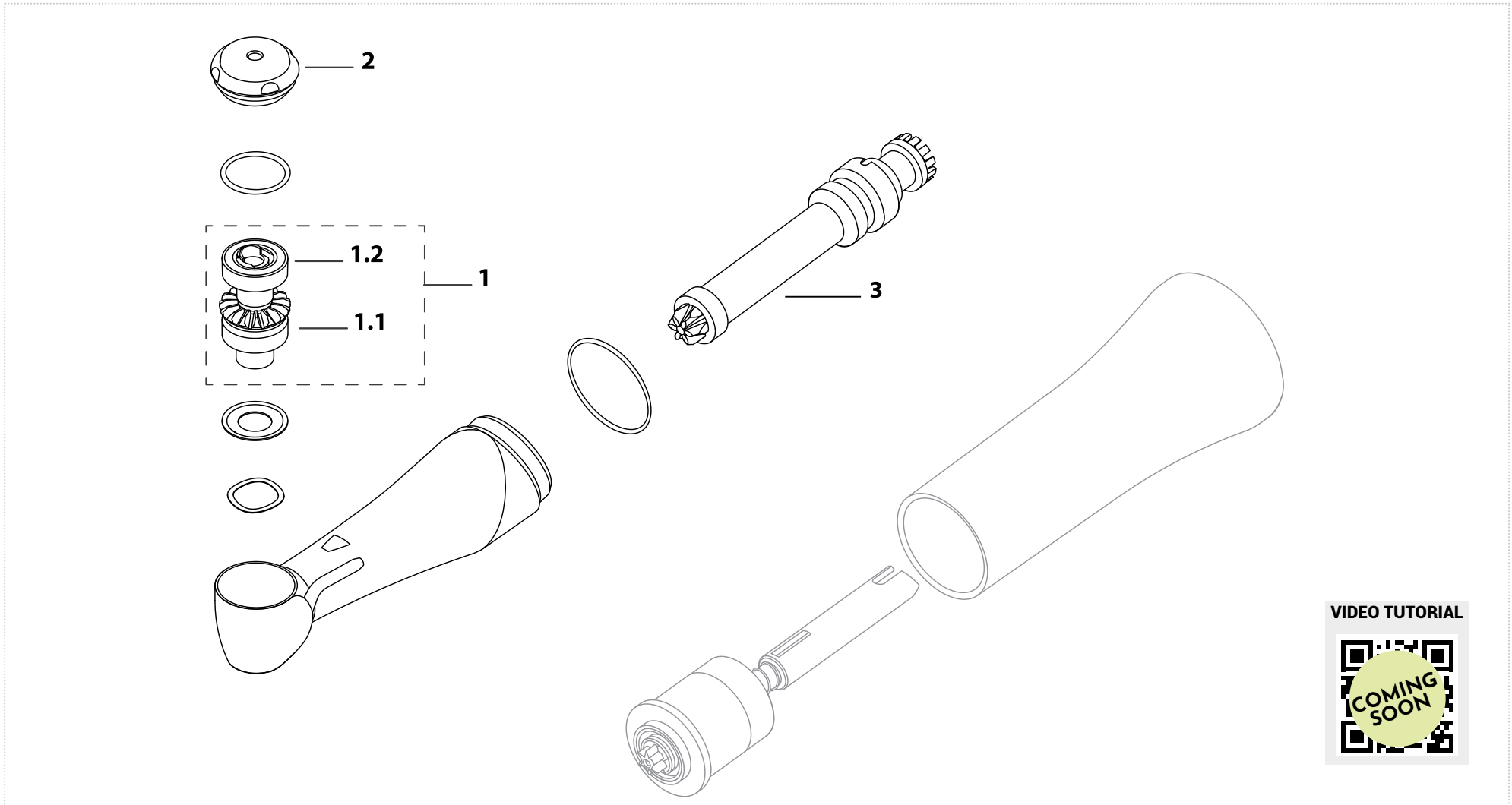
				
	1	1.1	1.2	2
	Complete rotor	Bearing type (burs side)	Bearing type (push side)	Push button
Order code	SR202L	SB224F	SB224F	604TM9337

1.1 - 1.2							
	Bearing	Size d.i/d.e/h(mm)	Cage	Balls	Contact	Brand	Type
Order code	SB224F	3,175 X 6 X 2	Torlon	Ceramics	Radial	TMI	Smooth

RELATED PRODUCTS			
			
Push button key	Fits for spindle	Fits for angle	Lubrication
Order code	KIV4020	CL5.001V	LIV1013 Ivory® Silk Oil OL101S

SIRONA® IMPLANT 20:1 Contra-angle green ring

CONTRA-ANGLES








VIDEO TUTORIAL






SIRONA® IMPLANT 20:1

Contra-angle green ring

CONTRA-ANGLES

				
1	1.1	1.2	2	3
Complete rotor	Bearing type (burs side)	Bearing type (push side)	Push button	Driving shaft
Order code 0493TM9900	CU68PK	CU68PK	049TM40500	0466TM7600

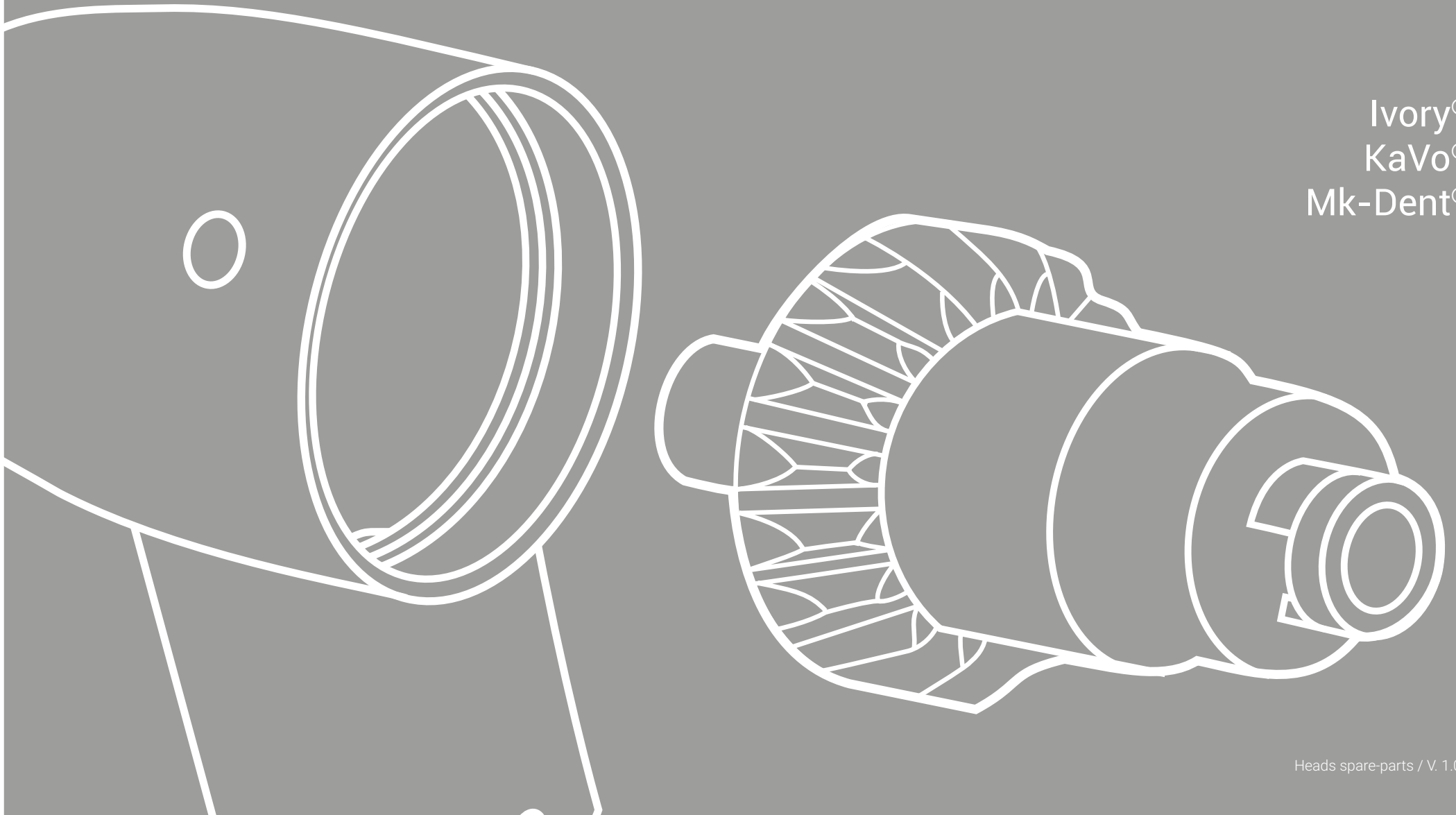
1.1 - 1.2						
Bearing	Size d.i./d.e/h(mm)	Cage	Balls	Contact	Brand	Type
Order code CU68PK	4 X 7 X 2	Steel	Steel	Radial	Myonic	Smooth

RELATED PRODUCTS				
				
Push button key	Drive shaft key	Fits for spindles	Fits for angle	Lubrication
Order code KIV0025B	IK111	CL5.001V	LIV1013	Ivory® Silk Oil OL101S

RICAMBI PER TESTINE

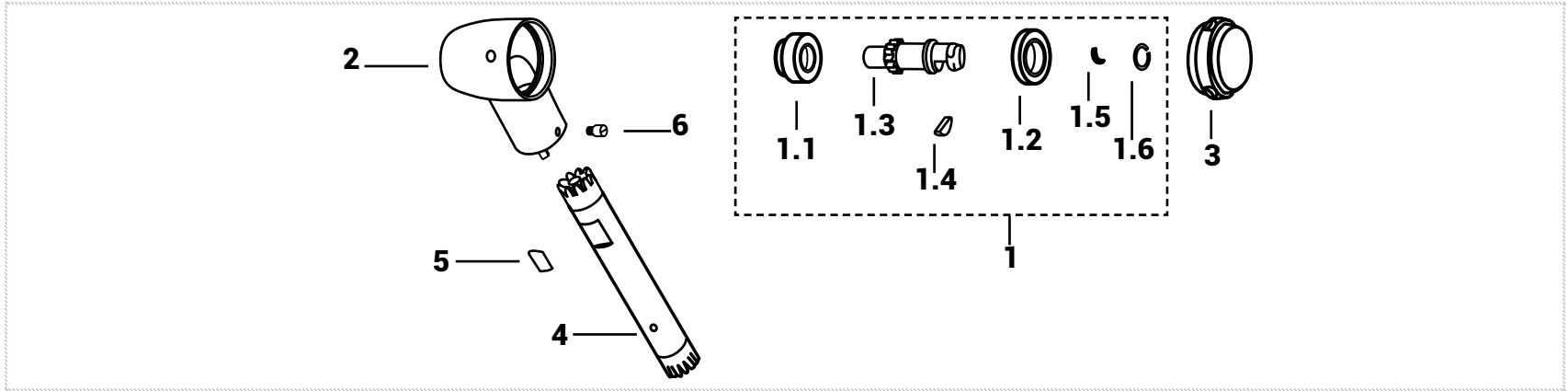
HEADS SPARE-PARTS

Ivory®
KaVo®
Mk-Dent®



Kavo® 68LH - Ivory® SL611C - Mk-Dent LS9011-LCH11 Head Blue Ring 1:1

HEAD



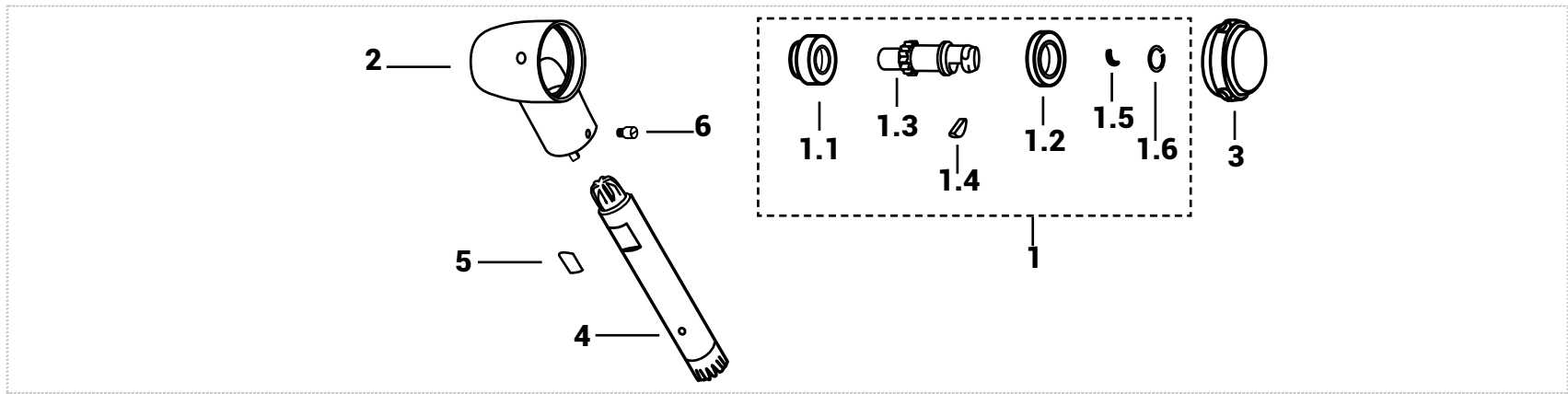
	1	1.1	1.2	1.3	1.4	1.5	1.6	2	3	4	5	6
	Complete rotor	Bearing type (burs side)	Bearing type (push side)	Rotore senza cuscinetti	Segment	Slide	Wire Ring	Head	Back cap	Driving shaft	Spring	Screw
Order code	K5403661	CU68LH	CU68PK CU68PKG	K54N3661	S68SG	K68SFK	M68M	K543631	SL6.001K	KTR68	L68L	VT55K

1.1 - 1.2							
Order code	Bearing	Size d.i./d.e/h(mm)	Gabbia	Bals	Contatto	Brand	Type
	CU68LH	3X7X2.5/3.35	Steel	Steel	Radial	Myonic	Smooth
	CU68PK	4X7X2	Steel	Steel	Radial	Myonic	Smooth
	CU68PKG	4X7X2	Steel	Steel	Radial	GRW	Smooth

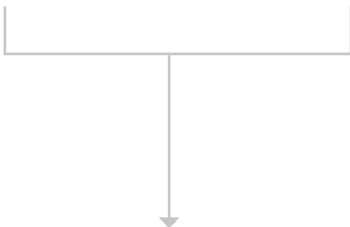
RELATED PRODUCTS				
Key for screw	Back cap and screw key	Fits for spindles	Fits for head	Lubrication
Order code	1 mm slotted screwdriver	KIV460	CL5.001V LIV1013	Ivory® Silk Oil OL101S

Kavo® 67LH - Ivory® SL621C - Mk-Dent LS9021-LCH21 Head Green ring 2:1

HEAD



	1	1.1	1.2	1.3	1.4	1.5	1.6	2	3	4	5	6
	Complete rotor	Bearing type (burs side)	Bearing type (push side)	Rotore senza cuscinetti	Segment	Slide	Wire Ring	Head	Back cap	Driving shaft	Spring	Screw
Order code	K5403231	CU68LH	CU68PK CU68PKG	K54N3231	S68SG	K68SFK	M68M	SIV046.62	SL6.001K	KTR67	L68L	VT55K



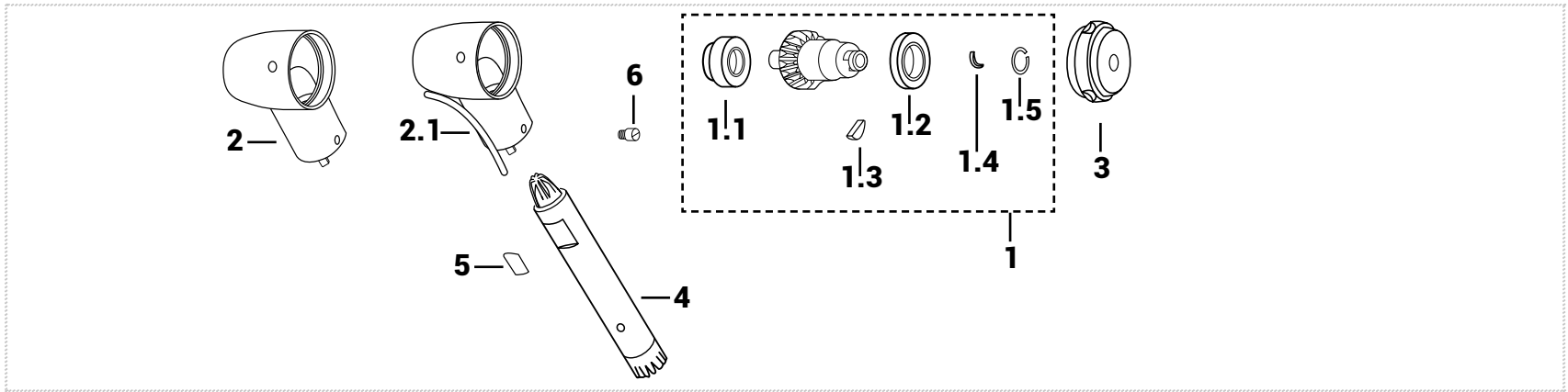
1.1 - 1.2							
Order code	Bearing	Size d.i/d.e/h(mm)	Gabbia	Bals	Contatto	Brand	Type
	CU68LH	3X7X2.5/3.35	Steel	Steel	Radial	Myonic	Smooth
	CU68PK	4X7X2	Steel	Steel	Radial	Myonic	Smooth
	CU68PKG	4X7X2	Steel	Steel	Radial	GRW	Smooth

RELATED PRODUCTS

Key for screw	Back cap and screw key	Fits for spindles	Fits for head	Lubrication	
Order code	1 mm slotted screwdriver	KIV460	CL5.001V	LIV1013	Ivory® Silk Oil OL101S

Kavo® C3 - CL3 - Ivory® SL631C Head Green Ring 3:1

HEAD



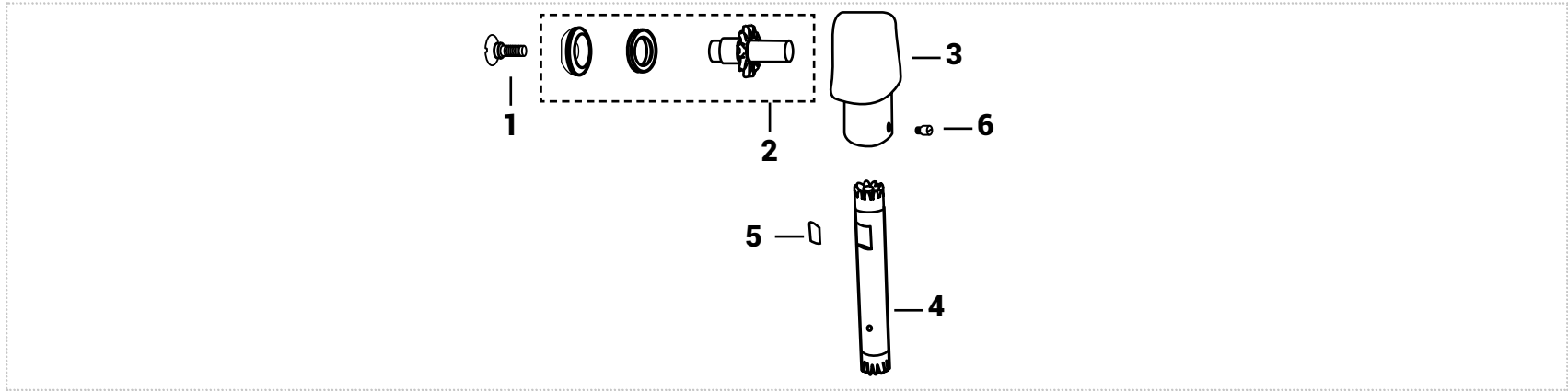
	1	1.1	1.2	1.3	1.4	1.5	2	2.1	3	4	5	6
	Complete rotor	Bearing type (burs side)	Bearing type (push side)	Segment	Slide	Wire Ring	Head CL3 - SL631C	Head C3	Back cap complete	Driving shaft	Spring	Screw
Order code	K10N4490	CU68LH	CM512	S68SG	K68SFK	M68M	100TM9257	AVAILABLE ON REQUEST	K540486	KTR33	L68L	VT55K
		CU68LH	CM512G									

1.1 - 1.2							
Order code	Bearing	Size d.i./d.e/h(mm)	Gabbia	Bals	Contatto	Brand	Type
	CU68LH	3X7X2.5/3.35	Steel	Steel	Radial	Myonic	Smooth
	CM512	5X8X2	Steel	Steel	Radial	Myonic	Smooth
	CM512G	5X8X2	Steel	Steel	Radial	GRW	Smooth

Order code	KIV460	CL5.001V	LIV1013	Ivory® Silk Oil OL101S

Ivory® SL621P Head Blue Ring 1:1

HEAD

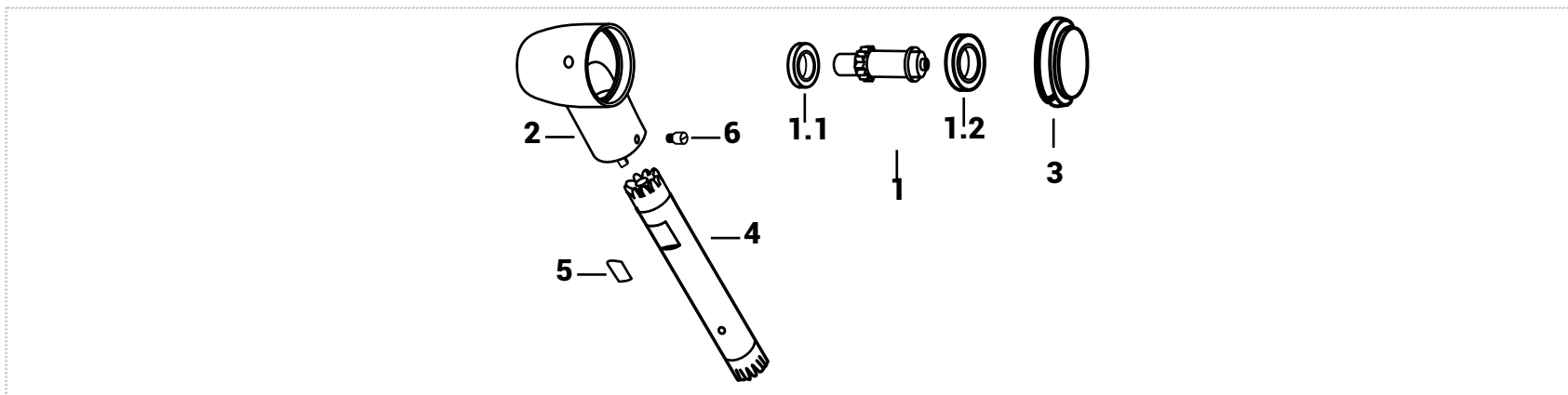


	1	2	3	4	5	6
	Threaded screw	Complete rotor	Head	Driving shaft	Spring	Screw
Order code	SIV050.3	SIV050.2	SIV050.0	SIV050.1	L68L	VT55K

RELATED PRODUCTS			
Key for screw	Fits for spindles	Fits for head	Lubrication
Order code	1 mm slotted screwdriver	CL5.001V	LIV1013
			Ivory® Silk Oil OL101S

Ivory® SL680C Head Blue Ring 1:1

HEAD



	1	1.1	1.2	2	3	4	5	6
	Complete rotor	Bearing type (burs side)	Bearing type (push side)	Head	Back cap	Driving shaft	Spring	Screw
Order code	SIV048.0	CM311 CM311G	CU68PK CU68PKG	SIV048.1	PIV048.0	SIV048.2	L68L	VT55K

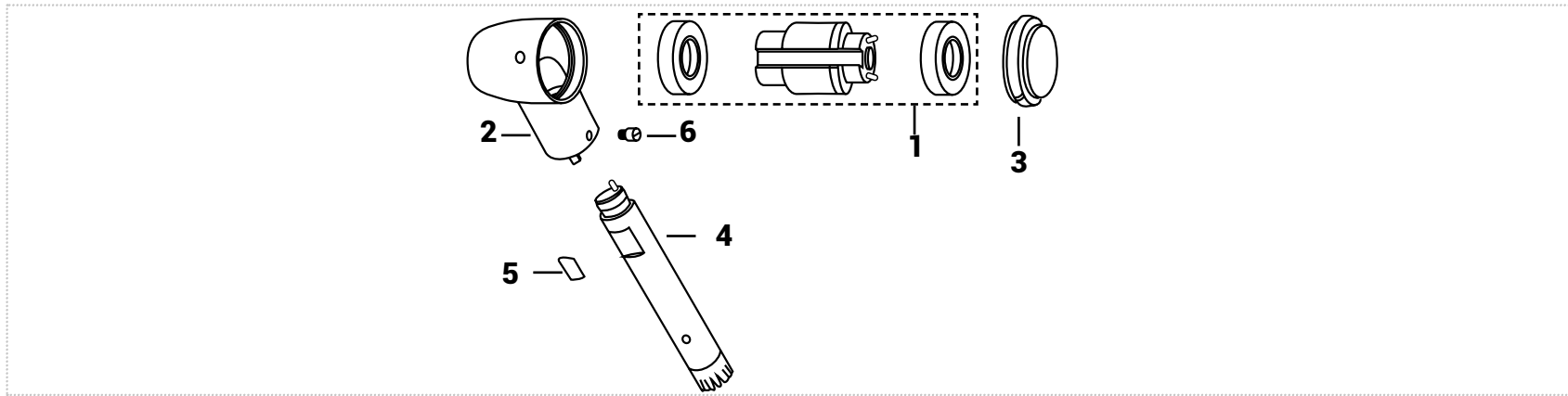
1.1 - 1.2						
Bearing	Size d.i./d.e/h(mm)	Gabbia	Bals	Contatto	Brand	Type
CM311	3X6X2	Steel	Steel	Radial	Tecnomed Italia®	Smooth
CU68PK	4X7X2	Steel	Steel	Radial	Myonic	Smooth
CM311G	3X6X2	Steel	Steel	Radial	GRW	Smooth
CU68PKG	4X7X2	Steel	Steel	Radial	GRW	Smooth

RELATED PRODUCTS

Key for screw	Back cap key	Fits for spindles	Fits for head	Lubrication	
Order code	1 mm philips-head screwdriver	IK468	CL5.001V	LIV1013	Ivory® Silk Oil OL101S

Ivory® SL653C Head Up/Down 0,4 mm

HEAD

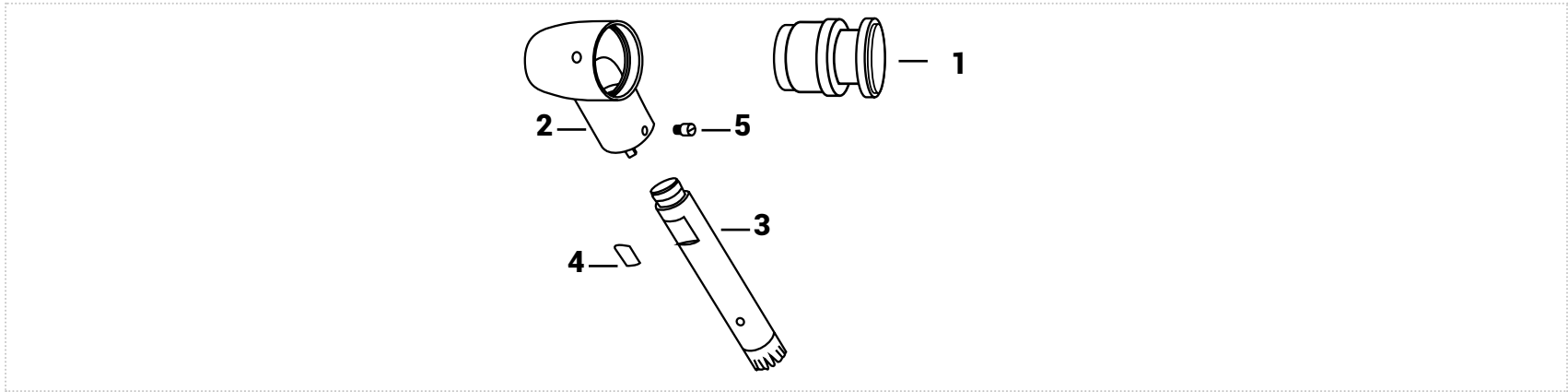





						
	1	2	3	4	5	6
	Complete rotor	Head	Push	Driving shaft	Spring	Screw
Order code	SIV052.0	SIV052.1	PIV052.0	SIV052.2	L68L	VT55K

RELATED PRODUCTS				
				
Key for screw	Back cap key	Fits for spindles	Fits for head	Lubrication
Order code	1 mm slotted screwdriver	IK467	CL5.001V	LIV1013
				Ivory® Silk Oil OL101S

Ivory® SL633Y Head Twist 60°

HEAD



					
	1	2	3	4	5
	Complete rotor	Head	Driving shaft	Spring	Screw
Order code	SIV051.0	SIV051.1	SIV051.2	L68L	VT55K

RELATED PRODUCTS				
				
Key for screw	Fits for spindles	Fits for head	Lubrication	
Order code	1 mm philips-head screw-driver	CL5.001V	LIV1013	Ivory® Silk Oil OL101S