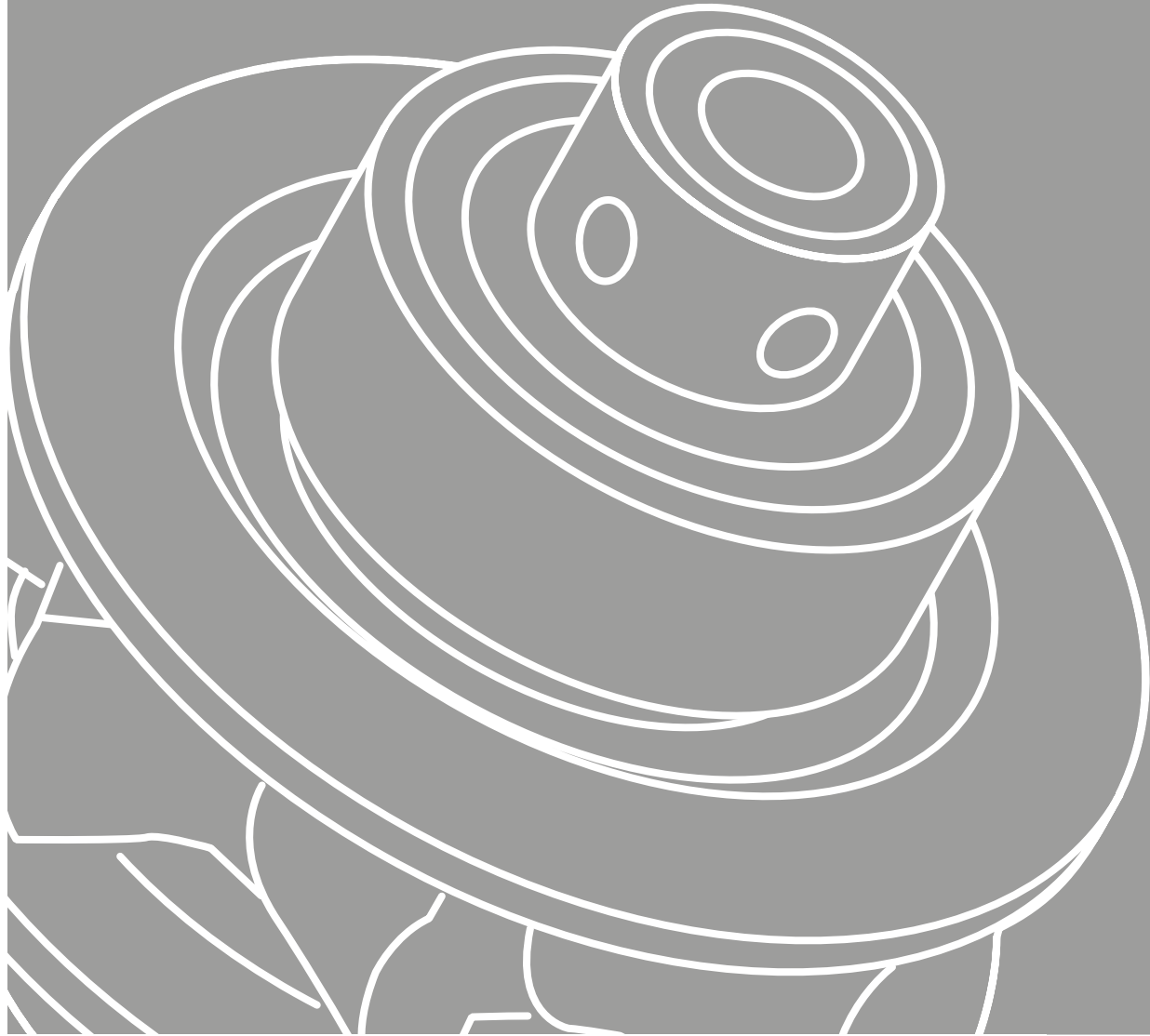


RICAMBI PER TURBINE

HIGH SPEED HANDPIECE SPARE PARTS



 B.A. International[®]

 Bien Air[®]

 Castellini[®]

 Faro[®]

 Ivory[®]

 Kavo[®]

 Midwest[®]

 Mk-Dent[®]

 NSK[®]

 Sirona[®]

 TKD[®]

 W&H[®]

FOCUS ROTORI

ROTORS FOCUS

Il rotore è il cuore di ogni turbina dentale: utilizzare rotori di qualità assicura efficienza e silenziosità. Tecnomed Italia propone una vasta gamma di rotori, con o senza cuscinetti, perfettamente bilanciati e costruiti con materiali di alta qualità. Sono disponibili rotori compatibili con la maggior parte delle turbine in commercio: Bien-Air®, Kavo®, Sirona®, W&H®, Ivory® e molti altri. Sono prodotti secondo gli standard EN ISO 13485, in rispetto alle norme EN ISO 10993-1, EN ISO 17665-1, EN ISO 5349. Ogni rotore è inoltre contrassegnato da un numero di serie che ne garantisce la rintracciabilità.

The rotor is the heart of every dental turbine. Using quality rotors ensures efficient and silent operation. Tecnomed Italia offers a wide range of rotors, with or without bearings, perfectly balanced and built with high quality materials. Our rotors are compatible with most turbines on the market: Bien-Air®, Kavo®, Sirona®, W&H®, Ivory®, and many others. The rotors are manufactured in according of the EN ISO 13485, EN ISO 10993-1, EN ISO 17665-1, EN ISO 5349 normative. Every rotor is marked with a serial number to guarantee full traceability.

The products are complies
EN ISO 13485





PLUS PRINCIPALI MAIN PLUS

- ✓ Materiali di alta qualità
- ✓ Perfettamente bilanciati
- ✓ Contrassegnati con numero di serie
- ✓ Tenuta della fresa >40 Newton
- ✓ Vasta gamma
- ✓ Con o senza cuscinetti
- ✓ 12 mesi di garanzia
- ✓ EN ISO 13485, EN ISO 10993-1, EN ISO 17665-1, EN ISO 5349

- ✓ Top quality materials
- ✓ Perfectly balanced
- ✓ Marked with serial number
- ✓ Bur gripping force >40 Newton
- ✓ Wide range
- ✓ With or without bearings
- ✓ 12-month warranty
- ✓ EN ISO 13485, EN ISO 10993-1, EN ISO 17665-1, EN ISO 5349

FOCUS CUSCINETTI ALTA VELOCITÀ

HIGH SPEED BEARINGS FOCUS

Un cuscinetto dentale deve essere in grado di sopportare le condizioni più estreme ed è, allo stesso tempo, una delle componenti più importanti per il funzionamento della strumentazione. Tecnomed sceglie solo i migliori cuscinetti presenti nel mercato dell'industria dentale, con sfere sia in ceramica che in acciaio. Precisi e affidabili, grazie ai materiali di altissima qualità garantiscono una lunga durata operativa. La minima emissione di rumore è assicurata anche ad alte velocità. I cuscinetti di alta gamma vengono venduti all'interno di una confezione sigillata e contrassegnata con il paese di origine.

A dental bearing must be able to withstand the most extreme conditions and is, at the same time, one of the most important components for the performance of a dental instrument. Tecnomed chooses only the best bearings in the dental industry market, with both ceramic and steel balls. These are precise and reliable, thanks to the use of the highest quality materials that guarantee a long product life. Minimum noise emission is ensured even at high speeds. High-end bearings are sold in a sealed package and marked with their country of origin.





Per decenni, Myonic ha fornito ai clienti di tutto il mondo i suoi cuscinetti dentali **innovativi e affidabili** guadagnandosi una posizione di mercato eccezionale. Le velocità di rotazione fino a **500.000 rpm**, le vibrazioni, il vapore surriscaldato o diversi mezzi di pulizia, nonché la penetrazione di sporco come sangue e polvere dei denti, sono le maggiori sfide per tali cuscinetti speciali.

Oltre al **design individuale**, queste sfide sono soddisfatte con una **selezione sistematica di materiali e lubrificanti**. Il risultato è un prodotto su misura per questa applicazione e che soddisfa tutti i requisiti per un lungo periodo.

For decades, Myonic has been supplying customers around the world with its innovative and reliable dental bearings, gaining an exceptional position in the market. Rotational speeds of up to 500,000 rpms, vibrations, overheated steam or various cleaning tools, as well as the penetration of dirt, such as blood and tooth powder residue, are the biggest challenges for these special bearings.

In addition to a unique design, these challenges are met with a systematic selection of materials and lubricants. The result is a product tailored to this application that meets all the desired requirements over time.



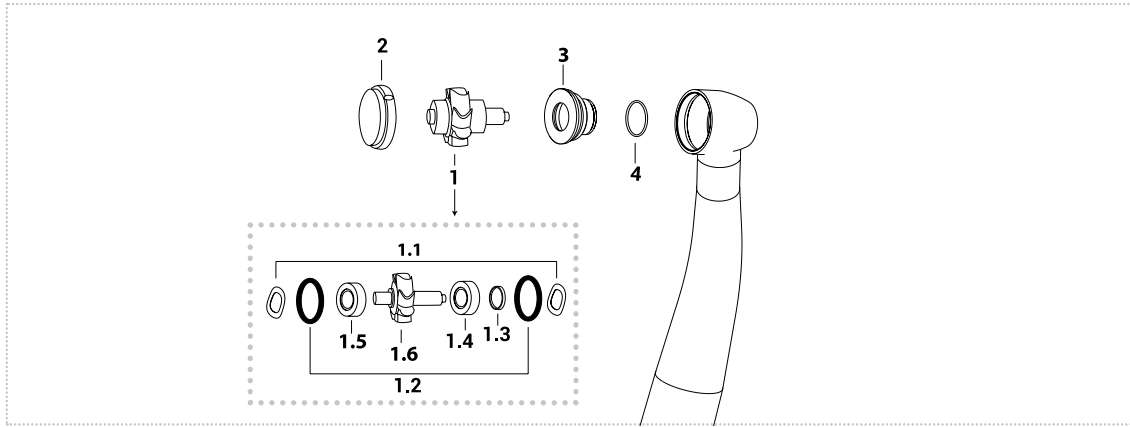
Ricerca prodotti di alta qualità sul mercato a prezzi competitivi è il nostro lavoro. Tecnomed da oltre 10 anni propone anche cuscinetti con proprio brand grazie alla partnership con una storica azienda nordamericana. I nostri cuscinetti dentali vantano **alta qualità e precisione**. Sono ideali per l'uso in manipoli dentali, dispositivi medici e strumenti chirurgici. Con **finitura sfere di grado 3** ed una **precisione superiore a ABEC 7** dimostrano un'alta affidabilità.

Sono venduti con packaging industriale.

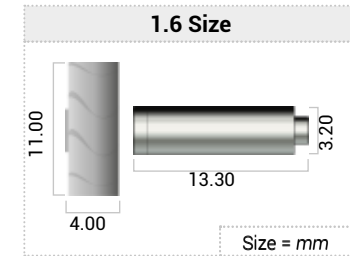
Searching for high-quality products on the market at competitive prices is our job. For over 10 years, Tecnomed has also been offering bearings under its own brand, thanks to a partnership with an important North American company. Our dental bearings boast of a high quality and precision. They are ideal for use in dental handpieces, medical devices, and surgical instruments. With a grade 3 ball and an accuracy that is higher than an ABEC 7 bearing, they are very reliable.

The bearings are sold with an industrial packaging.





VIDEO TUTORIAL



	1	1.1	1.2	1.3	1.4	1.5	1.6	2	3	4
	Complete rotor	Spring washer	O-ring kit 10 pcs	Slinger rotor	Bearing type (burs side)	Bearing type (push side)	Rotor without bearings	Push button	Cover spray	O-ring spray
Order code	R056T R056TK	SA300F	OR1K	NOT AVAILABLE	CN01B CB11BC	CN01B CB11BC	SC04B	PIV1054S	NOT AVAILABLE	NOT AVAILABLE

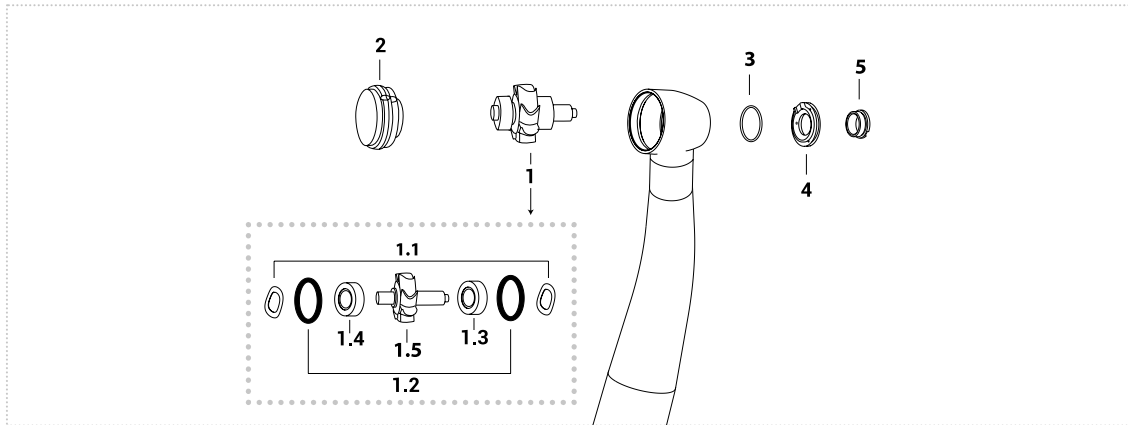
1.4 - 1.5								
	Bearing	Size d.i/d.e/h(mm)	Cage	Balls	Contact	Abec	Brand	Type
Order code	CN01B	3,175X6,350X2,779	Torlon	Steel	Radial	7	Tecnomed Italia	Smooth
	CB11BC	3,175X6,350X2,779	Fenolic	Ceramic	Radial	7	Myonic	Smooth

RELATED PRODUCTS

	Push button Key	Adapter for spindles	Lubrication
Order code	KE1033	CL5.001V	Ivory Silk Oil OL101S

B.A Interantional BA670LKS - Sirona® T1-T2 Control*

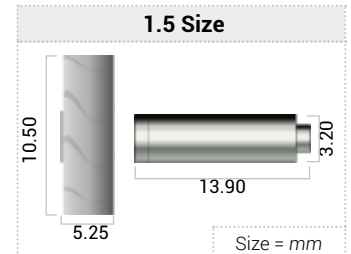
**HIGH SPEED
HANDPIECE**



*Push with 2 cuts



VIDEO TUTORIAL



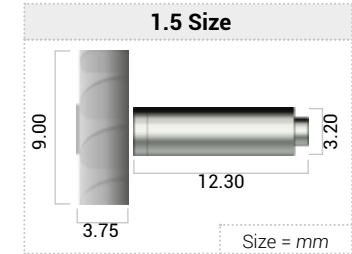
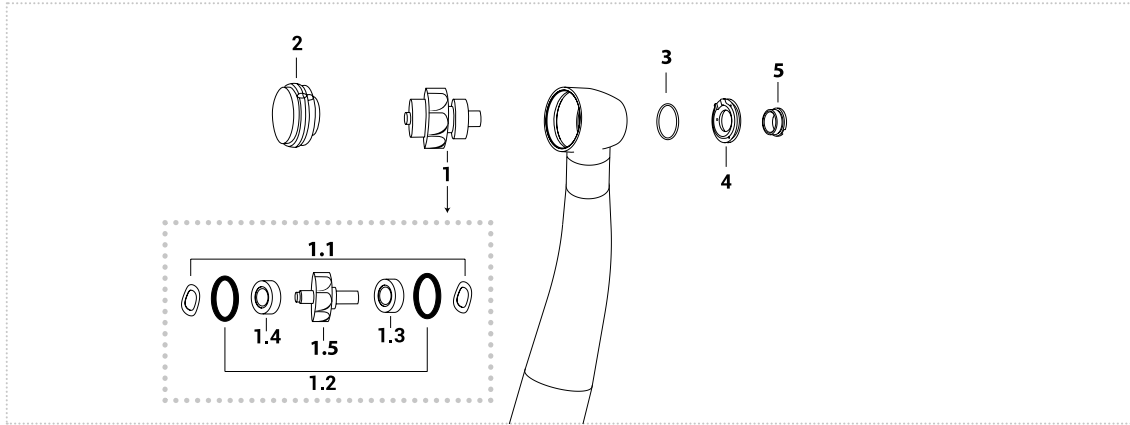
	1	1.1	1.2	1.3	1.4	1.5	2	3	4	5
	Complete rotor	Spring washer	O-ring kit 10 pcs	Bearing type (burs side)	Bearing type (push side)	Rotor without bearings	Push button	O-ring spray	Cover spray	Cover spray screw
Order code	R02T RT22CH RT22T R02TC	SA300F	OR66K	CN01B CN11BC CN11T CB11BC	CN01B CN11BC CN11T CB11BC	SC02S	PIV1037S	704TM3854	NOT AVAIL- LABLE	585TM5890

1.3 - 1.4								
	Bearing	Size d.i./d.e/h(mm)	Cage	Balls	Contact	Abec	Brand	Type
Order code	CN01B	3,175X6,350X2,779	Torlon	Steel	Radial	7	Tecnomed Italia	Smooth
	CN11BC	3,175X6,350X2,779	Torlon	Ceramic	Radial	7	Tecnomed Italia	Smooth
	CN11T	3,175X6,350X2,779	Fenolic	Steel	Radial	7	Myonic	Smooth
	CB11BC	3,175X6,350X2,779	Fenolic	Ceramic	Radial	7	Myonic	Smooth

RELATED PRODUCTS			
Push button Key for 3 slots	Adapter for spindles	Lubrication	
Order code	KIV2050S	CL5.001V	LIV1017 Ivory Silk Oil OL101S

B.A. International BA678LKS/BA758L - Sirona® T2 Mini

**HIGH SPEED
HANDPIECE**



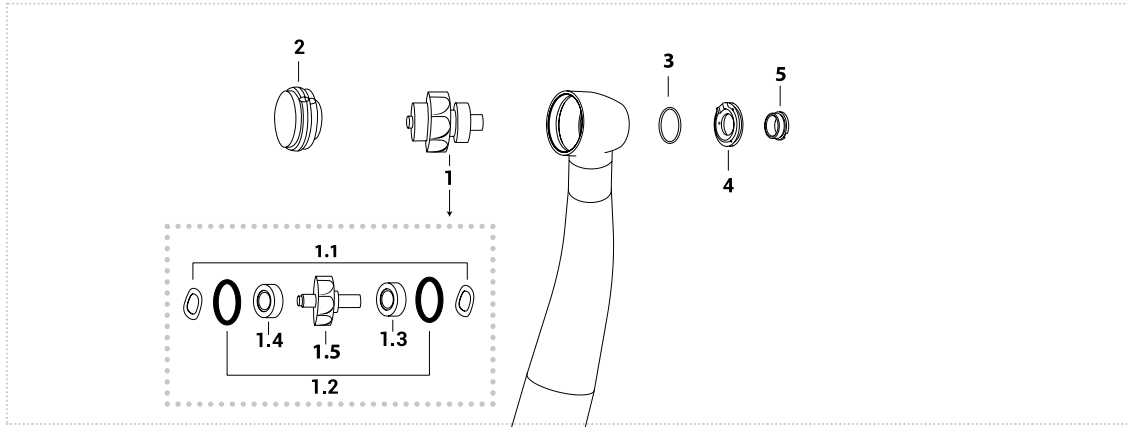
1	1.1	1.2	1.3	1.4	1.5	2	3	4	5	
Complete rotor	Spring washer	O-ring kit 10 pcs	Bearing type (burs side)	Bearing type (push side)	Rotor without bearings	Push button	O-ring spray	Cover spray	Cover spray screw	
Order code	R027M	SA300F	OR66K	CN11BC	CN11BC	SC027	PIV1050S	704TM3854	NOT AVAILABLE	585TM5890

1.3 - 1.4							
Bearing	Size d.i./d.e/h(mm)	Cage	Balls	Contact	Abec	Brand	Type
CN11BC	3,175X6,350X2,779	Torlon	Ceramic	Radial	7	Tecnomed Italia	Smooth

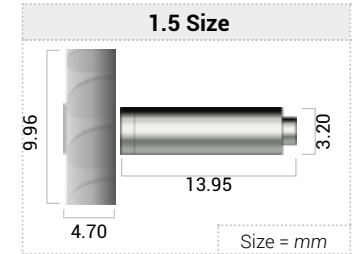
RELATED PRODUCTS			
Push button Key for 3 slots	Adapter for spindles	Lubrication	
Order code	KIV2050S	CL5.001V	LIV1017 Ivory Silk Oil OL101S

B.A. International BA695L/BA755L - Fona 8080L SR - Sirona® T2 Racer - Siroboost S/T

**HIGH SPEED
HANDPIECE**



VIDEO TUTORIAL

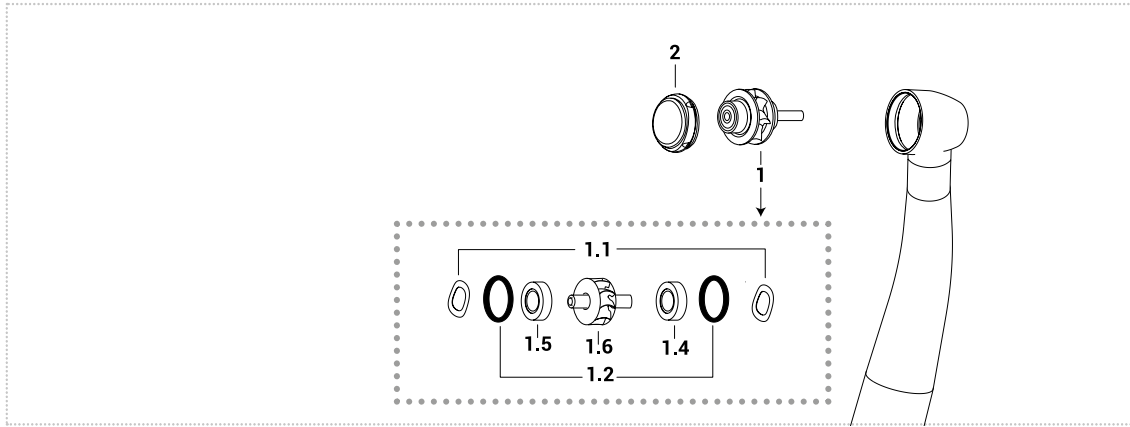


	1	1.1	1.2	1.3	1.4	1.5	2	3	4	5
	Complete rotor	Spring washer	O-ring kit 10 pcs	Bearing type (burs side)	Bearing type (push side)	Rotor without bearings	Push button	O-ring spray	Cover spray	Cover spray screw
Order code	R046R R046CH R046RB R046RC	SA300F	OR1K	CN01B CN11BC CN11T CB11BC	CN01B CN11BC CN11T CB11BC	SC46S	PIV1048S	704TM3854	NOT AVAILABLE	585TM5890

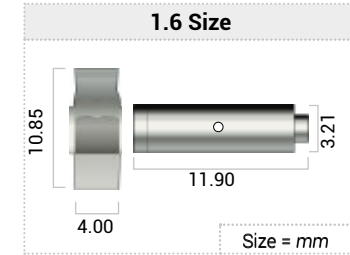
1.3 - 1.4								
	Bearing	Size d.i./d.e/h(mm)	Cage	Balls	Contact	Abec	Brand	Type
Order code	CN01B	3,175X6,350X2,779	Torlon	Steel	Radial	7	Tecnomed Italia	Smooth
	CN11BC	3,175X6,350X2,779	Torlon	Ceramic	Radial	7	Tecnomed Italia	Smooth
	CN11T	3,175X6,350X2,779	Fenolic	Steel	Radial	7	Myonic	Smooth
	CB11BC	3,175X6,350X2,779	Fenolic	Ceramic	Radial	7	Myonic	Smooth

RELATED PRODUCTS

	Push button Key for 3 slots	Adapter for spindles	Lubrication	
Order code	KIV2050S	CL5.001V	LIV1017	Ivory Silk Oil OL101S



VIDEO TUTORIAL



	1	1.1	1.2	1.3	1.4	1.5	1.6	2
	Complete rotor	Spring washer	O-ring kit 10 pcs	Slinger rotor	Bearing type (burs side)	Bearing type (push side)	Rotor without bearings	Push button
Order code	HBA837B	SA300F	OR1K	HKV136	CN01B	CN01B	SC837B	PIV837BL
	HBA837CC				CB11BC	CB11BC		

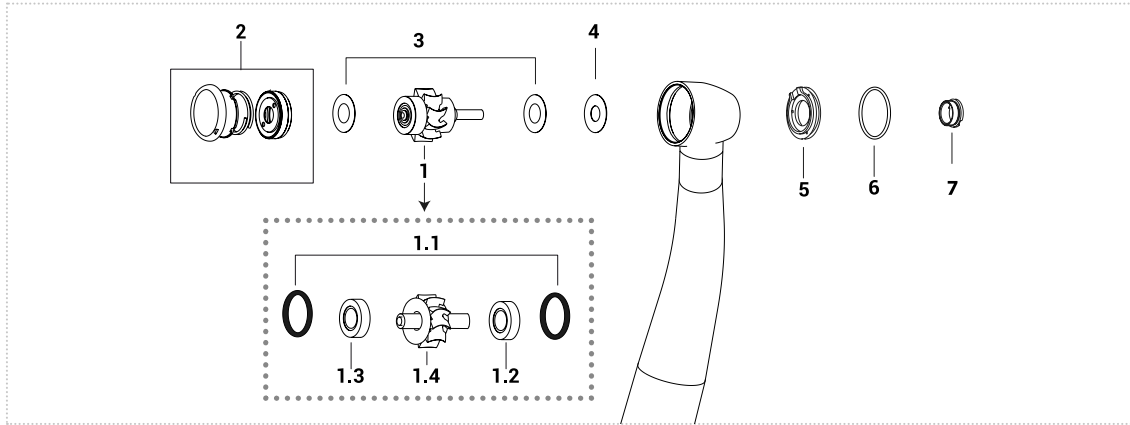
1.4 - 1.5								
	Bearing	Size d.i/d.e/h(mm)	Cage	Balls	Contact	Abec	Brand	Type
Order code	CN01B	3,175X6,350X2,779	Torlon	Steel	Radial	7	Tecnomed Italia	Smooth
	CB11BC	3,175X6,350X2,779	Fenolic	Ceramic	Radial	7	Myonic	Smooth

RELATED PRODUCTS

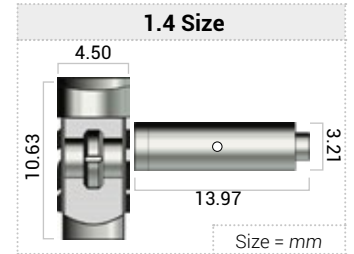
	Push button key for 4 slots	Adapter for spindles	Lubrication
Order code	KIV8000K	CL5.001V	Ivory Silk Oil OL101S

Bien Air® Bora/L/LED/S36/BLACK LINE

**HIGH SPEED
HANDPIECE**



VIDEO TUTORIAL



	1	1.1	1.2	1.3	1.4	2	3	4	5	6	7
	Complete rotor	O-ring kit 10 pcs	Bearing type (burs side)	Bearing type (push side)	Rotor without bearings	Push button complete	Teflon shim (big hole)	Teflon shim (small hole)	Spray distributor	O-ring spray	Fixing ring
Order code	HBA836 HBB836CH HBB836B HBB836C	OR2B	CU8B CT88C CUT8T CB89C	CU8B CT88C CUT8T CB89C	SC836B	PIV2013B	OR22B	009TM3452	OIV641K	705TM0250	OIV640K

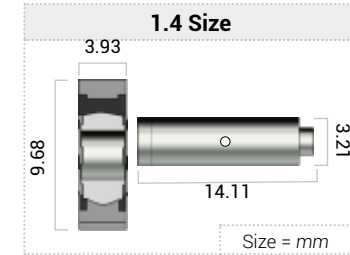
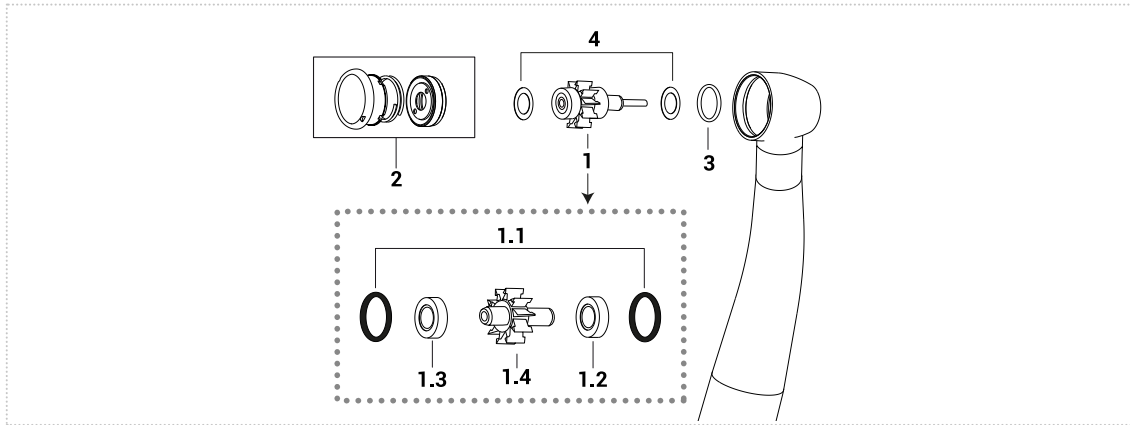
1.2 - 1.3								
Order code	Bearing	Size d.i/d.e/h(mm)	Cage	Balls	Contact	Abec	Brand	Type
	CU8B	3,175X7,938X3,571	Torlon	Steel	Radial	7	Tecnomed Italia	Smooth
	CT88C	3,175X7,938X3,571	Torlon	Ceramic	Radial	7	Tecnomed Italia	Smooth
	CUT8T	3,175X7,938X3,571	Fenolic	Steel	Radial	7	Myonic	Smooth
	CB89C	3,175X7,938X3,571	Fenolic	Ceramic	Radial	7	Myonic	Smooth

RELATED PRODUCTS

Push button & back cap Key	Head expander	Adapter for spindles	Lubrication	
Order code	KIV2020B	RT025M	CL5.001V	Ivory Silk Oil OL101S LIV1014

Bien Air® Black Pearl ECO 2-3/4 WAY - Cromax standard head 2-3/4 WAY - Boralina

**HIGH SPEED
HANDPIECE**



	1	1.1	1.2	1.3	1.4	2	3	4
	Complete rotor	O-ring kit 10 pcs	Bearing type (burs side)	Bearing type (push side)	Rotor without bearings	Push button complete	Teflon shim (big hole)	Teflon shim (small hole)
Order code	HBA839B HBT839T	OR2B	CU8B CUT8T	CU8B CUT8T	SC839B	PIV2011B	OR22B	OR21B

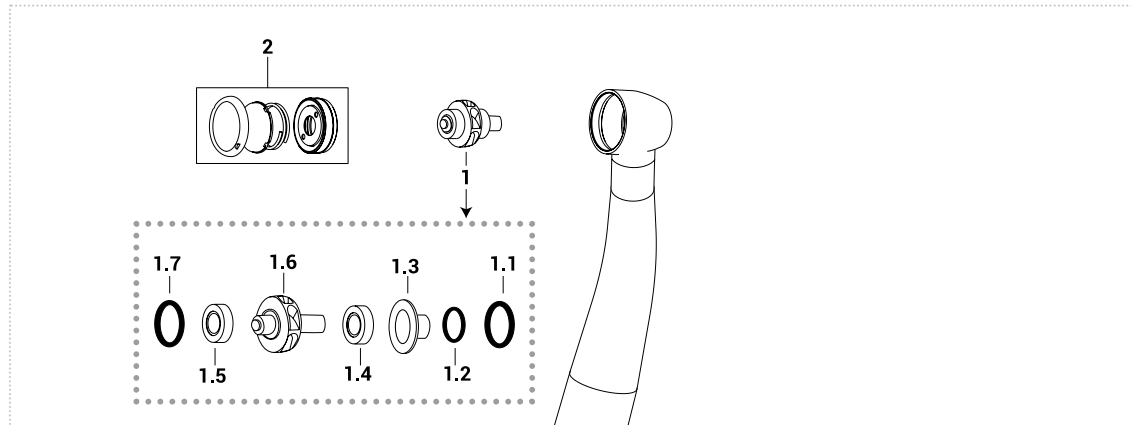
1.2 - 1.3								
Order code	Bearing	Size d.i./d.e/h(mm)	Cage	Balls	Contact	Abec	Brand	Type
	CU8B	3,175X7,938X3,571	Torlon	Steel	Radial	7	Tecnomed Italia	Smooth
	CUT8T	3,175X7,938X3,571	Fenolic	Steel	Radial	7	Myonic	Smooth

RELATED PRODUCTS

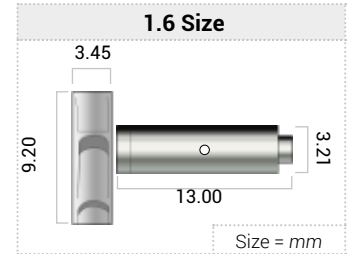
Push button & back cap Key	Adapter for spindles	Lubrication	
Order code	KIV2020B	CL5.001V	Ivory Silk Oil OL101S LIV1014

Bien Air® Ondine/S30 - Croma Small head

**HIGH SPEED
HANDPIECE**



VIDEO TUTORIAL

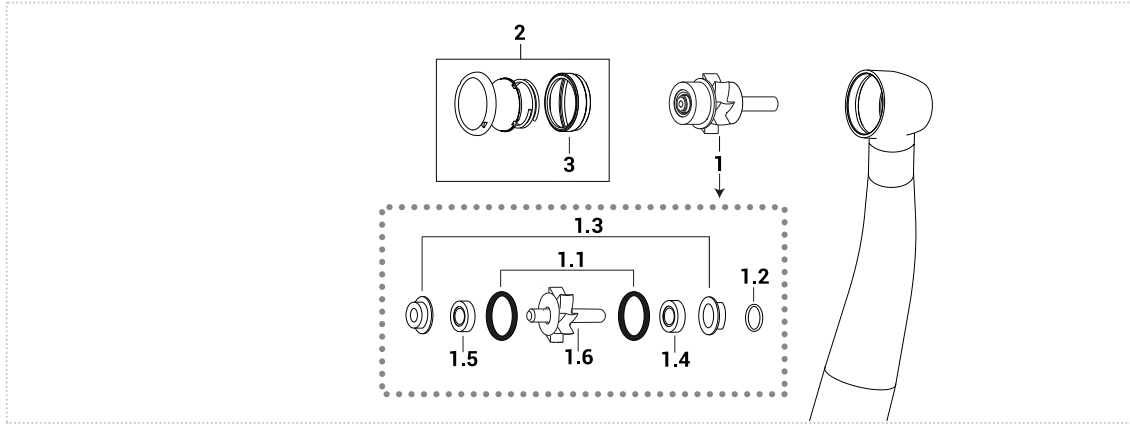


	1	1.1	1.2	1.3	1.4	1.5	1.6	1.7	2
	Complete rotor	O-ring kit 10 pcs	O-ring Bushing	Bushing burs side	Bearing type (burs side)	Bearing type (push side)	Rotor without bearings	Back O-ring	Push button complete
Order code	HBA835 HBT835C	OR3B	OR31B	CAP785	CN01B CB11BC	CN01B CB11BC	SC835B	OR1K	PIV2036B

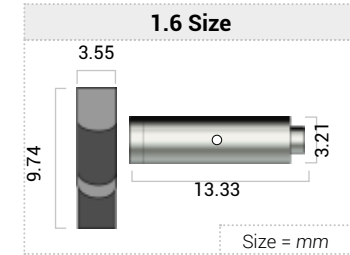
1.4 - 1.5								
	Bearing	Size d.i./d.e/h(mm)	Cage	Balls	Contact	Abec	Brand	Type
Order code	CN01B	3,175X6,350X2,779	Torlon	Steel	Radial	7	Tecnomed Italia	Smooth
	CB11BC	3,175X6,350X2,779	Fenolic	Ceramic	Radial	7	Myonic	Smooth

RELATED PRODUCTS

	Push button key	Adapter for spindles	Lubrication	
Order code	KIV835B	CL5.001V	Ivory Silk Oil OL101S	LIV1014



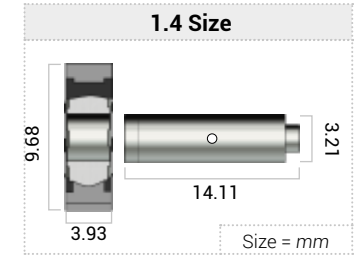
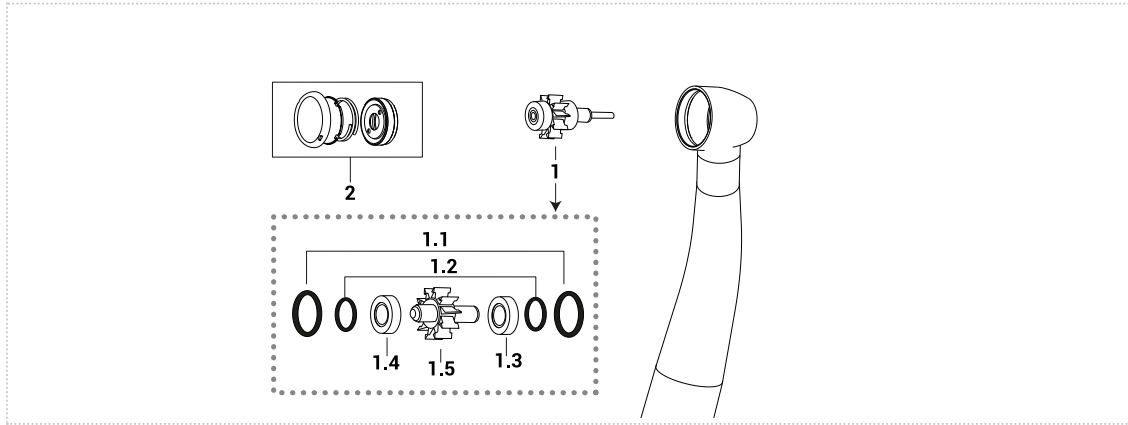
VIDEO TUTORIAL



	1	1.1	1.2	1.3	1.4	1.5	1.6	2	3
	Complete rotor	O-ring kit 10 pcs	O-ring Bushing	Kit Bushing	Bearing type (burs side)	Bearing type (push side)	Rotor without bearings	Push button complete	Back cap
Order code	HBA800B	OR31B	OR3B	CAP784	CN01B	CN01B	SC800B	PIV2024B	009T3145
	HBA800CC				CB11BC	CB11BC			

1.4 - 1.5								
	Bearing	Size d.i/d.e/h(mm)	Cage	Balls	Contact	Abec	Brand	Type
Order code	CN01B	3,175X6,350X2,779	Torlon	Steel	Radial	7	Tecnomed Italia	Smooth
	CB11BC	3,175X6,350X2,779	Fenolic	Ceramic	Radial	7	Myonic	Smooth

RELATED PRODUCTS				
Push button & back cap Key	Head expander	Adapter for spindles	Lubrication	
Order code	KIV835B	RT026	CL5.001V	Ivory Silk Oil OL101S LIV1014



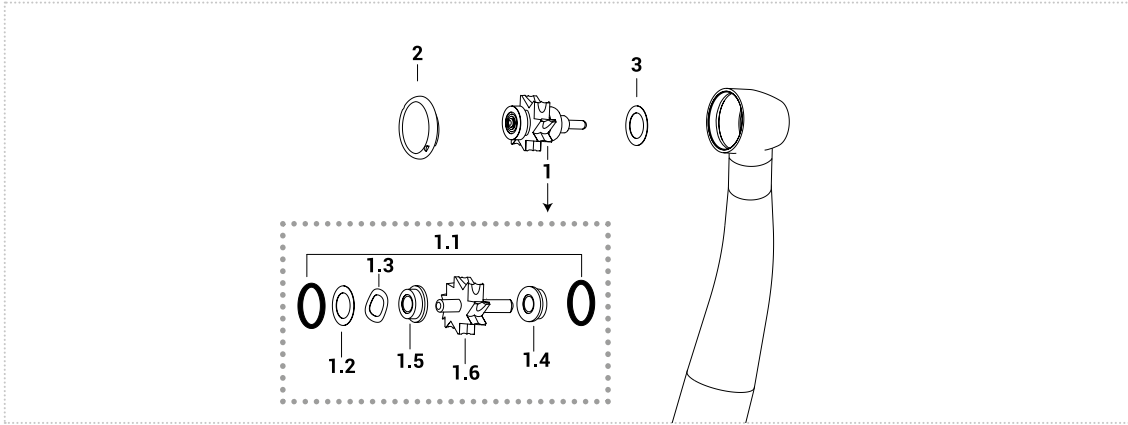
	1	1.1	1.2	1.3	1.4	1.5	2
	Complete rotor	O-ring kit 10 pcs	O-ring Bushing	Bearing type (burs side)	Bearing type (push side)	Rotor without bearings	Push button complete
Order code	HBA834	OR2B	OR21B	CU8B	CU8B	SC834B	PIV2011B
	HBB834CH			CT88C	CT88C		
	HBB834B			CUT8T	CUT8T		
	HBB834C			CB89C	CB89C		

1.3 - 1.4								
Order code	Bearing	Size d.i/d.e/h(mm)	Cage	Balls	Contact	Abec	Brand	Type
	CU8B	3,175X7,938X3,571	Torlon	Steel	Radial	7	Tecnomed Italia	Smooth
	CT88C	3,175X7,938X3,571	Torlon	Ceramic	Radial	7	Tecnomed Italia	Smooth
	CUT8T	3,175X7,938X3,571	Fenolic	Steel	Radial	7	Myonic	Smooth
	CB89C	3,175X7,938X3,571	Fenolic	Ceramic	Radial	7	Myonic	Smooth

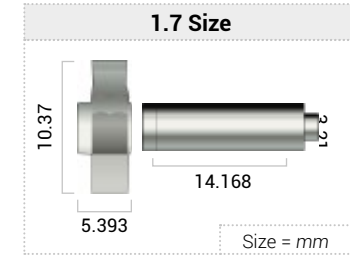
RELATED PRODUCTS			
Push button & back cap Key	Adapter for spindles	Lubrication	
Order code	KIV2020B	CL5.001V	Ivory Silk Oil OL101S LIV1014

Castellini® Hi-Power M - Clean Air 2000

**HIGH SPEED
HANDPIECE**



VIDEO TUTORIAL



	1	1.1	1.2	1.3	1.4	1.5	1.6	2	3
	Complete rotor	O-ring kit 10 pcs	Metal shim	Spring washer	Bearing type (burs side)	Bearing type (push side)	Rotor without bearings	Push button	Plastic shim
Order code	HCL841 HCC841C	OR1K	SA100F	SA300F	CU7C CB77C	CU7C CB77C	SC841C	PIV1038C	NOT AVAILABLE

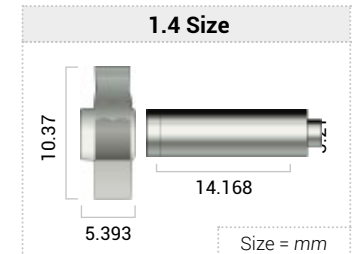
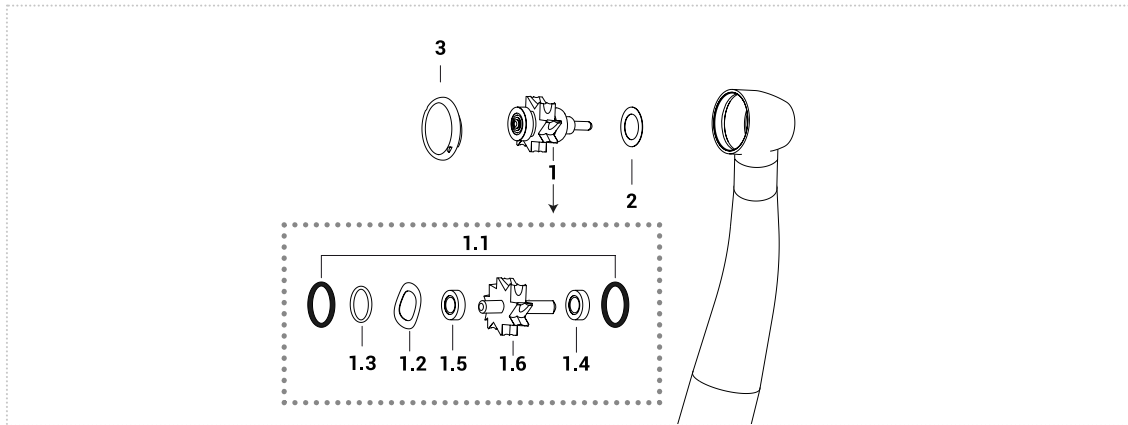
1.4 - 1.5								
	Bearing	Size d.i/d.e/h(mm)	Cage	Balls	Contact	Abec	Brand	Type
Order code	CU7C	3,175X6,350X2,779	Torlon	Steel	Radial	7	Tecnomed Italia	Smooth Flanged
	CB77C	3,175X6,350X2,779	Fenolic	Ceramic	Radial	7	Myonic	Smooth Flanged

RELATED PRODUCTS

Order code	KIV1011K	CL5.001V	Ivory Silk Oil OL101S

Castellini® TESTA STANDARD Hi-Power 2 ceramics - Titanium Gold/2L

**HIGH SPEED
HANDPIECE**



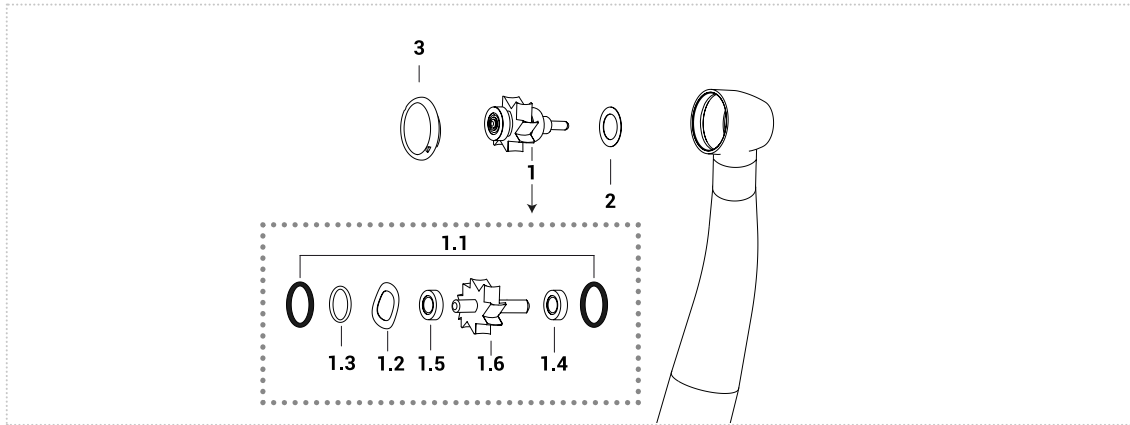
	1	1.1	1.2	1.3	1.4	1.5	1.6	2	3
	Complete rotor	O-ring kit 10 pcs	Spring washer	Metal shim	Bearing type (burs side)	Bearing type (push side)	Rotor without bearings	Plastic shim	Push button
Order code	HCL862	OR1K	SA300F	SA100F	CN01B	CN01B	SC841C	NOT AVAILABLE	PIV1039C
	HCC862CH				CN11BC	CN11BC			
	HCC862B				CN11T	CN11T			
	HCC862C				CB11BC	CB11BC			

1.4 - 1.5								
	Bearing	Size d.i./d.e/h(mm)	Cage	Balls	Contact	Abec	Brand	Type
Order code	CN01B	3,175X6,350X2,779	Torlon	Steel	Radial	7	Tecnomed Italia	Smooth
	CN11BC	3,175X6,350X2,779	Torlon	Ceramic	Radial	7	Tecnomed Italia	Smooth
	CN11T	3,175X6,350X2,779	Fenolic	Steel	Radial	7	Myonic	Smooth
	CB11BC	3,175X6,350X2,779	Fenolic	Ceramic	Radial	7	Myonic	Smooth

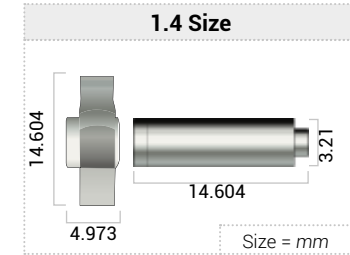
RELATED PRODUCTS		
Push button & back cap Key	Adapter for spindles	Lubrication
Order code	KIV1077T	CL5.001V
		Ivory Silk Oil OL101S

Castellini® Silent Power 2/L - 4/L - GOLD

**HIGH SPEED
HANDPIECE**



VIDEO TUTORIAL



	1	1.1	1.2	1.3	1.4	1.5	1.6	2	3
	Complete rotor	O-ring kit 10 pcs	Spring washer	Metal shim	Bearing type (burs side)	Bearing type (push side)	Rotor without bearings	Plastic shim	Push button
Order code	HCL873 HCC873B	OR1K	SA300F	SA100F	CN01B CB11BC	CN01B CB11BC	SC873C	NOT AVAILABLE	PIV1040C

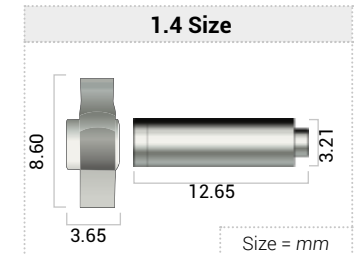
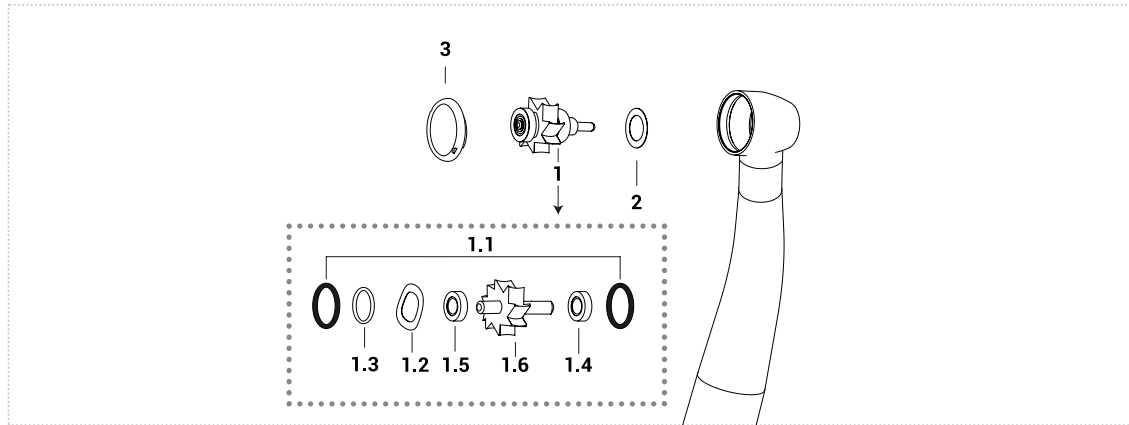
1.4 - 1.5								
	Bearing	Size d.i/d.e/h(mm)	Cage	Balls	Contact	Abec	Brand	Type
Order code	CN01B	3,175X6,350X2,779	Torlon	Steel	Radial	7	Tecnomed Italia	Smooth
	CB11BC	3,175X6,350X2,779	Fenolic	Ceramic	Radial	7	Myonic	Smooth

RELATED PRODUCTS

Order code	KIV1077T	CL5.001V	Ivory Silk Oil OL101S

Castellini® Silent Power Miniature

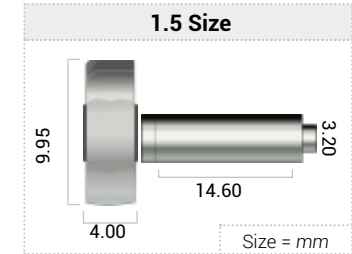
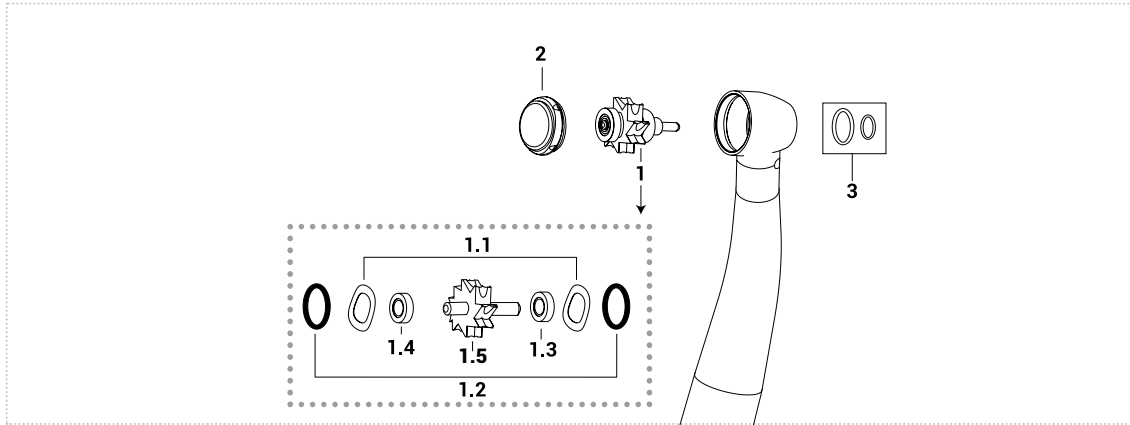
**HIGH SPEED
HANDPIECE**



	1	1.1	1.2	1.3	1.4	1.5	1.6	2	3
	Complete rotor	O-ring kit 10 pcs	Spring washer	Metal shim	Bearing type (burs side)	Bearing type (push side)	Rotor without bearings	Plastic shim	Push button
Order code	HCL874C	OR1K	SA300F	SA100F	CN01B	CN01B	SC874C	NOT AVAILABLE	PIV845C
	HCC874CH				CB11BC	CB11BC			

1.4 - 1.5								
Order code	Bearing	Size d.i./d.e/h(mm)	Cage	Balls	Contact	Abec	Brand	Type
	CN01B	3,175X6,350X2,779	Torlon	Steel	Radial	7	Tecnomed Italia	Smooth
	CB11BC	3,175X6,350X2,779	Fenolic	Ceramic	Radial	7	Myonic	Smooth

RELATED PRODUCTS		
Push button key for 3 hole	Adapter for spindles	Lubrication
Order code	KIV18LEW	CL5.001V
		Ivory Silk Oil OL101S



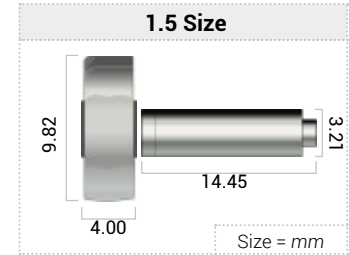
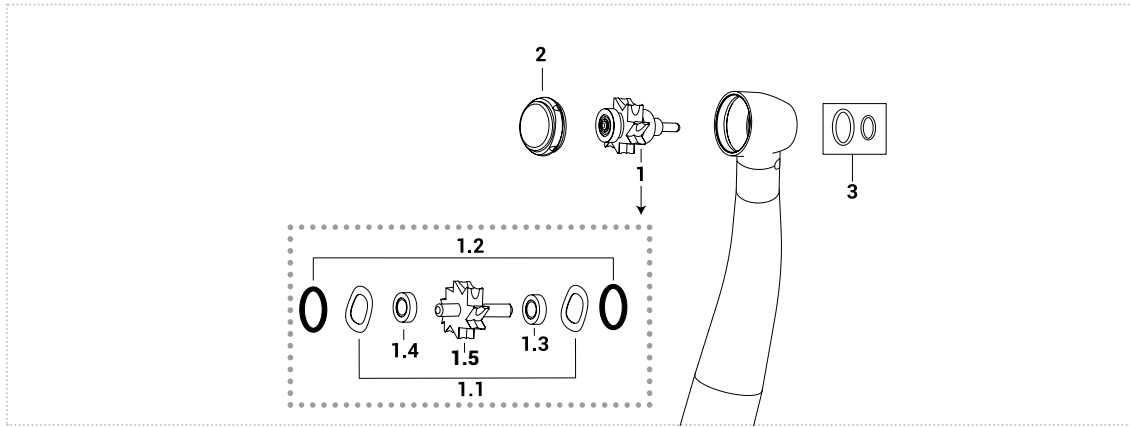
	1	1.1	1.2	1.3	1.4	1.5	2	3
	Complete rotor	Spring washer	O-ring kit 10 pcs	Bearing type (burs side)	Bearing type (push side)	Rotor without bearings	Push button	O-ring spray
Order code	041TMS087	SA300FO	OIV1011	CN01B	CN01B	041TM087	PIV40TRF	NOT AVAILABLE
	041TMC087			CB11BC	CB11BC			

1.3 - 1.4								
	Bearing	Size d.i/d. e/h(mm)	Cage	Balls	Contact	Abec	Brand	Type
Order code	CN01B	3,175X6,350X2,779	Torlon	Steel	Radial	7	Tecnomed Italia	Smooth
	CB11BC	3,175X6,350X2,779	Fenolic	Ceramic	Radial	7	Myonic	Smooth

RELATED PRODUCTS			
Push button key for 4 slots	Spraycover Key	Adapter for spindles	Lubrication
Order code	KIV8000K	Philips-head screwdriver	CL5.001V
			Ivory Silk Oil OL101S

Faro® Trilogy Plus

**HIGH SPEED
HANDPIECE**



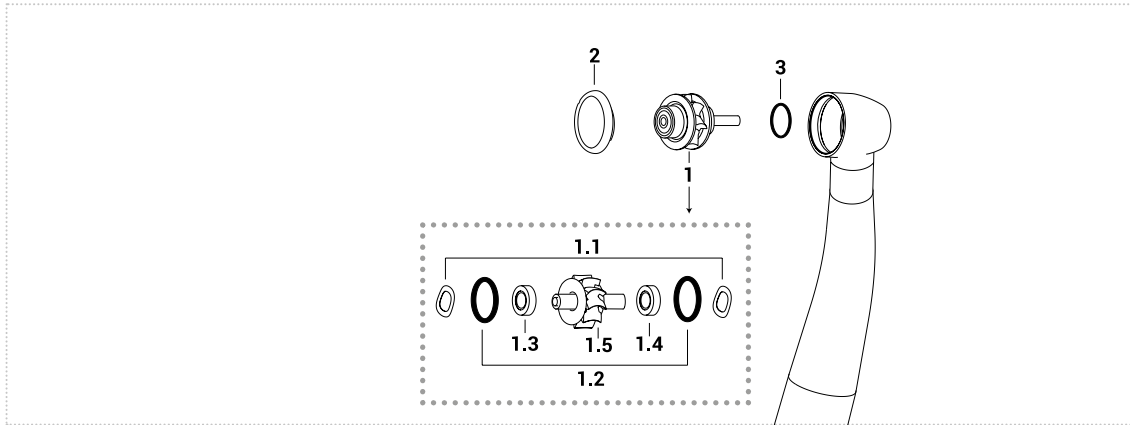
	1	1.1	1.2	1.3	1.4	1.5	2	3
	Complete rotor	Spring washer	O-ring kit 10 pcs	Bearing type (burs side)	Bearing type (push side)	Rotor without bearings	Push button	O-ring spray
Order code	041TMS088	SA300FO	OIV1011	CN01B	CN01B	041TM088	041065	NOT AVAILABLE
	041TMC088			CB11BC	CB11BC			

1.3 - 1.4								
Order code	Bearing	Size d.i./d.e/h(mm)	Cage	Balls	Contact	Abec	Brand	Type
	CN01B	3,175X6,350X2,779	Torlon	Steel	Radial	7	Tecnomed Italia	Smooth
	CB11BC	3,175X6,350X2,779	Fenolic	Ceramic	Radial	7	Myonic	Smooth

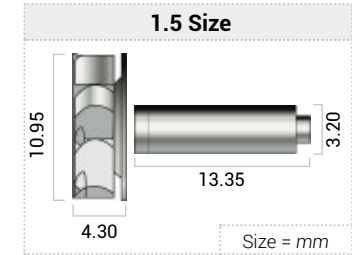
RELATED PRODUCTS			
Push button key for 4 slots	Spraycover Key	Adapter for spindles	Lubrication
Order code	KIV8000K	Philips-head screwdriver	CL5.001V
			Ivory Silk Oil OL101S

Faro® MT02 - Kavo® Smart Torque S609L/S609C - Smart Torque LUX 619L/619C

**HIGH SPEED
HANDPIECE**



VIDEO TUTORIAL

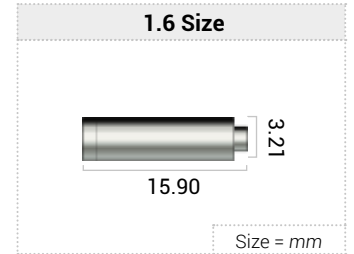
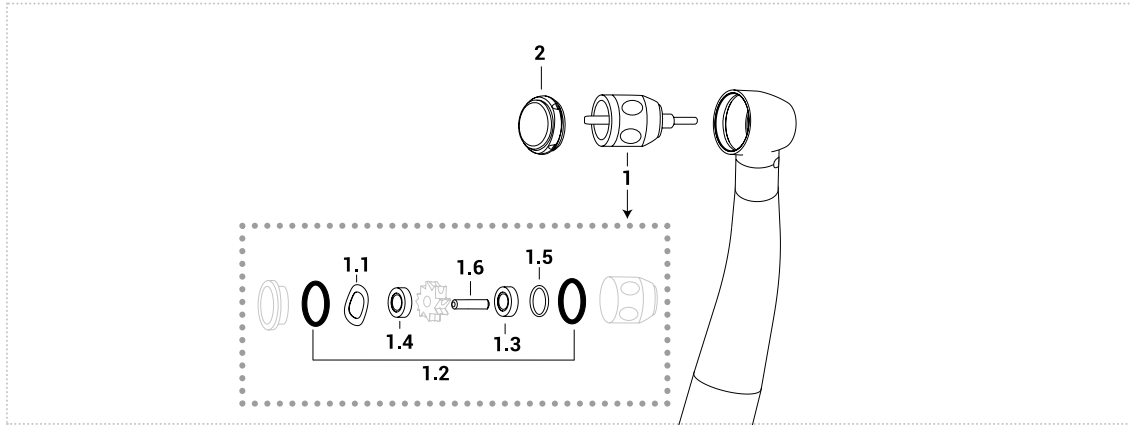


	1	1.1	1.2	1.3	1.4	1.5	2	3
	Complete rotor	Spring washer	O-ring kit 10 pcs	Bearing type (burs side)	Bearing type (push side)	Rotor without bearings	Push button	O-ring spray big
Order code	HKV619K	SA300F	OR1K	CN01B	CN01B	SC619K	HKV655	OIV613276
	HKV619KC			CN11BC	CN11BC			

1.3 - 1.4								
Order code	Bearing	Size d.i/d.e/h(mm)	Cage	Balls	Contact	Abec	Brand	Type
	CN01B	3,175X6,350X2,779	Torlon	Steel	Radial	7	Tecnomed Italia	Smooth
	CN11BC	3,175X6,350X2,779	Torlon	Ceramic	Radial	7	Tecnomed Italia	Smooth

RELATED PRODUCTS

Push button key for 4 slots	Adapter for spindles	Lubrication	
Order code	KIV8000K	CL5.001V	LIV1012 Ivory Silk Oil OL101S



1	1.1	1.2	1.3	1.4	1.5	1.6	2	
Complete rotor	Spring washer	O-ring kit 10 pcs	Bearing type (burs side)	Bearing type (push side)	Flat shim	Spindle	Push button	
Order code	NOT AVAILABLE	SA300FO	OIV1011	CN01B CB11BC	CN01B CB11BC	SA100F	MIV2019F	PIV4050F

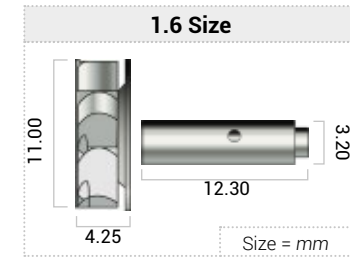
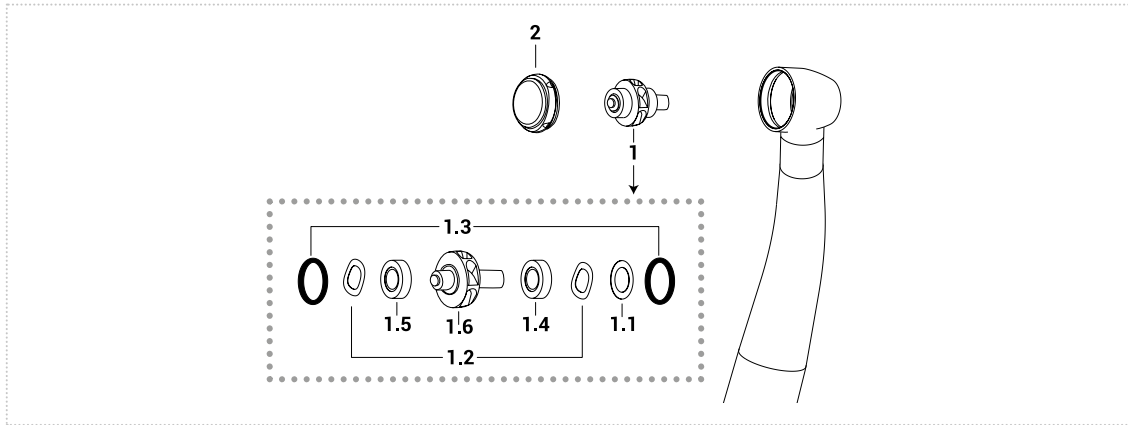
1.3 - 1.4								
Order code	Bearing	Size d.i/d.e/h(mm)	Cage	Balls	Contact	Abec	Brand	Type
	CN01B	3,175X6,350X2,779	Torlon	Steel	Radial	7	Tecnomed Italia	Smooth
	CB11BC	3,175X6,350X2,779	Fenolic	Ceramic	Radial	7	Myonic	Smooth

RELATED PRODUCTS		
Key for Push button not original	Adapter for spindles	Lubrication
Order code	KIV2050S	CL5.001V
		Ivory Silk Oil OL101S

Ivory T501*L

**HIGH SPEED
HANDPIECE**

* Coupler type	
K	Kavo coupler
B	BienAir coupler
N	NSK coupler
S	Sirona coupler



	1	1.1	1.2	1.3	1.4	1.5	1.6	2
	Complete rotor	Shim	Spring washer	O-ring kit 10 pcs	Bearing type (burs side)	Bearing type (push side)	Rotor without bearings	Push button
Order code	TIV500.1	SA100F	SA300F	OR1K	CB11BC	CB22BC	NOT AVAILABLE	HKV800

1.4 - 1.5								
	Bearing	Size d.i/d.e/h(mm)	Cage	Balls	Contact	Abec	Brand	Type
Order code	CN01B	3,175X6,350X2,779	Torlon	Steel	Radial	7	Tecnomed Italia	Smooth
	CN11BC	3,175X6,350X2,779	Torlon	Ceramic	Radial	7	Tecnomed Italia	Smooth
	CN11T	3,175X6,350X2,779	Fenolic	Steel	Radial	7	Myonic	Smooth
	CB11BC	3,175X6,350X2,779	Fenolic	Ceramic	Radial	7	Myonic	Smooth
	CN02A	3,175X6,350X2,380	Torlon	Steel	Radial	7	Tecnomed Italia	Smooth
	CN22BC	3,175X6,350X2,380	Torlon	Ceramic	Radial	7	Tecnomed Italia	Smooth
	CN22MC	3,175X6,350X2,380	Fenolic	Steel	Radial	7	Myonic	Smooth
	CB22BC	3,175X6,350X2,380	Fenolic	Ceramic	Radial	7	Myonic	Smooth

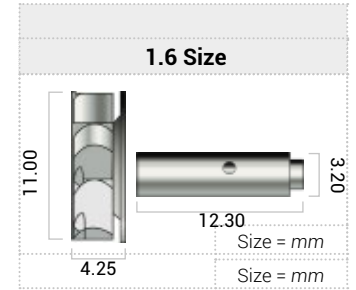
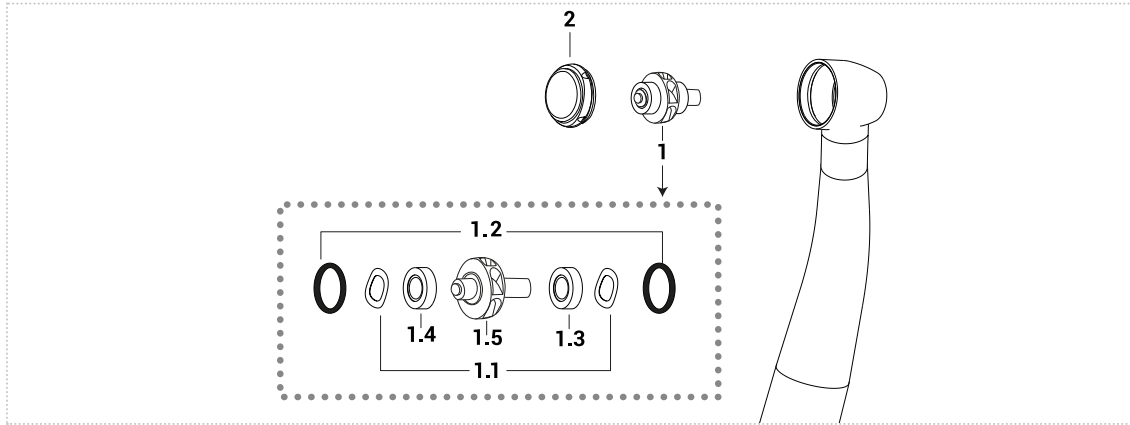
RELATED PRODUCTS

	Push button key for 4 slots	Adapter for spindles	Lubrication
Order code	KIV8000K	CL5.001V	Ivory Silk Oil OL101S

Ivory S504M*

**HIGH SPEED
HANDPIECE**

*SN ≥ 2501001
4 spray



	1	1.1	1.2	1.3	1.4	1.5	2
	Complete rotor	Spring washer	O-ring kit 10 pcs	Bearing type (burs side)	Bearing type (push side)	Rotor without bearings	Push button
Order code	TIV500.3	SA300F	OR1K	CB11BC	CB11BC	NOT AVAILABLE	HKV800

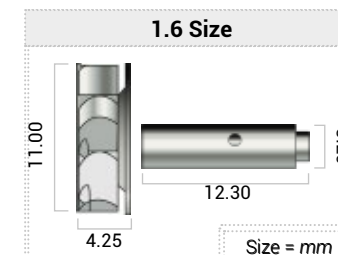
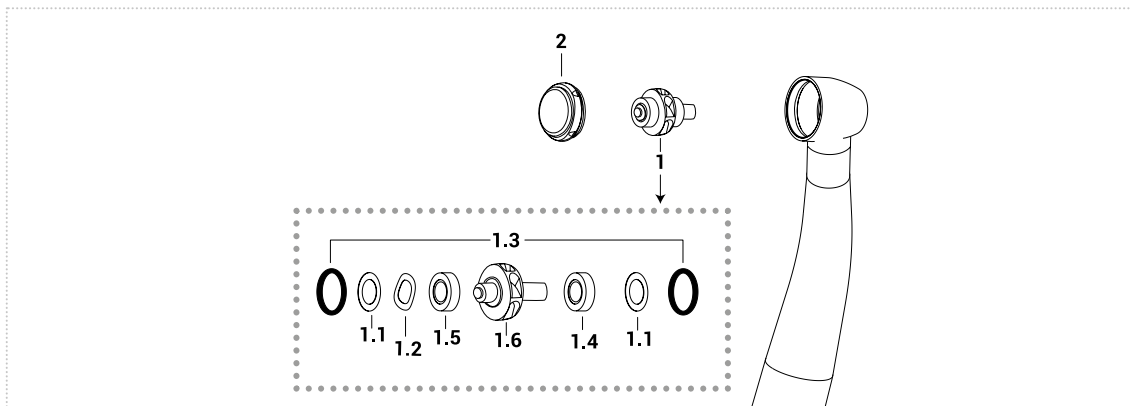
1.4 - 1.5								
	Bearing	Size d.i./d.e./h(mm)	Cage	Balls	Contact	Abec	Brand	Type
Order code	CN01B	3,175X6,350X2,779	Torlon	Steel	Radial	7	Tecnomed Italia	Smooth
	CN11BC	3,175X6,350X2,779	Torlon	Ceramic	Radial	7	Tecnomed Italia	Smooth
	CN11T	3,175X6,350X2,779	Fenolic	Steel	Radial	7	Myonic	Smooth
	CB11BC	3,175X6,350X2,779	Fenolic	Ceramic	Radial	7	Myonic	Smooth

RELATED PRODUCTS		
Push button key for 4 slots	Adapter for spindles	Lubrication
Order code	KIV8000K	CL5.001V Ivory Silk Oil OL101S

Ivory S504M* - S502B

**HIGH SPEED
HANDPIECE**

*SN ≤ 2452999
3 spray



	1	1.1	1.2	1.3	1.4	1.5	1.6	2
	Complete rotor	Shim	Spring washer	O-ring kit 10 pcs	Bearing type (burs side)	Bearing type (push side)	Rotor without bearings	Push button
Order code	TIV500.1	SA100F	SA300F	OR1K	CB11BC	CB22BC	NOT AVAILABLE	HKV800

* Coupler type	
K	Kavo coupler
B	BienAir coupler
N	NSK coupler
S	Sirona coupler

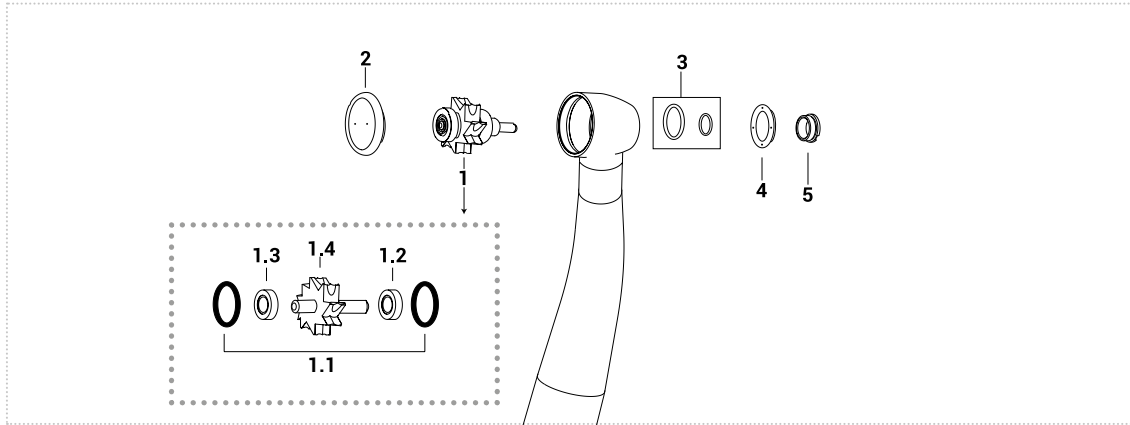
1.4 - 1.5								
	Bearing	Size d.i./d.e/h(mm)	Cage	Balls	Contact	Abec	Brand	Type
Order code	CN01B	3,175X6,350X2,779	Torlon	Steel	Radial	7	Tecnomed Italia	Smooth
	CN11BC	3,175X6,350X2,779	Torlon	Ceramic	Radial	7	Tecnomed Italia	Smooth
	CN11T	3,175X6,350X2,779	Fenolic	Steel	Radial	7	Myonic	Smooth
	CB11BC	3,175X6,350X2,779	Fenolic	Ceramic	Radial	7	Myonic	Smooth
	CN02A	3,175X6,350X2,380	Torlon	Steel	Radial	7	Tecnomed Italia	Smooth
	CN22BC	3,175X6,350X2,380	Torlon	Ceramic	Radial	7	Tecnomed Italia	Smooth
	CN22MC	3,175X6,350X2,380	Fenolic	Steel	Radial	7	Myonic	Smooth
	CB22BC	3,175X6,350X2,380	Fenolic	Ceramic	Radial	7	Myonic	Smooth

RELATED PRODUCTS

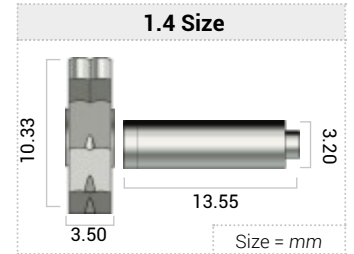
	Push button key for 4 slots	Adapter for spindles	Lubrication
Order code	KIV8000K	CL5.001V	Ivory Silk Oil OL101S

Kavo® 3 spray standard head 630B/C-640B/C

**HIGH SPEED
HANDPIECE**



VIDEO TUTORIAL



	1	1.1	1.2	1.3	1.4	2	3	5	6
	Complete rotor	O-ring kit 10 pcs	Bearing type (burs side)	Bearing type (push side)	Rotor without bearings	Push button	Kit O-ring spray	Cover spray	Cover spray screw
Order code	HKV850N	OR1K	CU6K	CU6K	SC850N	HKV676 for KaVo® 640	OR650F	OIV441K	OIV430K
	HKV851C		CU6CC	CU6CC		PIV2011K for KaVo® 630		OIV441K	OIV430K
	HKV850C		CUC99K	CUC99K				OIV441K	OIV430K
	HKV850T		CUB6B	CUB6B		OIV441K		OIV430K	

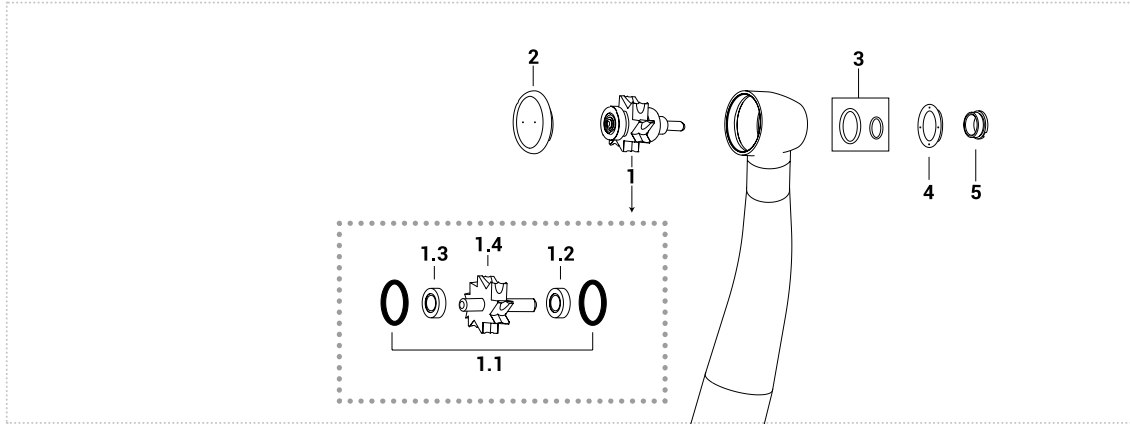
1.2 - 1.3								
Order code	Bearing	Size d.i./d.e/h(mm)	Cage	Balls	Contact	Abec	Brand	Type
	CU6K	3,175X6,350X2,779	Torlon	Steel	Radial	7	Tecnomed Italia	Groove
	CU6CC	3,175X6,350X2,779	Torlon	Ceramic	Radial	7	Tecnomed Italia	Groove
	CUC99K	3,175X6,350X2,779	Fenolic	Ceramic	Radial	7	Myonic	Groove
	CUB6B	3,175X6,350X2,779	Fenolic	Steel	Radial	7	Myonic	Groove

RELATED PRODUCTS

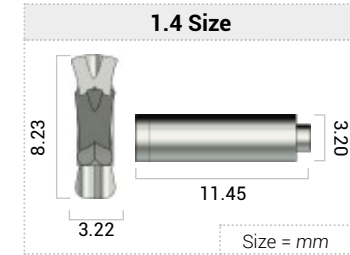
Spraycover Key	Push button key for 2 hole	Head expander	Adapter for spindles	Lubrication
Order code	KIV1022KT	KIV1011K	RT021M	CL5.001V
			LIV1012	Ivory Silk Oil OL101S

Kavo® 3 spray small head 642B/C-645B/C

**HIGH SPEED
HANDPIECE**



VIDEO TUTORIAL



	1	1.1	1.2	1.3	1.4	2	3	4	5
	Complete rotor	O-ring kit 10 pcs	Bearing type (burs side)	Bearing type (push side)	Rotor without bearings	Push button	Kit O-ring spray	Cover spray	Cover spray screw
Order code	HKV850P	OR1K	CU6K	CU6K	SC850P	HKV680 for 642	OR650F	OUT OF PRODUCTION	OUT OF PRODUCTION
	HKV852P		CU6CC	CU6CC		NOT AVAILABLE for 645			
	HKV62CP		CUC99K	CUC99K					
	HKV62TK		CUB6B	CUB6B					

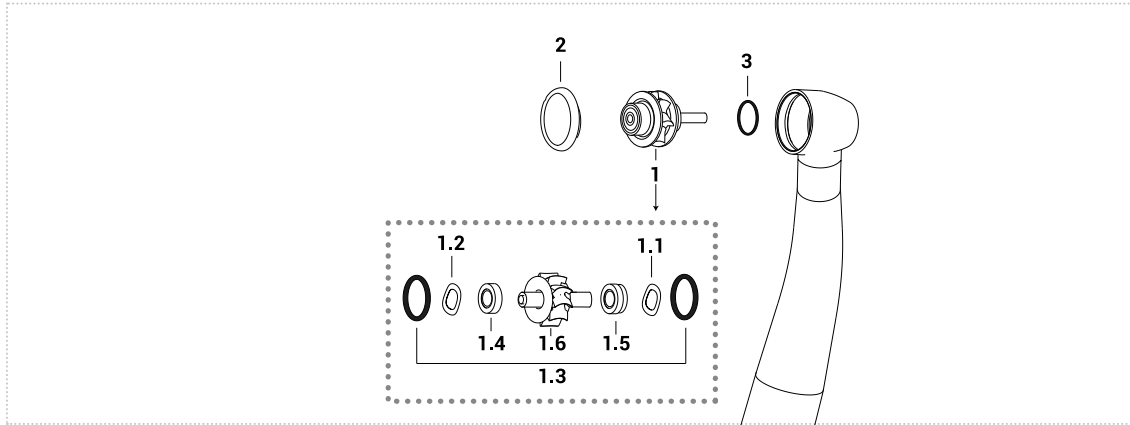
1.2 - 1.3								
	Bearing	Size d.i./d.e/h(mm)	Cage	Balls	Contact	Abec	Brand	Type
Order code	CU6K	3,175X6,350X2,779	Torlon	Steel	Radial	7	Tecnomed Italia	Groove
	CU6CC	3,175X6,350X2,779	Torlon	Ceramic	Radial	7	Tecnomed Italia	Groove
	CUC99K	3,175X6,350X2,779	Fenolic	Ceramic	Radial	7	Myonic	Groove
	CUB6B	3,175X6,350X2,779	Fenolic	Steel	Radial	7	Myonic	Groove

RELATED PRODUCTS

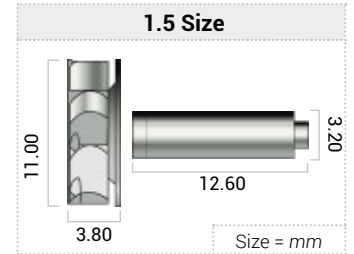
Spraycover Key	Push button key for 2 hole	Head expander	Adapter for spindles	Lubrication		
Order code	KIV1022KT	KIV1011K	RT022M	CL5.001V	LIV1012	Ivory Silk Oil OL101S

Kavo® Expert Torque E680L

**HIGH SPEED
HANDPIECE**



VIDEO TUTORIAL



	1	1.1	1.2	1.3	1.4	1.5	1.6	2	3
	Complete rotor	Spring washer	Spring washer (push side)	O-ring Kit 10 pcs	Bearing type (burs side)	Bearing type (push side)	Rotor without bearings	Push button	O-ring spray
Order code	HKV680L	SA300F	SA400K	OR1K	CN01B	CU60SK	SC680K	PIV680L	NOT AVAILABLE
	HKV680LC				CB11BC	CU60CC			

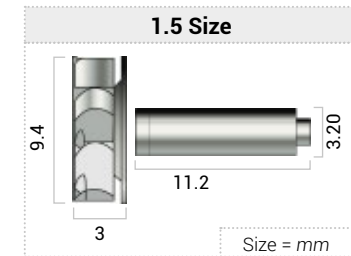
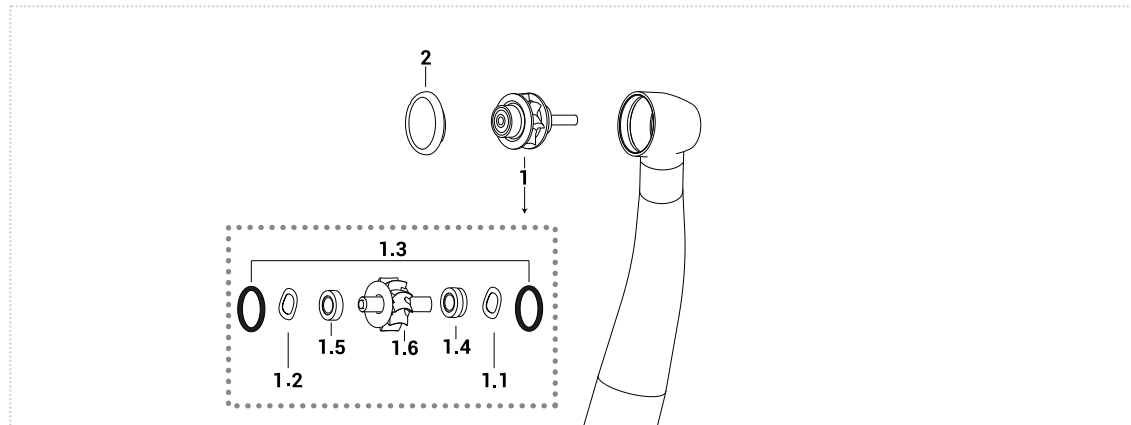
1.3 - 1.4								
Order code	Bearing	Size d.i/d.e/h(mm)	Cage	Balls	Contact	Abec	Brand	Type
	CN01B	3,175X6,350X2,779	Torlon	Steel	Radial	7	Tecnomed Italia	Smooth
	CU60SK	3,175X6,350X2,380	Torlon	Steel	Radial	7	Tecnomed Italia	Groove
	CB11BC	3,175X6,350X2,779	Fenolic	Ceramic	Radial	7	Myonic	Smooth
	CU60CC	3,175X6,350X2,380	Fenolic	Ceramic	Radial	7	Myonic	Groove

RELATED PRODUCTS

	Push button key for 4 slots	Adapter for spindles	Lubrication	
Order code	KIV8000K	CL5.001V	LIV1012	Ivory Silk Oil OL101S

Kavo® Expert Torque Mini Lux E675-E677

**HIGH SPEED
HANDPIECE**



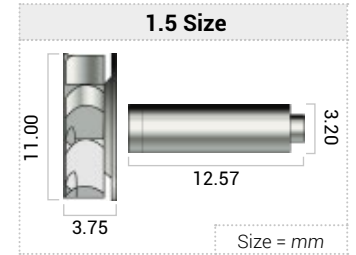
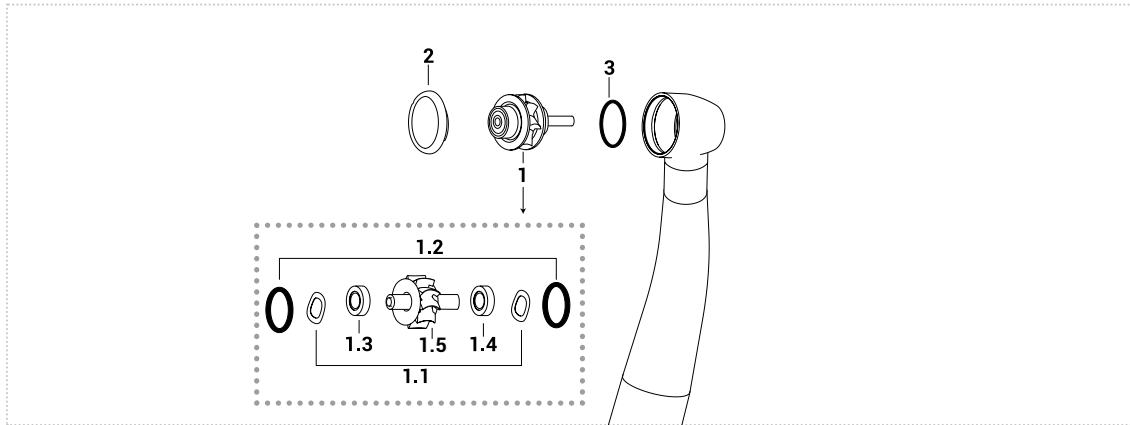
	1	1.1	1.2	1.3	1.4	1.5	1.6	2
	Complete rotor	Spring washer	Spring washer (push side)	O-ring kit 10 pcs	Bearing type (burs side)	Bearing type (push side)	Rotor without bearings	Push button
Order code	HKV687K	SA300F	SA400K	OR1K	CU60SK	CU700K	SC687K	PIV6775L
	HKV687KC				CU60CC	CU700KC		









1.4 - 1.5								
	Bearing	Size d.i/d.e/h(mm)	Cage	Balls	Contact	Abec	Brand	Type
Order code	CU700K	3,175X6,350X2,380/2,779	Torlon	Steel	Radial	7	Tecnomed Italia	Groove
	CU700KC	3,175X6,350X2,380/2,779	Torlon	Ceramic	Radial	7	Tecnomed Italia	Groove
	CU60SK	3,175X6,350X2,380/2,7793	Torlon	Steel	Radial	7	Tecnomed Italia	Groove
	CU60CC	3,175X6,350X2,380/2,7793	Torlon	Ceramic	Radial	7	Tecnomed Italia	Groove

RELATED PRODUCTS			
Push button key	Adapter for spindles	Lubrication	
Order code	KIV677K	CL5.001V	LIV1012 Ivory Silk Oil OL101S


Kavo® Master Torque M9000/L

**HIGH SPEED
HANDPIECE**



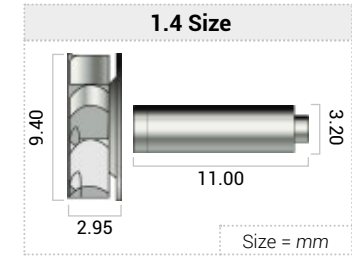
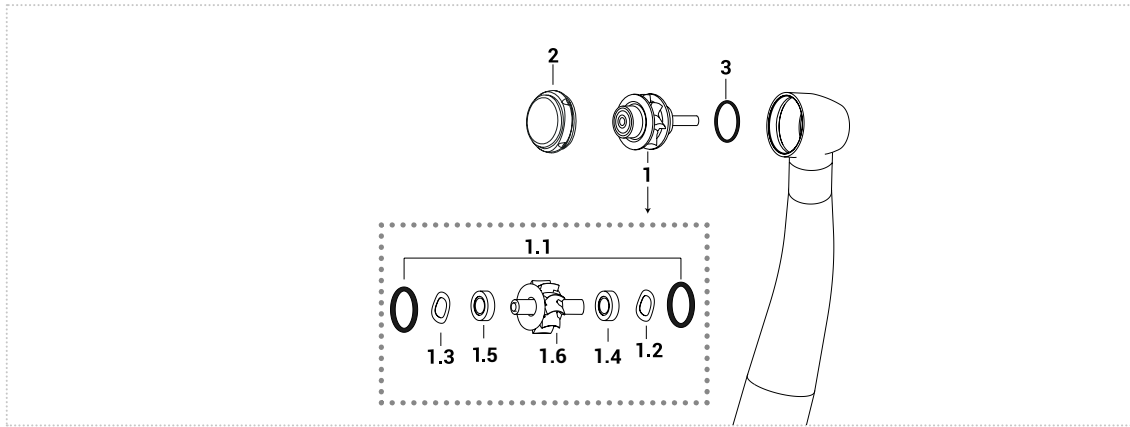
								
	1	1.1	1.2	1.3	1.4	1.5	2	3
	Complete rotor	Spring washer	O-ring kit 10 pcs	Bearing type (burs side)	Bearing type (push side)	Rotor without bearings	Push button	O-ring spray
Order code	HKV9000	SA300F	OR1K	CN01B	CN01B	SC9000	HKV900	NOT AVAILABLE
	HKC9000CH			CN11BC	CN11BC			
	HKV9000T			CN11T	CN11T			
	HKC9000			CB11BC	CB11BC			

1.3 - 1.4								
Order code	Bearing	Size d.i./d.e/h(mm)	Cage	Balls	Contact	Abec	Brand	Type
	CN01B	3,175X6,350X2,779	Torlon	Steel	Radial	7	Tecnomed Italia	Smooth
	CN11BC	3,175X6,350X2,779	Torlon	Ceramic	Radial	7	Tecnomed Italia	Smooth
	CN11T	3,175X6,350X2,779	Fenolic	Steel	Radial	7	Myonic	Smooth
	CB11BC	3,175X6,350X2,779	Fenolic	Ceramic	Radial	7	Myonic	Smooth

RELATED PRODUCTS			
			
Push button key for 4 slots	Adapter for spindles	Lubrication	
Order code	KIV8000K	CL5.001V	LIV1012 Ivory Silk Oil OL101S

Kavo® Master Torque Mini Lux M8700L

**HIGH SPEED
HANDPIECE**



	1	1.1	1.2	1.3	1.4	1.5	1.6	2	3
	Complete rotor	O-ring kit 10 pcs	Spring washer	Spring washer (push side)	Bearing type (burs side)	Bearing type (push side)	Rotor without bearings	Push button	O-ring spray
Order code	HKV870KC	OR1K	SA300F	SA400K	CU77C	CN11BC	SC870K	HKV870	NOT AVAILABLE

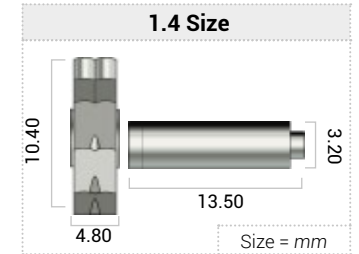
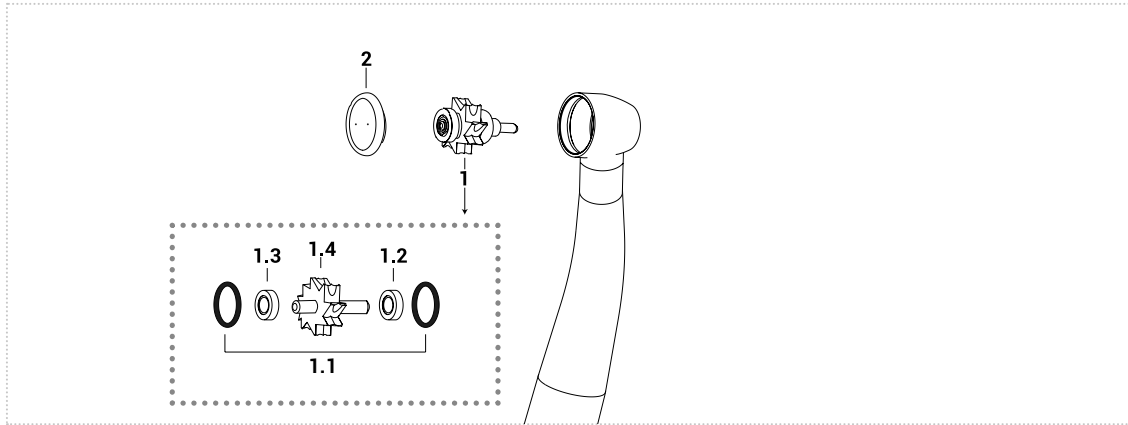
1.4 - 1.5								
	Bearing	Size d.i./d.e/h(mm)	Cage	Balls	Contact	Abec	Brand	Type
Order code	CU77C	3,175X6,350X2,779	Torlon	Ceramic	Radial	7	Tecnomed Italia	Smooth Flanged
	CN11BC	3,175X6,350X2,779	Torlon	Ceramic	Radial	7	Tecnomed Italia	Smooth

RELATED PRODUCTS

	Push button key for 4 slots	Adapter for spindles	Lubrication
Order code	KIV8000K	CL5.001V	LIV1012 Ivory Silk Oil OL101S

Kavo® Power Torque Lux 646B

**HIGH SPEED
HANDPIECE**



	1	1.1	1.2	1.3	1.4	2
	Complete rotor	O-ring kit 10 pcs	Bearing type (burs side)	Bearing type (push side)	Rotor without bearings	Push button
Order code	HKV646K	OR1K	CU6K	CU6K	SC646K	HKV674
	HKV646KC		CUC99K	CUC99K		

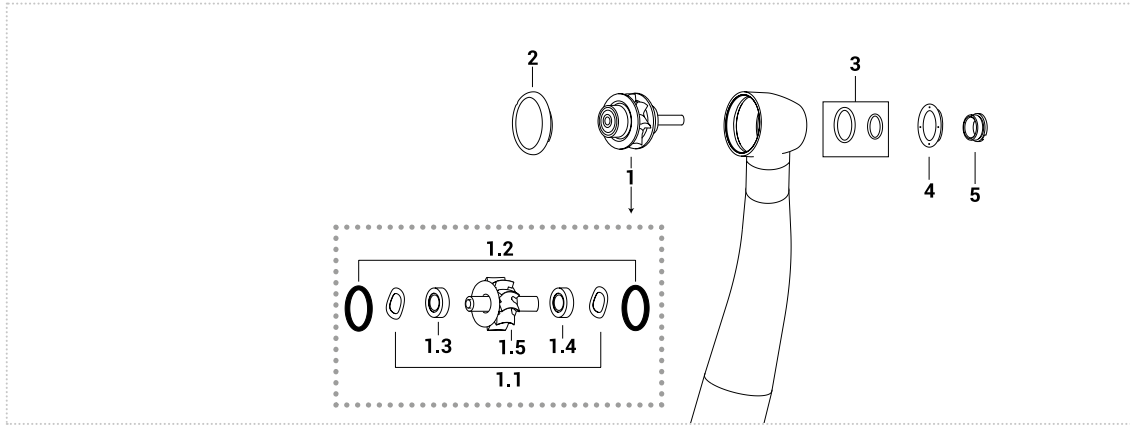
1.2 - 1.3								
Order code	Bearing	Size d.i./d.e/h(mm)	Cage	Balls	Contact	Abec	Brand	Type
	CU6K	3,175X6,350X2,779	Torlon	Steel	Radial	7	Tecnomed Italia	Groove
	CUC99K	3,175X6,350X2,779	Fenolic	Ceramic	Radial	7	Myonic	Groove

RELATED PRODUCTS

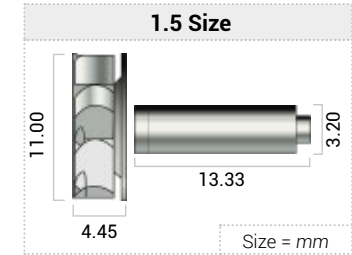
Push button key for 4 slots	Adapter for spindles	Lubrication	
Order code	KIV8000K	CL5.001V	LIV1012 Ivory Silk Oil OL101S

Kavo® Super Torque 655B/C - 660B/C

**HIGH SPEED
HANDPIECE**



VIDEO TUTORIAL



	1	1.1	1.2	1.3	1.4	1.5	2	3	4	5
	Complete rotor	Spring washer	O-ring kit 10 pcs	Bearing type (burs side)	Bearing type (push side)	Rotor without bearings	Push button	Kit O-ring spray	Cover spray	Cover spray screw
Order code	HKV655K	SA300F	OR1K	CN01B	CN01B	SC655K	HKV655	OR660F	OIV531K	OIV555K
	HKV655H			CN11BC	CN11BC					
	HKT655T			CN11T	CN11T					
	HKC655KC			CB11BC	CB11BC					

1.3 - 1.4

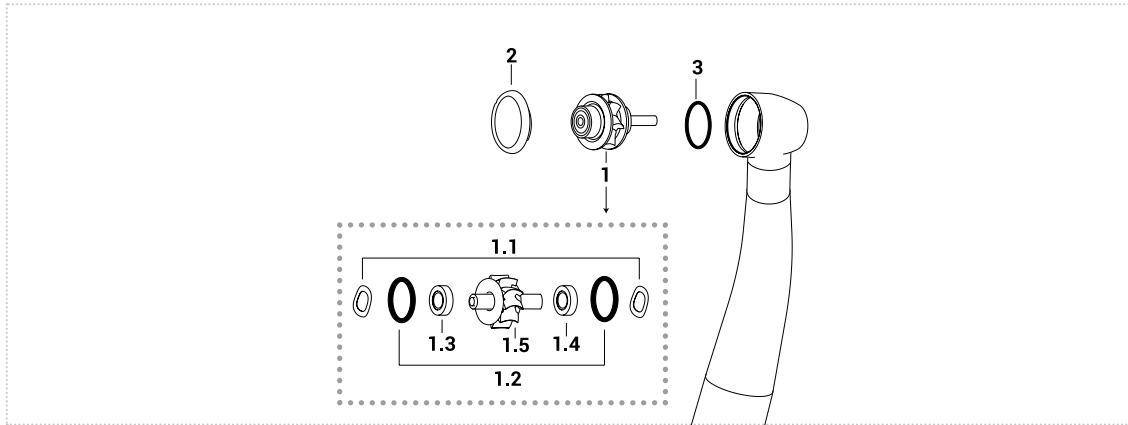
	Bearing	Size d.i./d.e/h(mm)	Cage	Balls	Contact	Abec	Brand	Type
Order code	CN01B	3,175X6,350X2,779	Torlon	Steel	Radial	7	Tecnomed Italia	Smooth
	CN11BC	3,175X6,350X2,779	Torlon	Ceramic	Radial	7	Tecnomed Italia	Smooth
	CN11T	3,175X6,350X2,779	Fenolic	Steel	Radial	7	Myonic	Smooth
	CB11BC	3,175X6,350X2,779	Fenolic	Ceramic	Radial	7	Myonic	Smooth

RELATED PRODUCTS

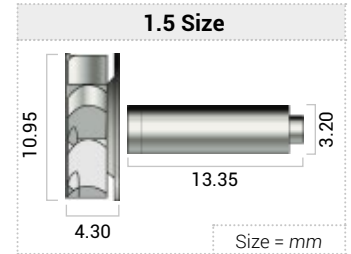
Push button key for 4 slots	Spraycover Key	Head expander	Adapter for spindles	Lubrication
Order code	KIV8000K	KIV1022KT	RT033M	CL5.001V LIV1012 Ivory Silk Oil OL101S

Kavo® Smart Torque S609L/S609C - Smart Torque LUX 619L/619C - Faro® MT02

**HIGH SPEED
HANDPIECE**



VIDEO TUTORIAL



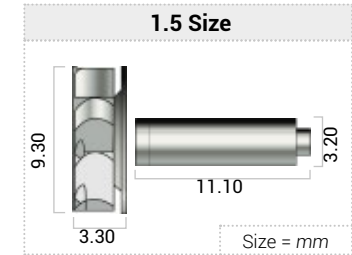
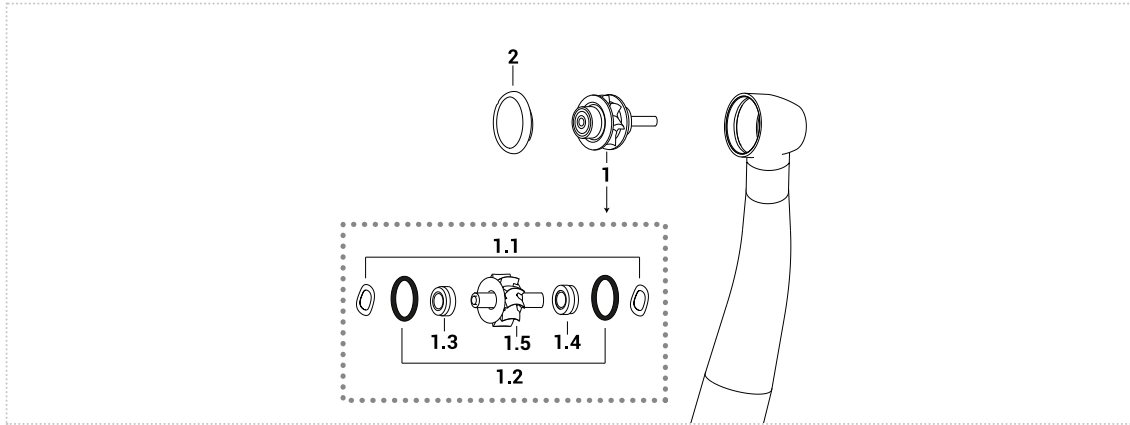
	1	1.1	1.2	1.3	1.4	1.5	2	3
	Complete rotor	Spring washer	O-ring kit 10 pcs	Bearing type (burs side)	Bearing type (push side)	Rotor without bearings	Push button	O-ring spray big
Order code	HKV619K HKV619KC	SA300F	OR1K	CN01B CN11BC	CN01B CN11BC	SC619K	HKV655	OIV613276

1.3 - 1.4								
	Bearing	Size d.i./d.e/h(mm)	Cage	Balls	Contact	Abec	Brand	Type
Order code	CN01B	3,175X6,350X2,779	Torlon	Steel	Radial	7	Tecnomed Italia	Smooth
	CN11BC	3,175X6,350X2,779	Torlon	Ceramic	Radial	7	Tecnomed Italia	Smooth

RELATED PRODUCTS			
Push button key for 4 slots	Adapter for spindles	Lubrication	
Order code	KIV8000K	CL5.001V	LIV1012 Ivory Silk Oil OL101S

Kavo® Smart Torque Mini S615L - Smart Torque Mini S605C

**HIGH SPEED
HANDPIECE**



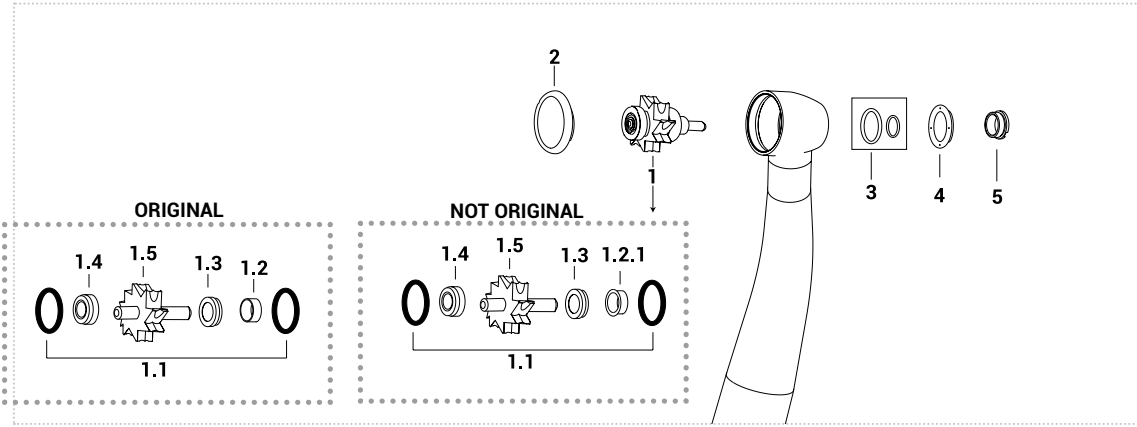
	1	1.1	1.2	1.3	1.4	1.5	2
	Complete rotor	Spring washer	O-ring kit 10 pcs	Bearing type (burs side)	Bearing type (push side)	Rotor without bearings	Push button
Order code	HKV615K	SA300F	OR1K	CU60SK	CU60SK	SC615K	PIV6515L
	HKV615KC			CU60CC	CU60CC		



1.3 - 1.4								
	Bearing	Size d.i/d.e/h(mm)	Cage	Balls	Contact	Abec	Brand	Type
Order code	CU60SK	3,175X6,350X2,380/2,779	Torlon	Steel	Radial	7	Tecnomed Italia	Groove
	CU60CC	3,175X6,350X2,380/2,779	Torlon	Ceramic	Radial	7	Tecnomed Italia	Groove

RELATED PRODUCTS

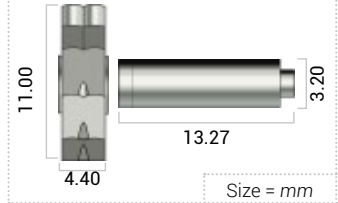
Push button key for 4 slots	Adapter for spindles	Lubrication	
Order code	KIV677K	CL5.001V	LIV1012 Ivory Silk Oil OL101S



VIDEO TUTORIAL



1.5 Size

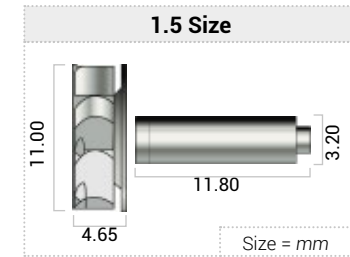
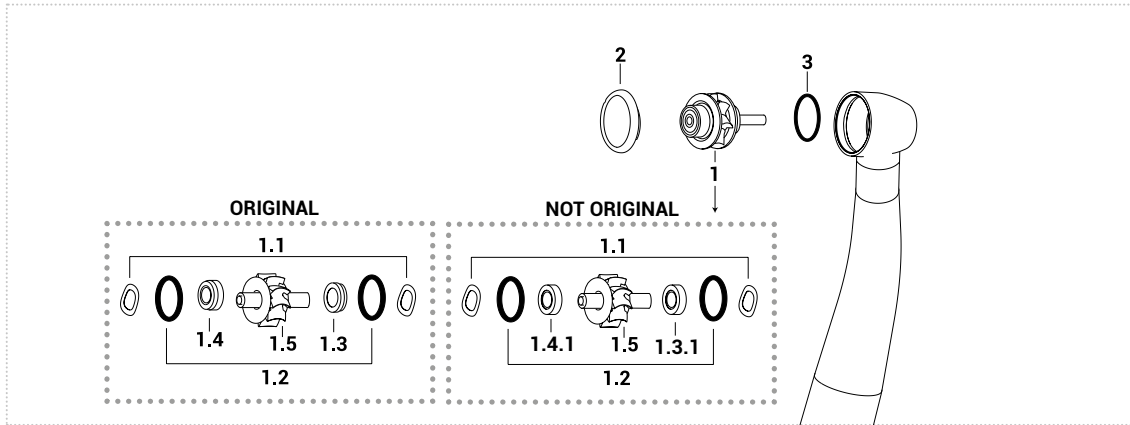


	1	1.1	1.2	1.2.1	1.3	1.4	1.5	2	3	4	5
	Complete rotor	O-ring kit 10 pcs	Slinger original rotor (burs side)	Slinger not original rotor (burs side)	Bearing type (burs side)	Bearing type (push side)	Rotor without bearings	Push button	Kit O-ring spray	Cover spray	Cover spray screw
Order code	HKV865	OR1K	HKV214	11.630	CU6K	CU6K	SC865K	HKV674	OR660F	OIV531K	OIV530K
	HKV865CH				CU6CC	CU6CC					
	HKV865B				CUB6B	CUB6B					
	HKV8650C				CUC99K	CUC99K					

1.3 - 1.4								
Order code	Bearing	Size d.i./d.e/h(mm)	Cage	Balls	Contact	Abec	Brand	Type
	CU6K	3,175X6,350X2,779	Torlon	Steel	Radial	7	Tecnomed Italia	Groove
	CU6CC	3,175X6,350X2,779	Torlon	Ceramic	Radial	7	Tecnomed Italia	Groove
	CUC99K	3,175X6,350X2,779	Fenolic	Ceramic	Radial	7	Myonic	Groove
	CUB6B	3,175X6,350X2,779	Fenolic	Steel	Radial	7	Myonic	Groove

RELATED PRODUCTS

Push button key for 4 slots	Spraycover Key	Adapter for spindles	Lubrication	
Order code	KIV8000K	KIV1022KT	CL5.001V	LIV1012 Ivory Silk Oil OL101S



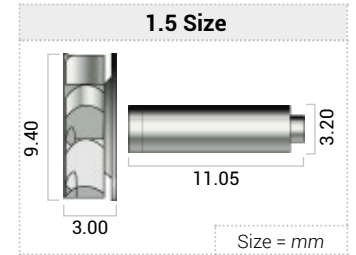
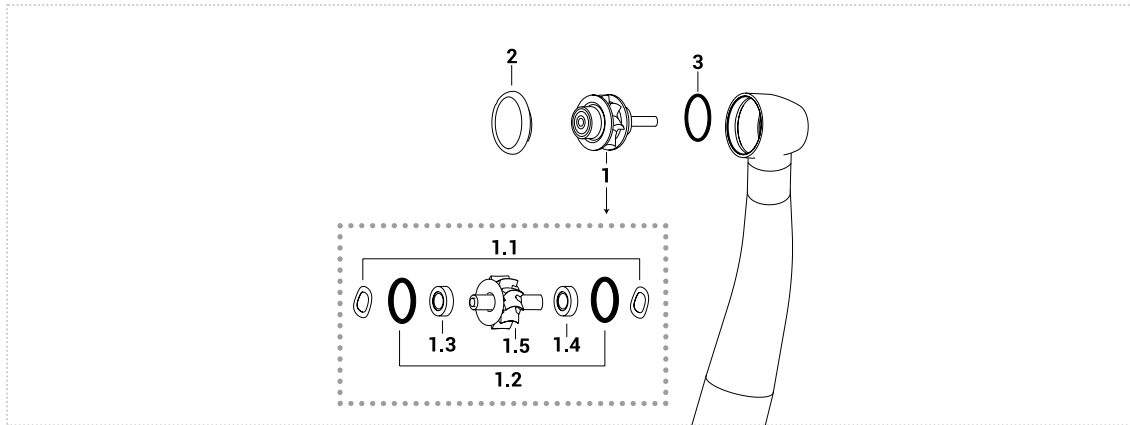
	1	1.1	1.2	1.3	1.4	1.3.1	1.4.1	1.5	2	3
	Complete rotor	Spring washer	O-ring kit 10 pcs	Bearing type (burs side)	Bearing type (push side)	Bearing type (burs side)	Bearing type (push side)	Rotor without bearings	Push button	O-ring spray big
Order code	HKC700N	SA300F	OR1K	CU700K	CU700K	CN02A	CN02A	SC700K	HKV655	OIV613276
	HKT7001H					CN22BC	CN22BC			
	HKT700T					CN22MC	CN22MC			
	HKC7000					CB22BC	CB22BC			

1.3 - 1.4 - 1.3.1 - 1.4.1								
Order code	Bearing	Size d.i./d.e/h(mm)	Cage	Balls	Contact	Abec	Brand	Type
	CU700K	3,175X6,350X2,380/2,779	Torlon	Steel	Radial	7	Tecnomed Italia	Groove
	CN02A	3,175X6,350X2,380	Torlon	Steel	Radial	7	Tecnomed Italia	Smooth
	CN22BC	3,175X6,350X2,380	Torlon	Ceramic	Radial	7	Tecnomed Italia	Smooth
	CN22MC	3,175X6,350X2,380	Fenolic	Steel	Radial	7	Myonic	Smooth
	CB22BC	3,175X6,350X2,380	Fenolic	Ceramic	Radial	7	Myonic	Smooth

RELATED PRODUCTS				
Push button key for 4 slots	Head expander	Adapter for spindles	Lubrication	
Order code	KIV8000K	RT024	CL5.001V	LIV1012 Ivory Silk Oil OL101S

Kavo® Gentle Mini LUX 5000B

**HIGH SPEED
HANDPIECE**



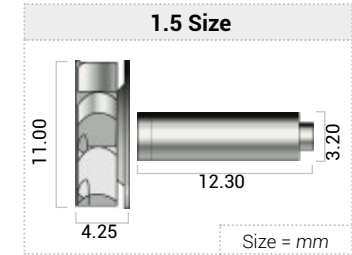
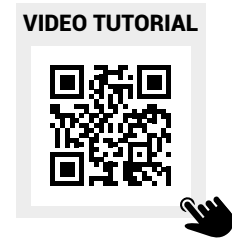
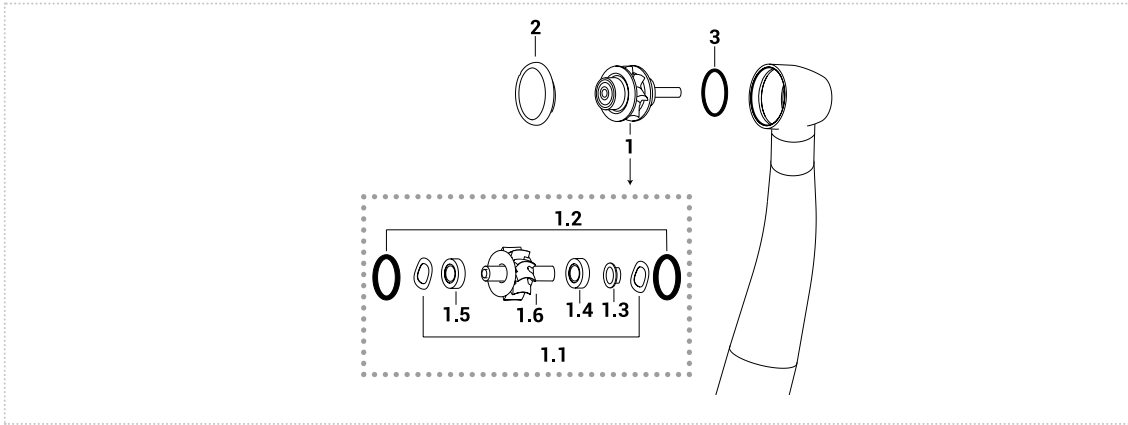
	1	1.1	1.2	1.3	1.4	1.5	2	3
	Complete rotor	Spring washer	O-ring kit 10 pcs	Bearing type (burs side)	Bearing type (push side)	Rotor without bearings	Push button	O-ring spray big
Order code	HKV5000KC	SA300F	OR1K	CU60CC	CU60CC	SC5000	PIV6775L	OIV613276

1.3 - 1.4								
	Bearing	Size d.i/d.e/h(mm)	Cage	Balls	Contact	Abec	Brand	Type
Order code	CU60CC	3,175X6,350X2,380/2.7793	Torlon	Ceramic	Radial	7	Tecnomed Italia	Groove

RELATED PRODUCTS			
Push button key for 4 slots	Adapter for spindles	Lubrication	
Order code	KIV677K	CL5.001V	LIV1012 Ivory Silk Oil OL101S

Kavo® Gentle Silence LUX 8000B/C

**HIGH SPEED
HANDPIECE**



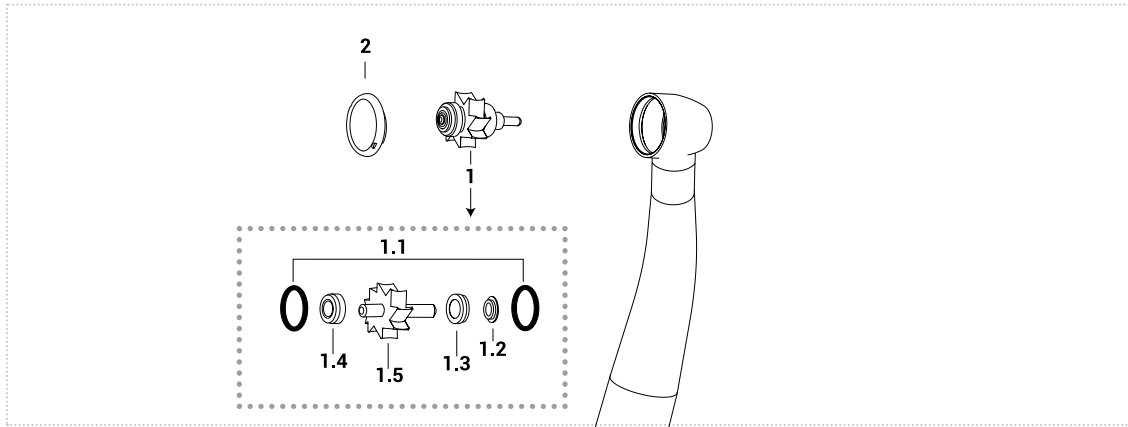
	1	1.1	1.2	1.2	1.3	1.4	1.5	2	3
	Complete rotor	Spring washer	O-ring kit 10 pcs	Slinger	Bearing type (burs side)	Bearing type (push side)	Rotor without bearings	Push button	O-ring spray big
Order code	HKN8000	SA300F	OR1K	NOT AVAILABLE	CN01B	CN02A	SC8000	HKV800	OIV613276
	HKN8002				CN11BC	CN22BC			
	HKN8001				CN11T	CN22MC			
	HKC8000				CB11BC	CB22BC			

1.3 - 1.4								
Order code	Bearing	Size d.i/d.e/h(mm)	Cage	Balls	Contact	Abec	Brand	Type
	CN01B	3,175X6,350X2,779	Torlon	Steel	Radial	7	Tecnomed Italia	Smooth
	CN11BC	3,175X6,350X2,779	Torlon	Ceramic	Radial	7	Tecnomed Italia	Smooth
	CN11T	3,175X6,350X2,779	Fenolic	Steel	Radial	7	Myonic	Smooth
	CB11BC	3,175X6,350X2,779	Fenolic	Ceramic	Radial	7	Myonic	Smooth
	CN02A	3,175X6,350X2,380	Torlon	Steel	Radial	7	Tecnomed Italia	Smooth
	CN22BC	3,175X6,350X2,380	Torlon	Ceramic	Radial	7	Tecnomed Italia	Smooth
	CN22MC	3,175X6,350X2,380	Fenolic	Steel	Radial	7	Myonic	Smooth
	CB22BC	3,175X6,350X2,380	Fenolic	Ceramic	Radial	7	Myonic	Smooth

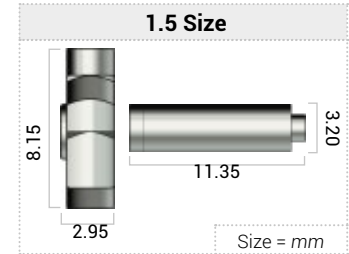
RELATED PRODUCTS				
Push button key for 4 slots	Head expander	Adapter for spindles	Lubrication	
Order code	KIV8000K	RT024	CL5.001V	LIV1012 Ivory Silk Oil OL101S

Kavo® Bella-Torque Mini 637B/C

**HIGH SPEED
HANDPIECE**



VIDEO TUTORIAL



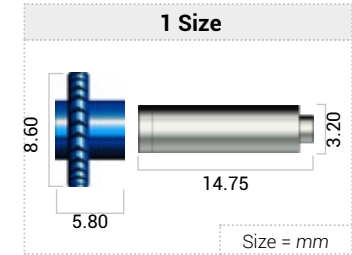
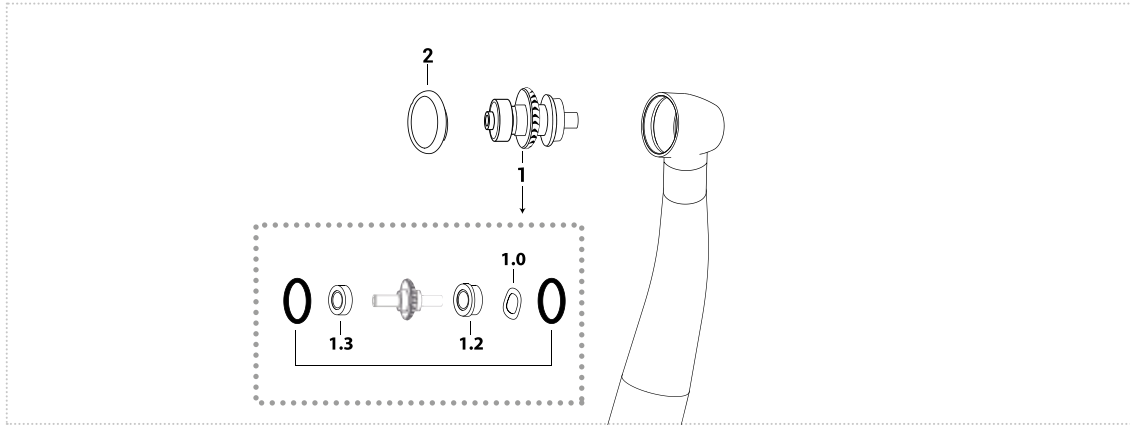
	1	1.1	1.2	1.3	1.4	1.5	2
	Complete rotor	O-ring kit 10 pcs	Slinger	Bearing type (burs side)	Bearing type (push side)	Rotor without bearings	Push button
Order code	HKV637K	OR1K	NOT AVAILABLE	CU60SK	CU60SK	SC637K	HKV688
	HKV63N7K			CU60CC	CU60CC		

1.3 - 1.4

Order code	1.3 - 1.4							
	Bearing	Size d.i/d.e/h(mm)	Cage	Balls	Contact	Abec	Brand	Type
	CU60SK	3,175X6,350X2,380/27793	Torlon	Steel	Radial	7	Tecnomed Italia	Groove
	CU60CC	3,175X6,350X2,380/27793	Torlon	Ceramic	Radial	7	Tecnomed Italia	Groove

RELATED PRODUCTS

Push button key for 4 slots	Adapter for spindles	Lubrication	
Order code	KIV637K	CL5.001V	LIV1012 Ivory Silk Oil OL101S



	1	1.0	1.1	1.2	1.3	2
	Complete rotor	Spring washer	O-ring	Bearing type (burs side)	Bearing type (push side)	Push button
Order code	MDQ123	SA300F	OR5MW	CU7C	CN02A	HKVQ56

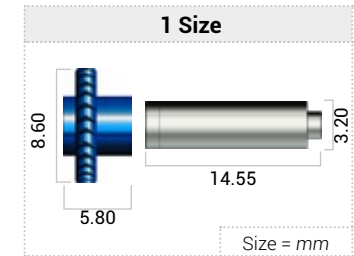
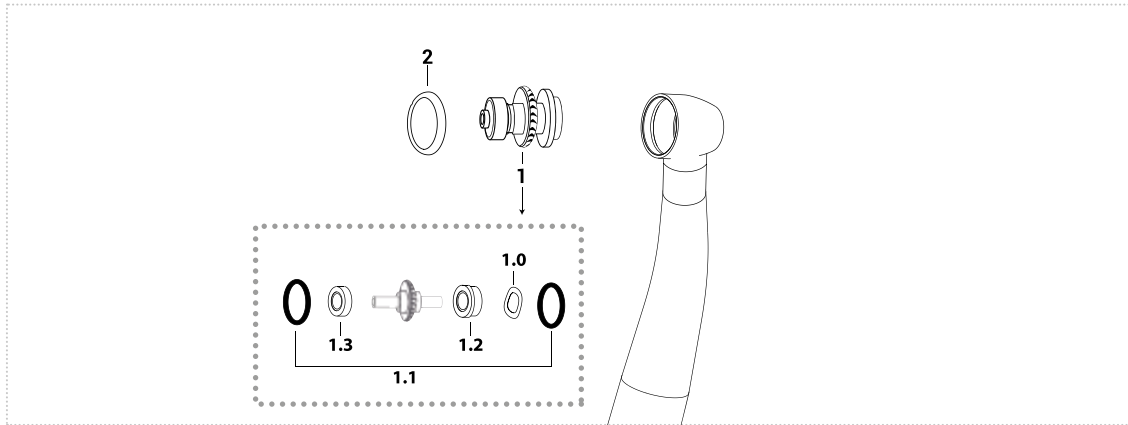
1.2 - 1.3								
	Bearing	Size d.i/d.e/h(mm)	Cage	Balls	Contact	Abec	Brand	Type
Order code	CU7C	3,175X6,350X2,779	Torlon	Steel	Radial	7	Tecnomed Italia	Flanged
	CN02A	3,175X6,350X2,380	Torlon	Steel	Radial	7	Tecnomed Italia	Smooth

RELATED PRODUCTS

	Push button key	Adapter for spindles	Lubrication
Order code	KIV0025B	CL5.001V	Ivory Silk Oil OL101S

Midwest® QuietAir F.G.

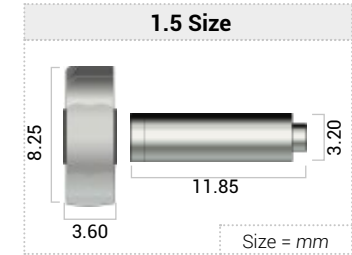
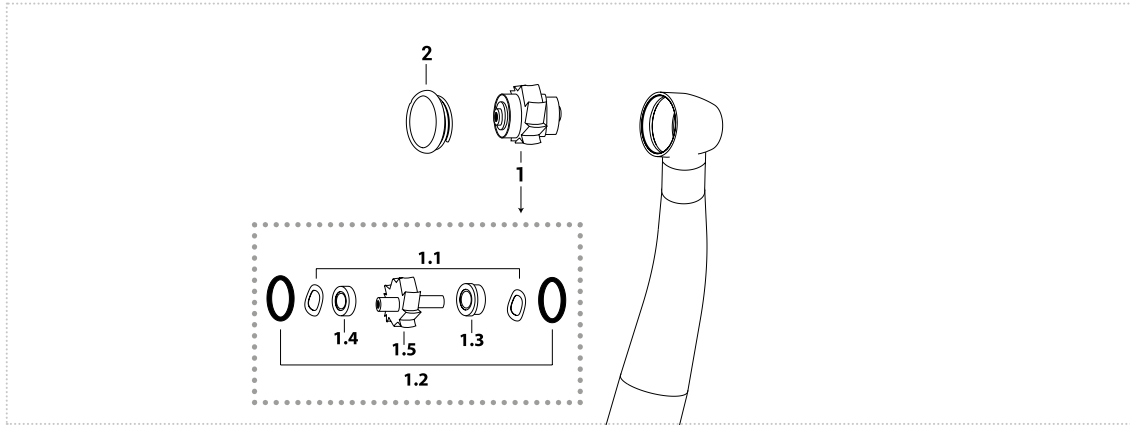
**HIGH SPEED
HANDPIECE**



	1	1.0	1.1	1.2	1.3	2
	Complete rotor	Spring washer	O-ring	Bearing type (burs side)	Bearing type (push side)	Cover
Order code	MDQ124C	SA300F	OR5MW	CU7C	CN02A	NOT AVAILABLE

1.2 - 1.3								
	Bearing	Size d.i./d.e/h(mm)	Cage	Balls	Contact	Abec	Brand	Type
Order code	CU7C	3,175X6,350X2,779	Torlon	Steel	Radial	7	Tecnomed Italia	Flanged
	CN02A	3,175X6,350X2,380	Torlon	Steel	Radial	7	Tecnomed Italia	Smooth

RELATED PRODUCTS		
Push button key	Adapter for spindles	Lubrication
Order code	KIV0025B	CL5.001V
		Ivory Silk Oil OL101S



	1	1.1	1.2	1.3	1.4	1.5	2
	Complete rotor	Spring washer	O-ring kit 10 pcs	Bearing type (burs side)	Bearing type (push side)	Rotor without bearings	Push button
Order code	MDW101	SA300F	OR5MW	CU7C	CN02A	SC101	HKVM55

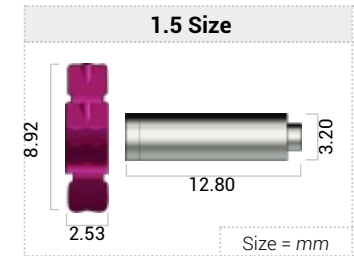
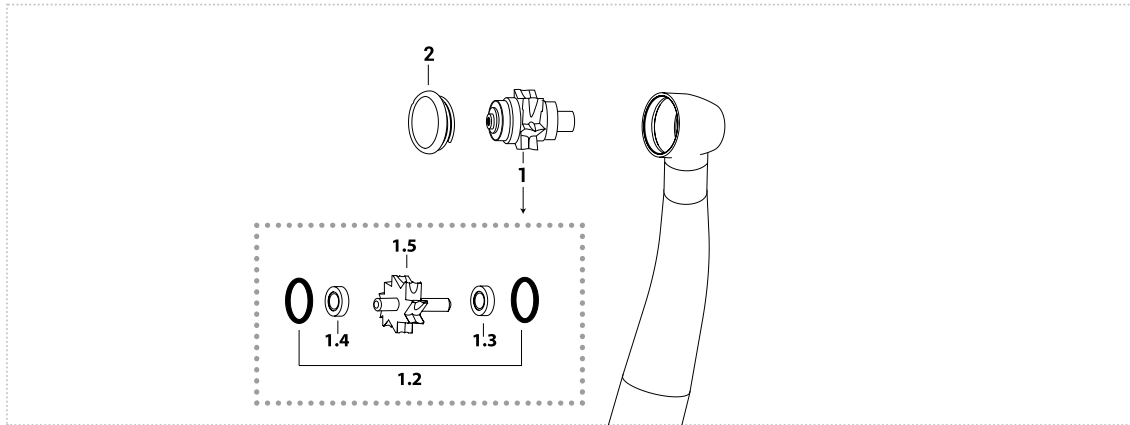
1.3 - 1.4								
	Bearing	Size d.i/d.e/h(mm)	Cage	Balls	Contact	Abec	Brand	Type
Order code	CU7C	3,175X6,350X2,779	Torlon	Steel	Radial	7	Tecnomed Italia	Flanged
	CN02A	3,175X6,350X2,380	Torlon	Steel	Radial	7	Tecnomed Italia	Smooth

RELATED PRODUCTS

	Push button key	Adapter for spindles	Lubrication
Order code	KIV0025B	CL5.001V	Ivory Silk Oil OL101S

Midwest® Stylus 540/541

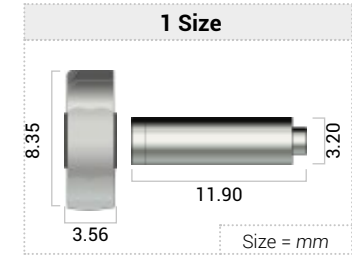
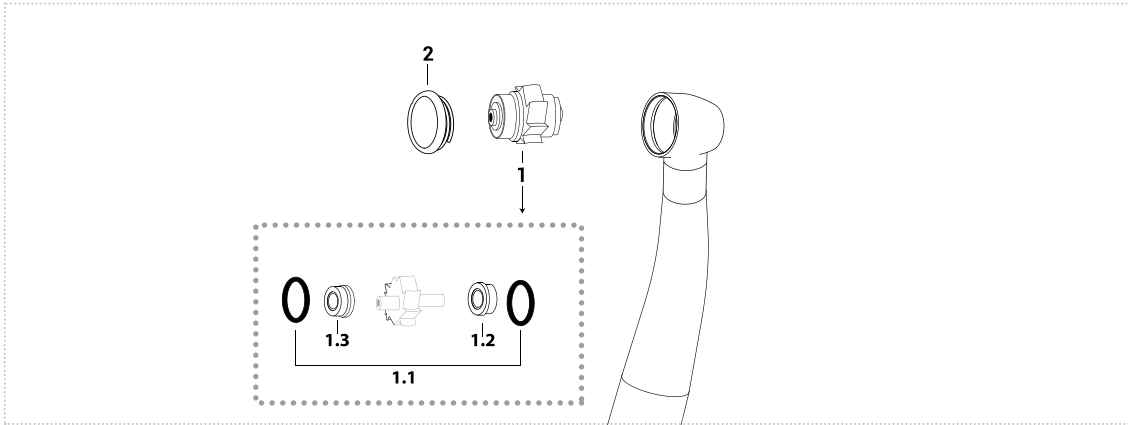
**HIGH SPEED
HANDPIECE**



	1	1.2	1.3	1.4	1.5	2
	Complete rotor	O-ring kit 10 pcs	Bearing type (burs side)	Bearing type (push side)	Rotor without bearings	Push button
Order code	MDW122	OR7SM	CU36M	CU36M	SC122	HKMS54 for Midwest® Stylus HKMS54P for Midwest® Stylus Prodrive

1.3 - 1.4								
Order code	Bearing	Size d.i./d.e/h(mm)	Cage	Balls	Contact	Abec	Brand	Type
	CU36M	3,175X7,520X2,87	Fenolic	Ceramic	Radial	7	Tecnomed Italia	Groove

RELATED PRODUCTS	
Adapter for spindles	Lubrication
Order code	
CL5.001V	Ivory Silk Oil OL101S



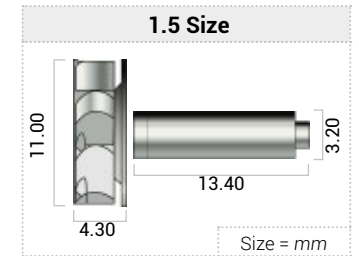
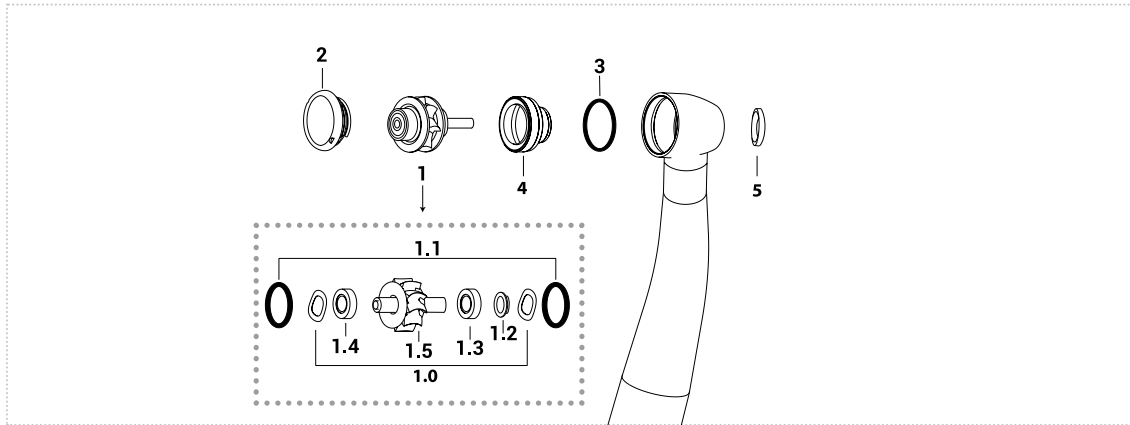
	1	1.1	1.2	1.3	2
	Complete rotor	O-ring	Bearing type (burs side)	Bearing type (push side)	Push button
Order code	MDX200	OR5MW	CU7C	CU7C	NOT AVAILABLE

1.2 - 1.3								
Order code	Bearing	Size d.i./d.e/h(mm)	Cage	Balls	Contact	Abec	Brand	Type
	CU7C	3,175X6,350X2,779	Torlon	Steel	Radial	7	Tecnomed Italia	Flanged

RELATED PRODUCTS	
Adapter for spindles	Lubrication
Order code	
CL5.001V	Ivory Silk Oil OL101S

MK-dent® Prime Line 4 spray standard head (HC8021-HC9021)

**HIGH SPEED
HANDPIECE**



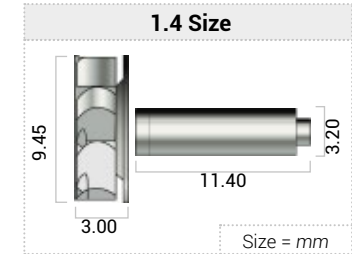
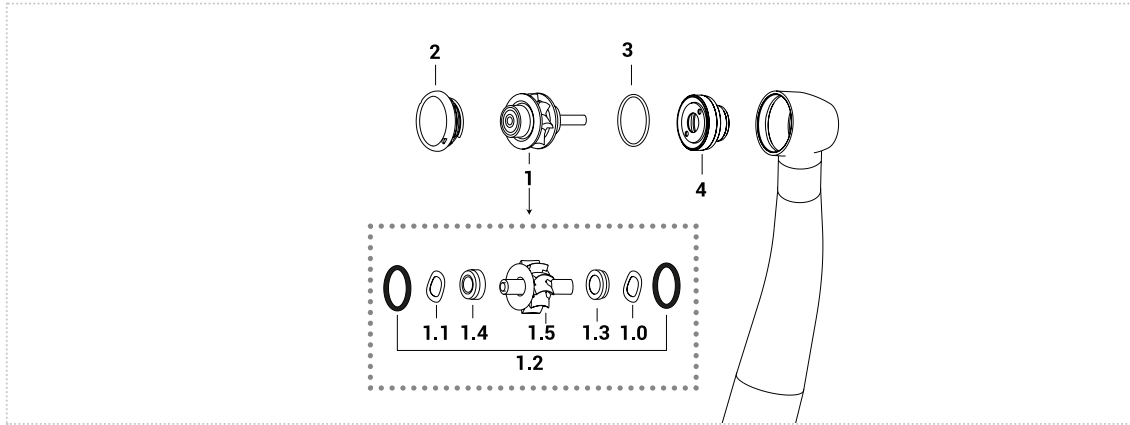
	1	1.0	1.1	1.2	1.3	1.4	1.5	2	3	4	5
	Complete rotor	Spring washer	O-ring kit 10 pcs	Slinger	Bearing type (burs side)	Bearing type (push side)	Rotor without bearings	Push button	O-ring spray big	Spray cover	Spray cover screw
Order code	TS241T	SA300F	OR1K	NOT AVAILABLE	CN01B	CN02A	SC241T	HKV800	OIV613276	NOT AVAILABLE	NOT AVAILABLE
	TC241T				CB11BC	CB22BC					

1.3 - 1.4								
Order code	Bearing	Size d.i/d.e/h(mm)	Cage	Balls	Contact	Abec	Brand	Type
	CN01B	3,175X6,350X2,779	Torlon	Steel	Radial	7	Tecnomed Italia	Smooth
	CB11BC	3,175X6,350X2,779	Fenolic	Ceramic	Radial	7	Myonic	Smooth

	Push button key for 4 slots	Adapter for spindles	Lubrication
Order code	KIV8000K	CL5.001V	LIV1012 Ivory Silk Oil OL101S

MK-dent® Prime Line 3 spray small head (HC8022 - HC9022)

**HIGH SPEED
HANDPIECE**



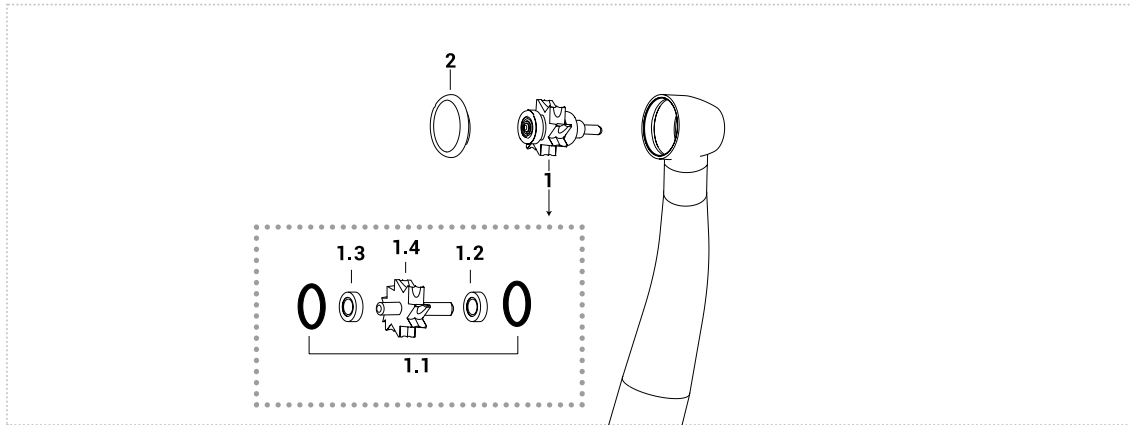
	1	1.0	1.1	1.2	1.3	1.4	1.5	2	3	4
	Complete rotor	Spring washer	Spring washer (push side)	O-ring kit 10 pcs	Bearing type (burs side)	Bearing type (push side)	Rotor without bearings	Push button	O-ring spray	Spray cover
Order code	TS242T	SA300F	SA400K	OR1K	CU60SK	CU60SK	SC242T	NOT AVAILABLE	NOT AVAILABLE	NOT AVAILABLE
	TC242T				CU60CC	CU60CC				

1.3 - 1.4								
	Bearing	Size d.i/d.e/h(mm)	Cage	Balls	Contact	Abec	Brand	Type
Order code	CU60SK	3.175x6.350x2.779/2.380	Torlon	Steel	Radial	7	Tecnomed Italia	Groove
	CU60CC	3,175X6,350X2,380/27793	Torlon	Ceramic	Radial	7	Tecnomed Italia	Groove

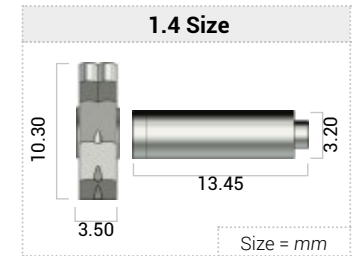
RELATED PRODUCTS			
Push button key	Adapter for spindles	Lubrication	
Order code	KIV1023TM	CL5.001V	LIV1012 Ivory Silk Oil OL101S

MK-dent® 1 spray standard head (HC2011 - HC2012 - HC4011* - HC6011*)

**HIGH SPEED
HANDPIECE**



*up to SN: E



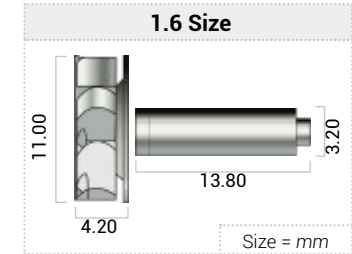
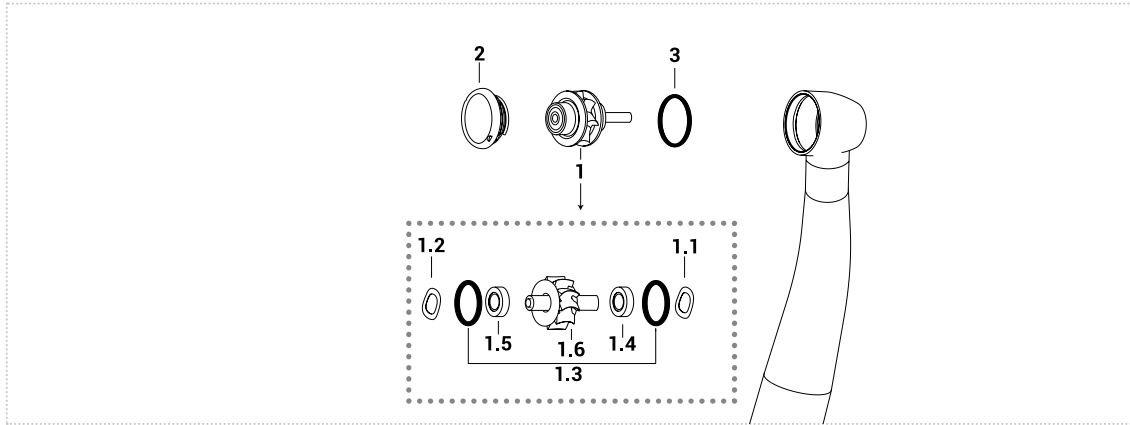
	1	1.1	1.2	1.3	1.4	2
	Complete rotor	O-ring kit 10 pcs	Bearing type (burs side)	Bearing type (push side)	Rotor without bearings	Push button
Order code	TS211T TC211T	OIV1011	CU6K CUC99K	CU6K CUC99K	SC211T	NOT AVAILABLE

1.2 - 1.3								
	Bearing	Size d.i/d.e/h(mm)	Cage	Balls	Contact	Abec	Brand	Type
Order code	CU6K	3,175X6,350X2,779	Torlon	Steel	Radial	7	Tecnomed Italia	Groove
	CUC99K	3,175X6,350X2,779	Fenolic	Ceramic	Radial	7	Myonic	Groove

RELATED PRODUCTS		
Spraycover Key with 2 hole	Adapter for all spindles	Lubrication
Order code	KIV1011K	CL5.001V Ivory Silk Oil OL101S

MK-dent® Classic Line 4 spray standard head (HE17 - HE21K - HE21KL - HB21KL)

**HIGH SPEED
HANDPIECE**



	1	1.1	1.2	1.3	1.4	1.5	1.6	2	3
	Complete rotor	Spring washer (burs side)	Spring washer (push side)	O-ring kit 10 pcs	Bearing type (burs side)	Bearing type (push side)	Rotor without bearings	Push button	O-ring spray big
Order code	TS251T	SA300F	SA400K	OIV1011	CN01B	CU60SK	SC251T	HKV800	OIV613276
	TC251T				CN11BC	CU60CC			

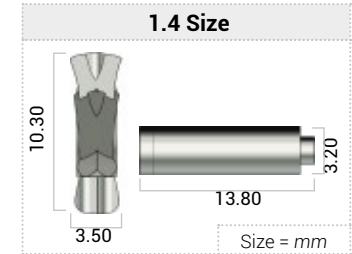
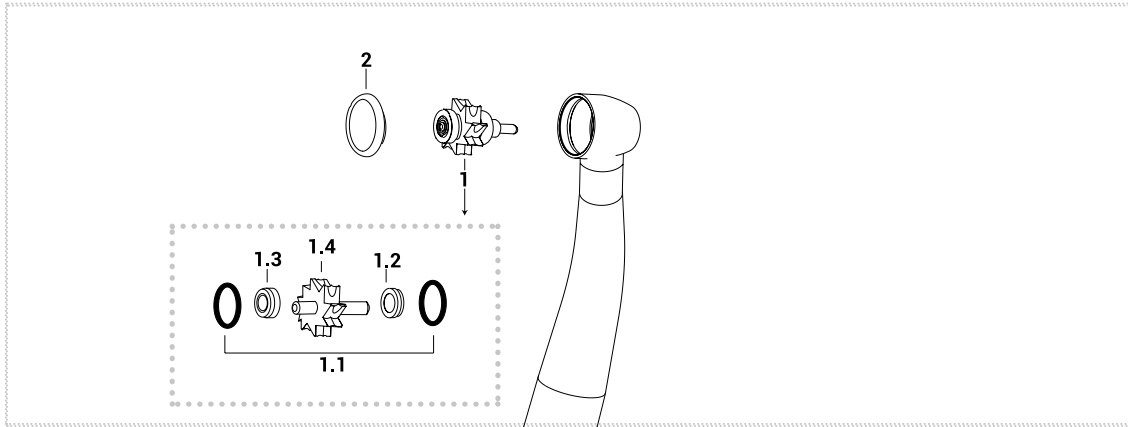
1.4 - 1.5								
Order code	Bearing	Size d.i./d.e/h(mm)	Cage	Balls	Contact	Abec	Brand	Type
	CN01B	3.175x6.350x2.779	Torlon	Steel	Radial	7	Tecnomed Italia	Smooth
	CU60SK	3.175x6.350x2,380/2.779	Torlon	Steel	Radial	7	Tecnomed Italia	Groove
	CN11BC	3,175X6,350X2,779	Torlon	Ceramic	Radial	7	Tecnomed Italia	Smooth
	CU60CC	3.175x6.350x2,380/2.779	Torlon	Ceramic	Radial	7	Tecnomed Italia	Groove







RELATED PRODUCTS			
Push button key for 4 slots	Adapter for spindles	Lubrication	
Order code	KIV8000K	CL5.001V	LIV1012 Ivory Silk Oil OL101S

MK-dent® Classic Line 1 spray mini head (HC4012* - HC6012*)

**HIGH SPEED
HANDPIECE**

*up to SN: E



						
	1	1.0	1.2	1.3	1.4	2
	Complete rotor	O-ring kit 10 pcs	Bearing type (burs side)	Bearing type (push side)	Rotor without bearings	Push button
Order code	TS212T	OIV1011	CU6K	CU6K	SC212T	NOT AVAILABLE
	TC212T		CUC99K	CUC99K		

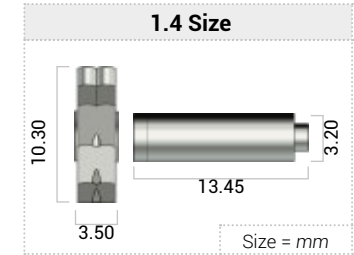
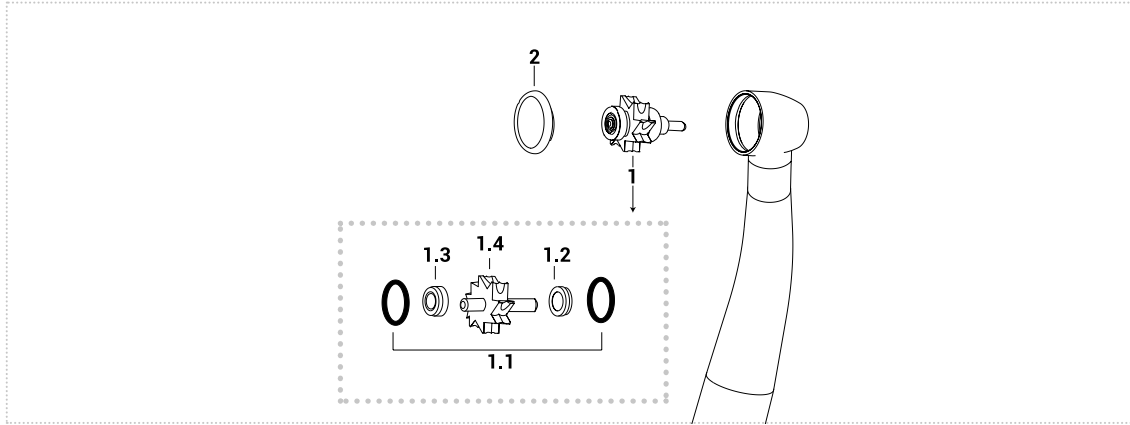
1.2 - 1.3								
Order code	Bearing	Size d.i./d.e/h(mm)	Cage	Balls	Contact	Abec	Brand	Type
	CU6K	3,175X6,350X2,779	Torlon	Steel	Radial	7	Tecnomed Italia	Groove
	CUC99K	3,175X6,350X2,779	Fenolic	Ceramic	Radial	7	Myonic	Groove

RELATED PRODUCTS			
			
Push button key	Adapter for spindles	Lubrication	
Order code	KIV1023TM	CL5.001V	LIV1012 Ivory Silk Oil OL101S

MK-dent® Basic Line 1 spray mini head (HC2013*-HC2014*)

**HIGH SPEED
HANDPIECE**

*up to SN: E



	1	1.1	1.2	1.3	1.4	2
	Complete rotor	O-ring kit 10 pcs	Bearing type (burs side)	Bearing type (push side)	Rotor without bearings	Push button
Order code	TS211T	OIV1011	CU6K	CU6K	SC211T	NOT AVAILABLE
	TC211T		CUC99K	CUC99K		

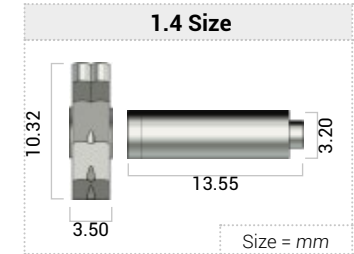
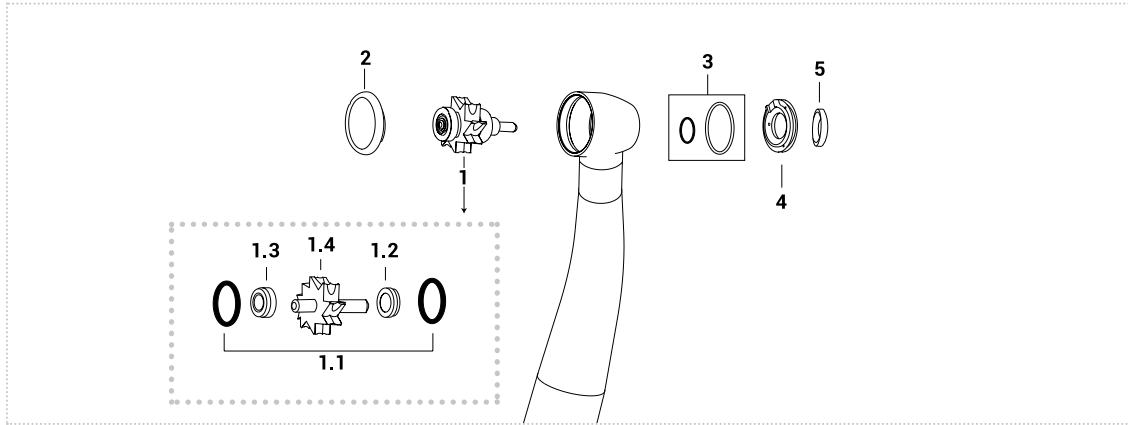
1.2 - 1.3								
	Bearing	Size d.i./d.e/h(mm)	Cage	Balls	Contact	Abec	Brand	Type
Order code	CU6K	3,175X6,350X2,779	Torlon	Steel	Radial	7	Tecnomed Italia	Groove
	CUC99K	3,175X6,350X2,779	Fenolic	Ceramic	Radial	7	Myonic	Groove

	Adapter for all spindles	Lubrication
Order code	CL5.001V	Ivory Silk Oil OL101S

Mk-Dent® 3 spray standard head (HC6021 - HC7021 - HC4021 - HC4011* - HC6011*)

**HIGH SPEED
HANDPIECE**

*up to SN:F



	1	1.1	1.2	1.3	1.4	2	3	4	5
	Complete rotor	O-ring kit 10 pcs	Bearing type (burs side)	Bearing type (push side)	Rotor without bearings	Push button	O-ring spray	Spray cover	Spray cover screw
Order code	HKV850N	ORIK	CU6K	CU6K	SC850N	NOT AVAILABLE	OR650F	OIV441K	OIV430K
	HKV851C		CU6CC	CU6CC					
	HKV850C		CUC99K	CUC99K					
	HKV850T		CUB6B	CUB6B					

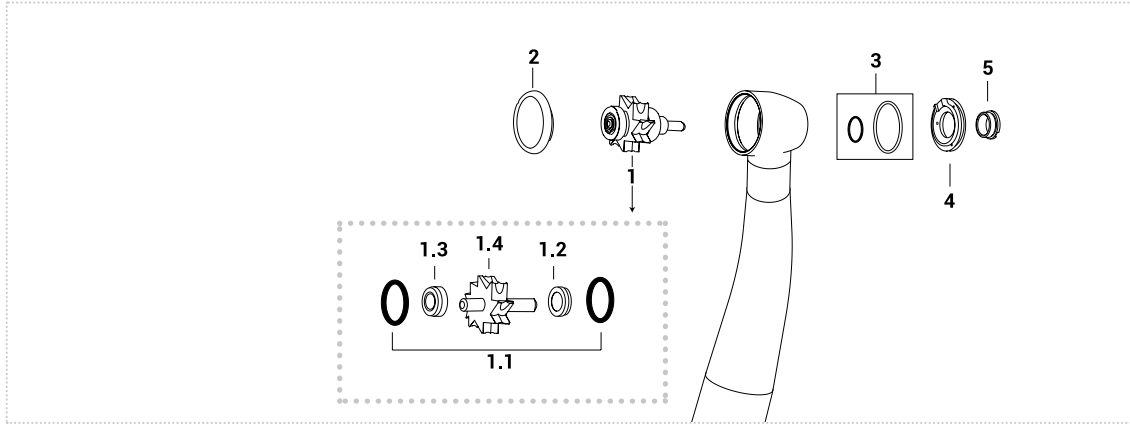
1.2 - 1.3								
Order code	Bearing	Size d.i./d.e/h(mm)	Cage	Balls	Contact	Abec	Brand	Type
	CU6K	3,175X6,350X2,779	Torlon	Steel	Radial	7	Tecnomed Italia	Groove
	CU6CC	3,175X6,350X2,779	Torlon	Ceramic	Radial	7	Tecnomed Italia	Groove
	CUC99K	3,175X6,350X2,779	Fenolic	Ceramic	Radial	7	Myonic	Groove
	CUB6B	3,175X6,350X2,779	Fenolic	Steel	Radial	7	Myonic	Groove

RELATED PRODUCTS					
Spraycover Key	Push button key for 4 slots	Push button Key	Adapter for spindles	Lubrication	
Order code	KIV1022KT	KIV8000K	KE1033	CL5.001V	LIV1012 Ivory Silk Oil OL101S

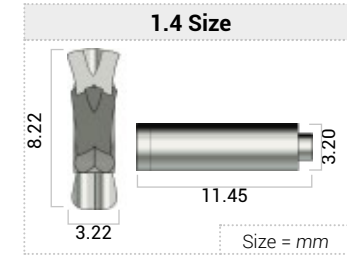
MK-dent® 3 spray small head (HC6022 - HC7022 - HC4022 - HC4012* - HC6012* - HC2013* - HC2014*)

*up to SN:F

**HIGH SPEED
HANDPIECE**



VIDEO TUTORIAL

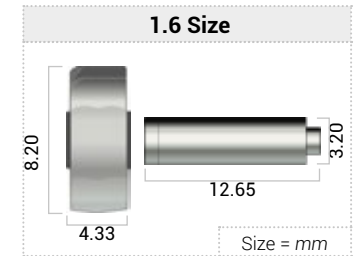
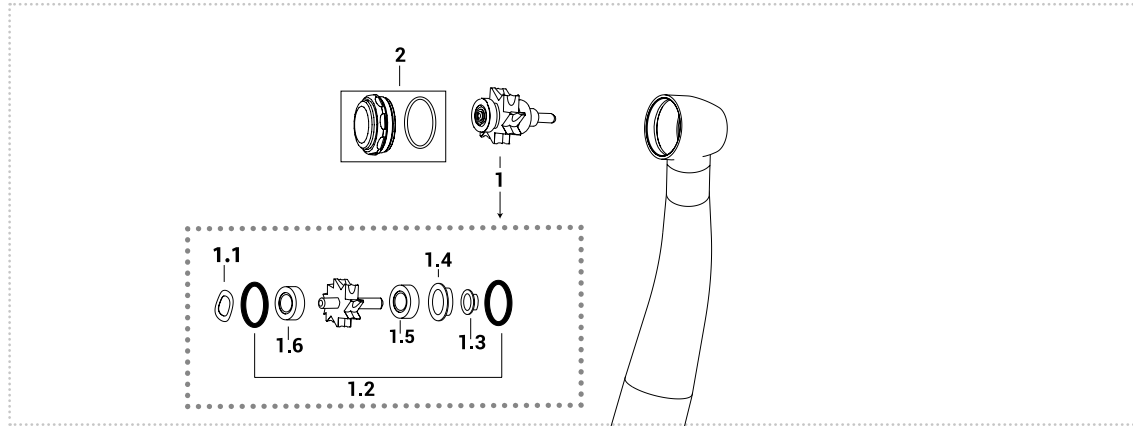


	1	1.1	1.2	1.3	1.4	2	3	4	5
	Complete rotor	O-ring kit 10 pcs	Bearing type (burs side)	Bearing type (push side)	Rotor without bearings	Push button	O-ring spray	Spray cover	Spray cover screw
Order code	HKV850P	OR1K	CU6K	CU6K	SC850P	NOT AVAILABLE	OR650F	OUT OF PRODUCTION	OUT OF PRODUCTION
	HKV852P		CU6CC	CU6CC					
	HKV62CP		CUC99K	CUC99K					
	HKV62TK		CUB6B	CUB6B					

1.2 - 1.3								
	Bearing	Size d.i/d.e/h(mm)	Cage	Balls	Contact	Abec	Brand	Type
Order code	CU6K	3,175X6,350X2,779	Torlon	Steel	Radial	7	Tecnomed Italia	Groove
	CU6CC	3,175X6,350X2,779	Torlon	Ceramic	Radial	7	Tecnomed Italia	Groove
	CUC99K	3,175X6,350X2,779	Fenolic	Ceramic	Radial	7	Myonic	Groove
	CUB6B	3,175X6,350X2,779	Fenolic	Steel	Radial	7	Myonic	Groove

RELATED PRODUCTS

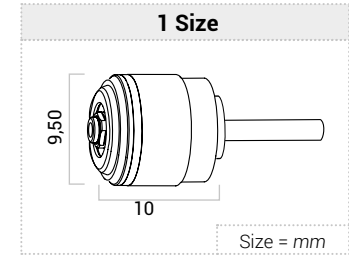
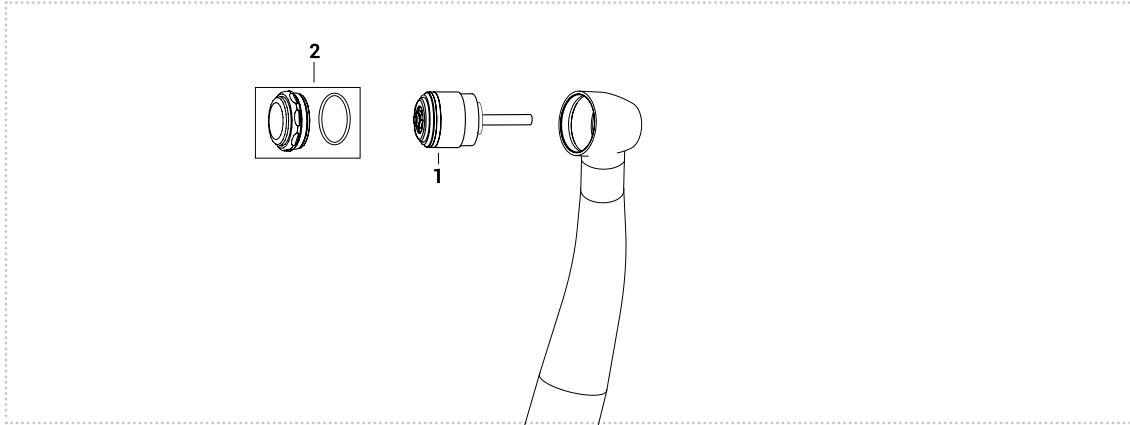
	Spraycover Key	Push button Key	Adapter for spindles	Lubrication
Order code	KIV1022KT	KE1033	CL5.001V	LIV1012 Ivory Silk Oil OL101S





	1	1.1	1.2	1.3	1.4	1.5	1.6	2
	Complete rotor	Spring washer	O-ring kit 10 pcs	Slinger	Bearing bush	Bearing type (burs side)	Bearing type (push side)	Push button
Order code	HNK0772	SA300F	OR1K	NOT AVAILABLE	NOT AVAILABLE	CN02A CB22BC	CN02A CB22BC	PIVS04PX

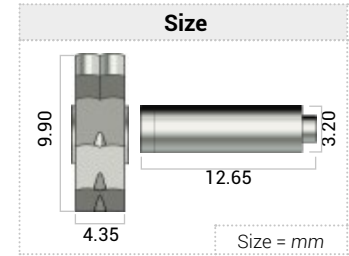
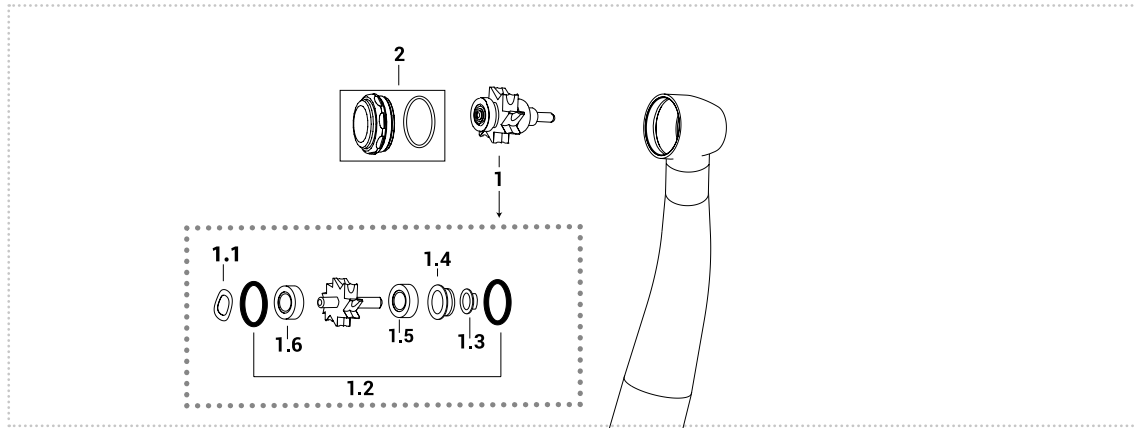
1.5 - 1.6								
	Bearing	Size d.i./d.e/h(mm)	Cage	Balls	Contact	Abec	Brand	Type
Order code	CN02A	3,175X6,350X2,380	Torlon	Steel	Radial	7	Tecnomed Italia	Smooth
	CB22BC	3.175X6.350X2.380	Fenolic	Ceramic	Radial	9	Myonic	Smooth

RELATED PRODUCTS			
Push button key & Head expanding	Adapter for spindles	Lubrication	
Order code	RT032M	CL5.001V	LIV1020 Ivory Silk Oil OL101S



		
	1	2
	Complete rotor	Push button
Order code	HNK1190	PIV204PX

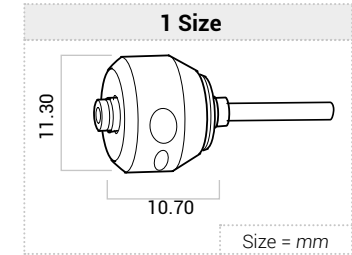
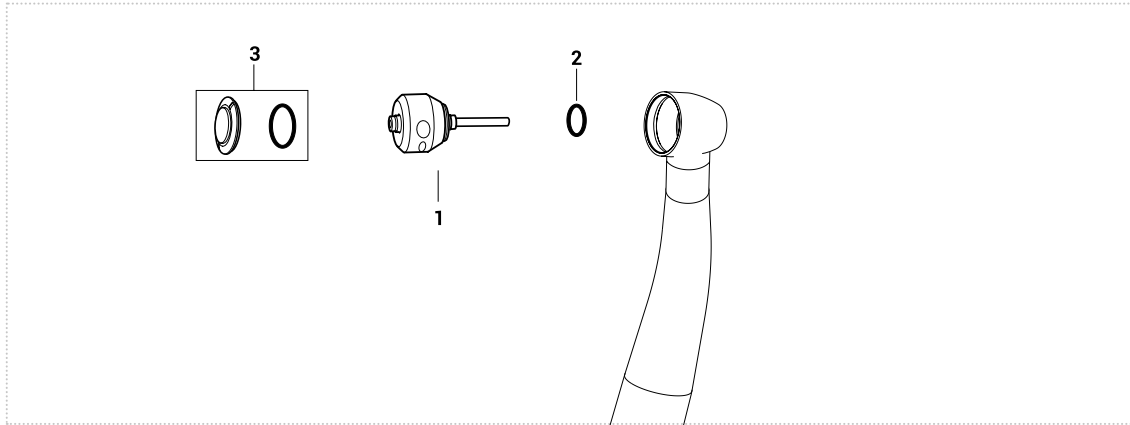
RELATED PRODUCTS			
			
Push button key	Adapter for spindles	Lubrication	
Order code	KIV1049N	CL5.001V	LIV1020 Ivory Silk Oil OL101S






	1	1.1	1.2	1.3	1.4	1.5	1.6	2
	Complete rotor	Spring washer	O-ring kit 10 pcs	Slinger	Bearing bush	Bearing type (burs side)	Bearing type (push side)	Push button
Order code	HNK0773	SA300F	OR1K	NOT AVAILABLE	NOT AVAILABLE	CN02A CB22BC	CN02A CB22BC	PIVT04PX

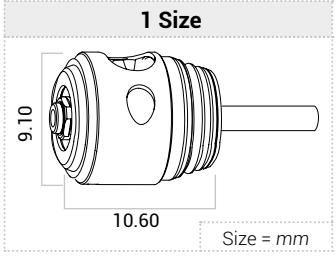
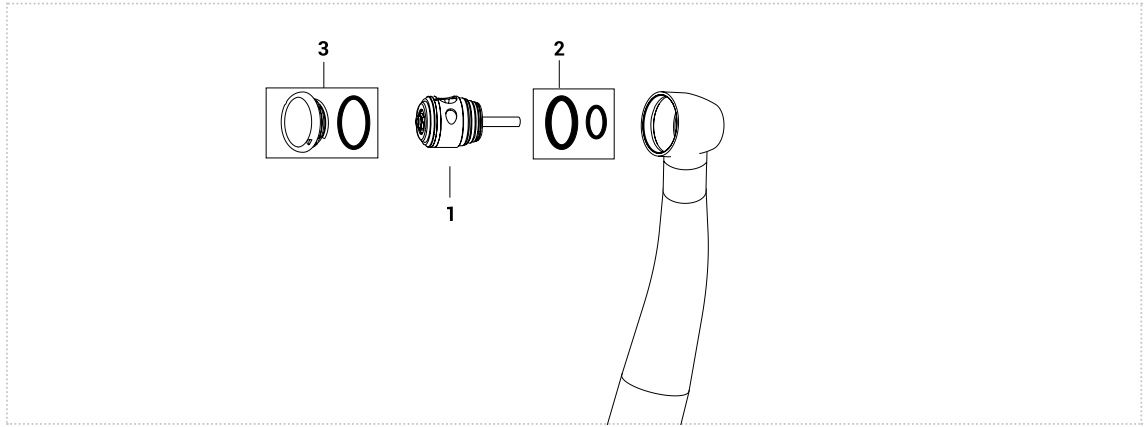
1.5 - 1.6								
	Bearing	Size d.i./d.e/h(mm)	Cage	Balls	Contact	Abec	Brand	Type
Order code	CN02A	3,175X6,350X2,380	Torlon	Steel	Radial	7	Tecnomed Italia	Smooth
	CB22BC	3.175X6.350X2.380	Fenolic	Ceramic	Radial	9	Myonic	Smooth



RELATED PRODUCTS			
Push button & expander key	Adapter for spindles	Lubrication	
Order code	RT035M	CL5.001V	LIV1020 Ivory Silk Oil OL101S



			
	1	2	3
	Complete rotor	O-ring rotor	Push button
Order code	HNK935T	AVAILABLE ON REQUEST	AVAILABLE ON REQUEST

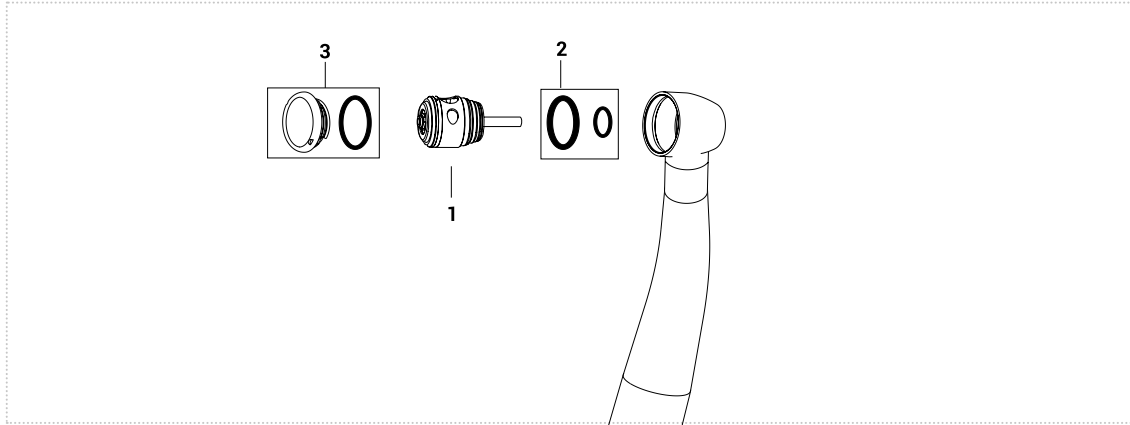
RELATED PRODUCTS		
		
Adapter for spindles	Lubrication	
Order code	CL5.001V	Ivory Silk Oil OL101S



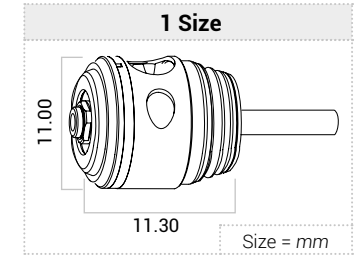
			
	1	2	3
	Complete rotor	O-ring spray big	Push button
Order code	HNK905	AVAILABLE ON REQUEST	PIV500NM

RELATED PRODUCTS

				
	Push button key & Head expanding	Adapter for spindles	Lubrication	
Order code	RT030M	CL5.001V	LIV1020	Ivory Silk Oil OL101S

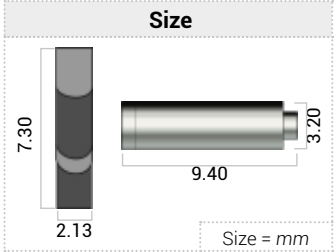
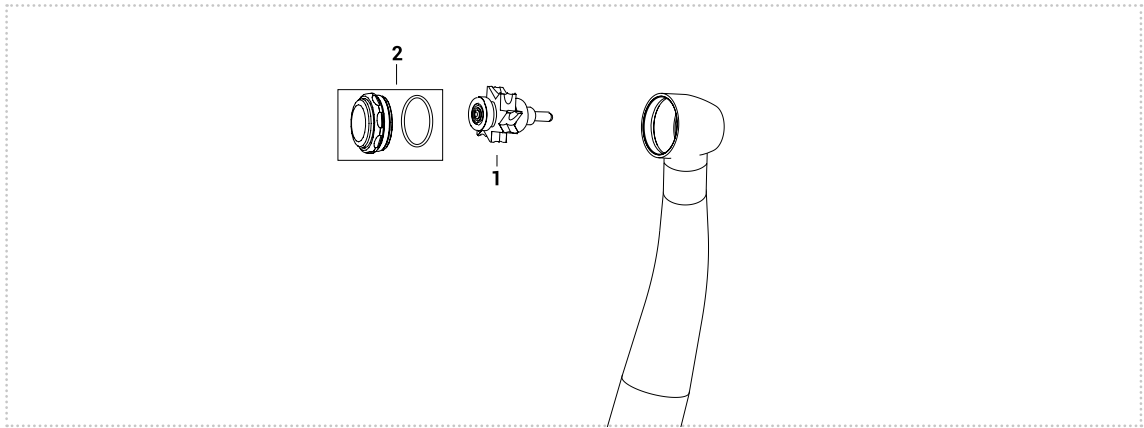




VIDEO TUTORIAL




			
	1	2	3
	Complete rotor	O-ring spray big	Push button
Order code	HNK916	AVAILABLE ON REQUEST	PIV600NK

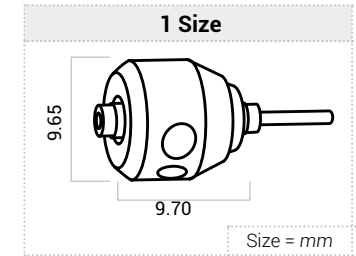
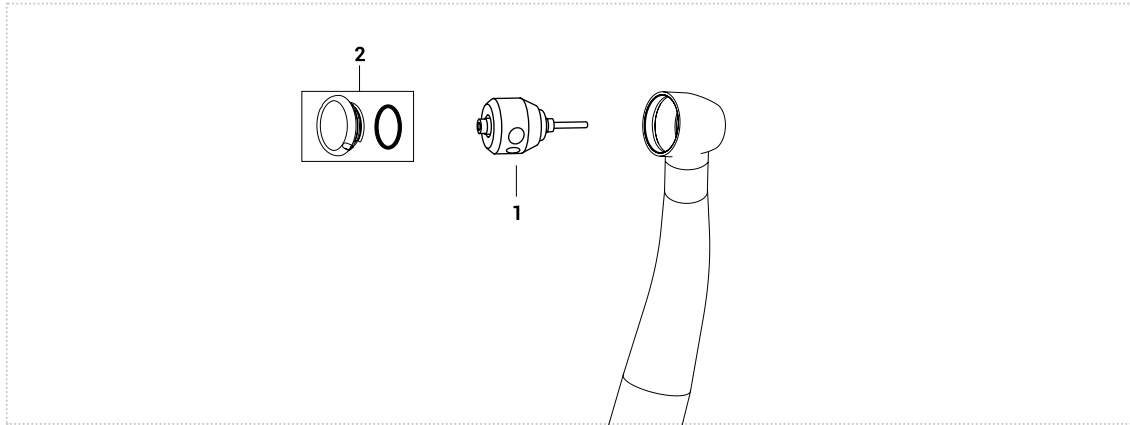
RELATED PRODUCTS			
			
Push button key & Head expanding	Adapter for spindles	Lubrication	
Order code	RT029M	CL5.001V	LIV1020 Ivory Silk Oil OL101S





		
	1	2
	Complete rotor	Push button
Order code	HNK1402	PIV1402

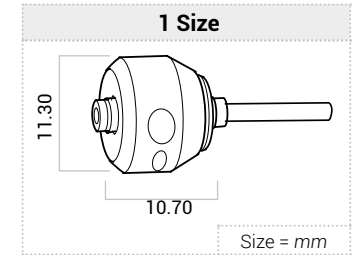
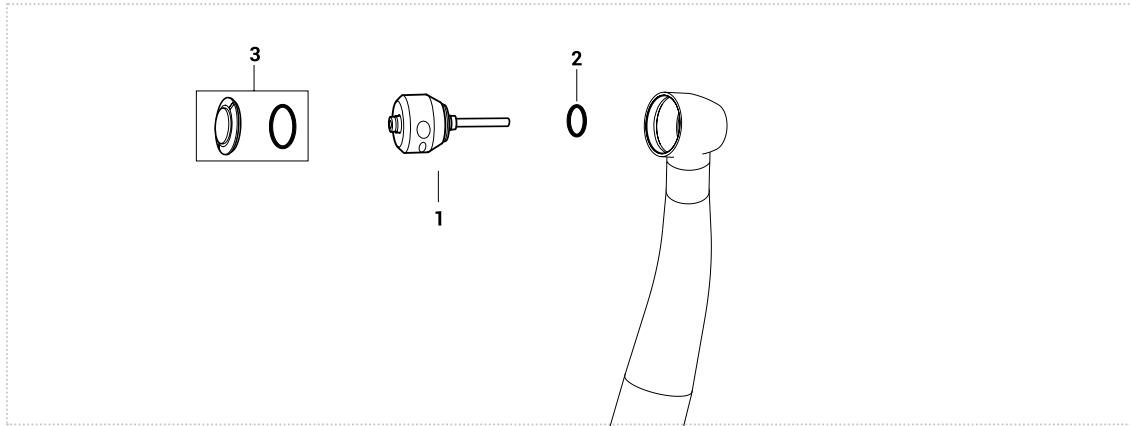
RELATED PRODUCTS




				
	Push button key	Adapter for spindles	Lubrication	
Order code	KIV1060N	CL5.001V	LIV1020	Ivory Silk Oil OL101S



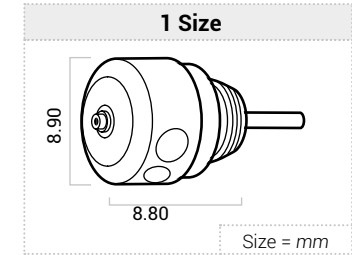
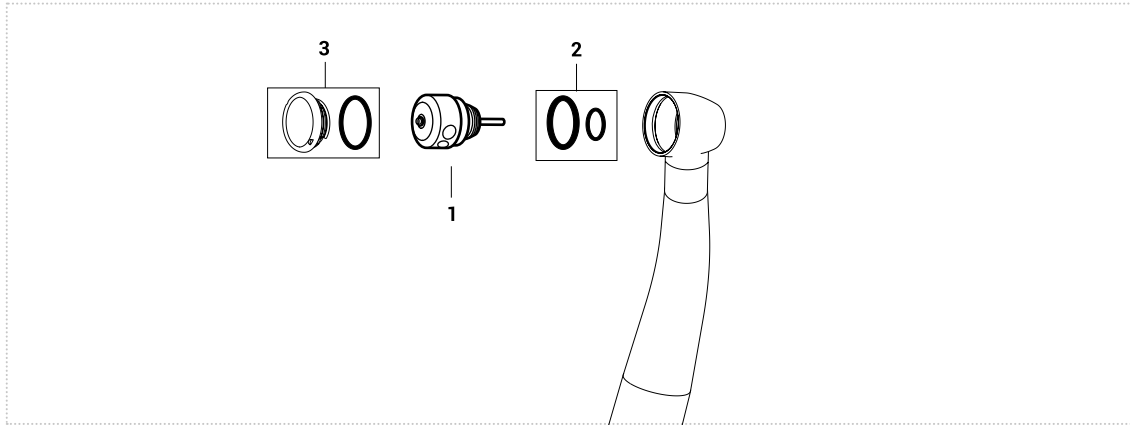
		
	1	2
	Complete rotor	Push button
Order code	HNK4101	PIV300ML




RELATED PRODUCTS		
		
Adapter for spindles	Lubrication	
Order code	CL5.001V	Ivory Silk Oil OL101S



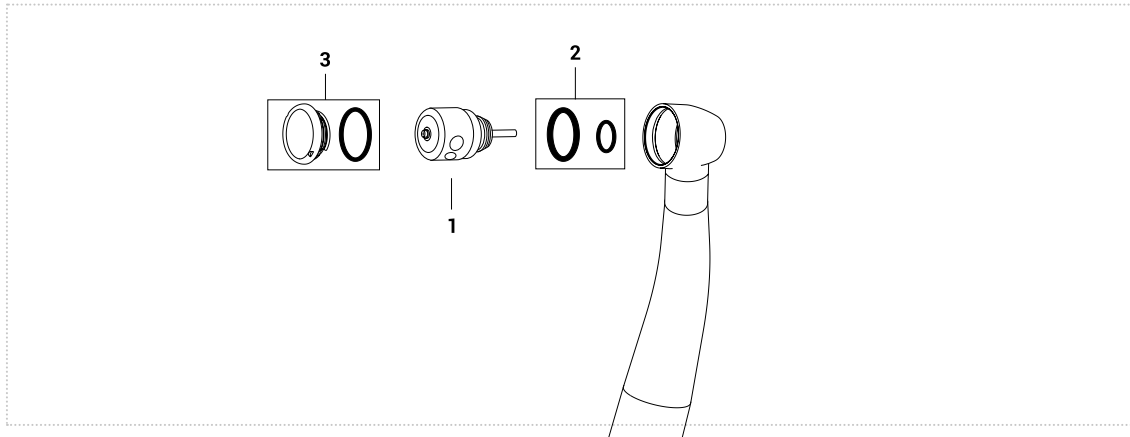
			
	1	2	3
	Complete rotor	O-ring rotor	Push button
Order code	HNK935T	AVAILABLE ON REQUEST	PIV400ML

RELATED PRODUCTS			
			
Push button key & Head expanding	Adapter for spindles	Lubrication	
Order code	KIV1050N	CL5.001V	LIV1020 Ivory Silk Oil OL101S

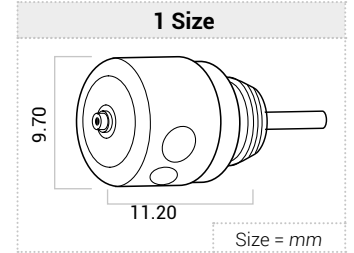



			
	1	2	3
	Complete rotor	O-ring spray big	Push button
Order code	HNK901	AVAILABLE ON REQUEST	PIV500TMA

RELATED PRODUCTS			
			
Push button key	Adapter for spindles	Lubrication	
Order code	KIV1023TM	CL5.001V	LIV1020 Ivory Silk Oil OL101S

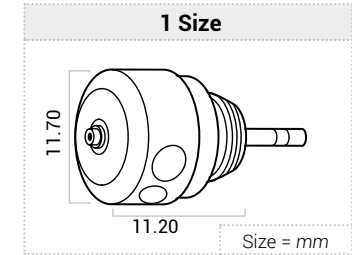
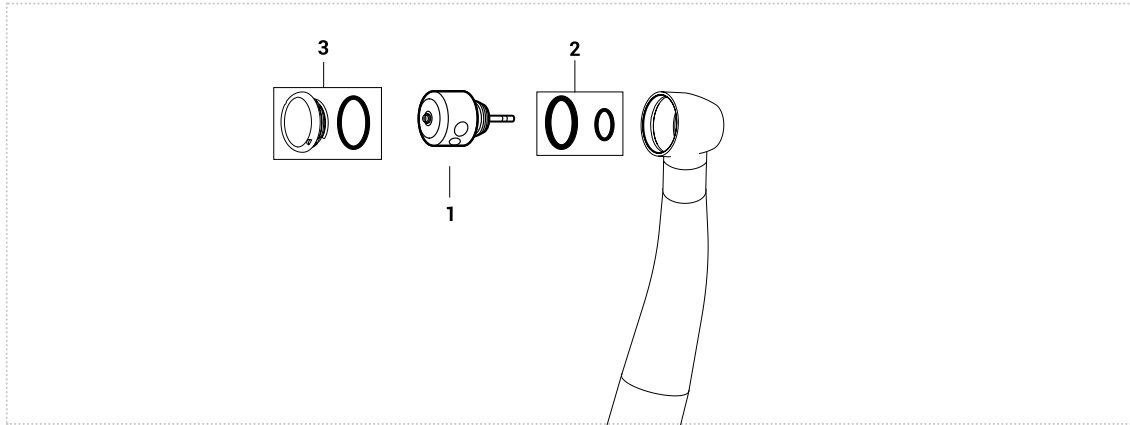


VIDEO TUTORIAL



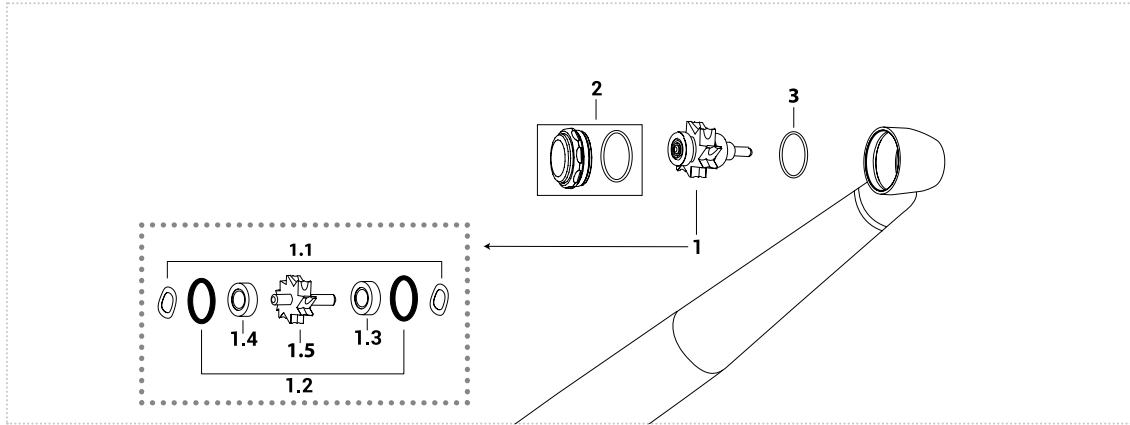
			
	1	2	3
	Complete rotor	O-ring spray big	Push button
Order code	HNK913	AVAILABLE ON REQUEST	PIV600NA

RELATED PRODUCTS			
			
Push button key	Adapter for spindles	Lubrication	
Order code	KIV1023TM	CL5.001V	LIV1020 Ivory Silk Oil OL101S

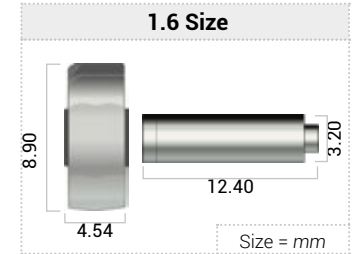


			
	1	2	3
	Complete rotor	O-ring spray big	Push button
Order code	HNK924	AVAILABLE ON REQUEST	AVAILABLE ON REQUEST

RELATED PRODUCTS			
			
Push button key	Adapter for spindles	Lubrication	
Order code	KIV1023TM	CL5.001V	LIV1020 Ivory Silk Oil OL101S



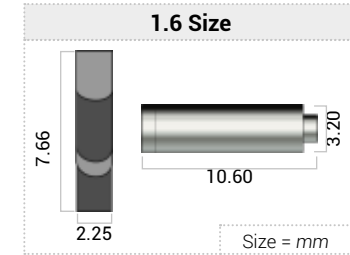
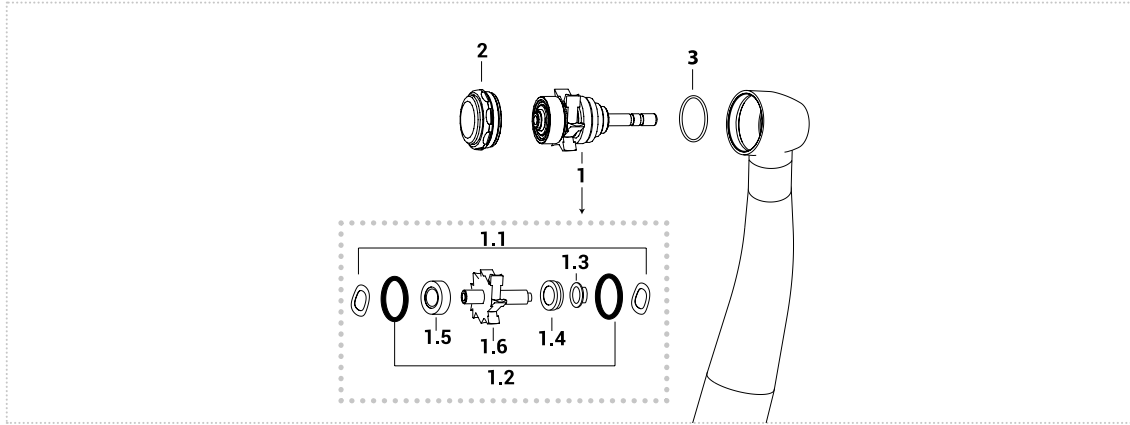
TiX-SU03



	1	1.1	1.2	1.3	1.4	1.6	2	3
	Complete rotor	Spring washer	O-ring kit 10 pcs	Bearing type (burs side)	Bearing type (push side)	Rotor without bearings	Push button	O-ring spray
Order code	HNK600	SA300F	OR1K	CN02A	CN02A	SCX60	PIV450XN	AVAILABLE ON REQUEST
	HNK600C			CB22BC	CB22BC			

1.3 - 1.4								
Order code	Bearing	Size d.i/d.e/h(mm)	Cage	Balls	Contact	Abec	Brand	Type
	CN02A	3,175X6,350X2,380	Torlon	Steel	Radial	7	Tecnomed Italia	Smooth
	CB22BC	3.175X6.350X2.380	Fenolic	Ceramic	Radial	7	Myonic	Smooth

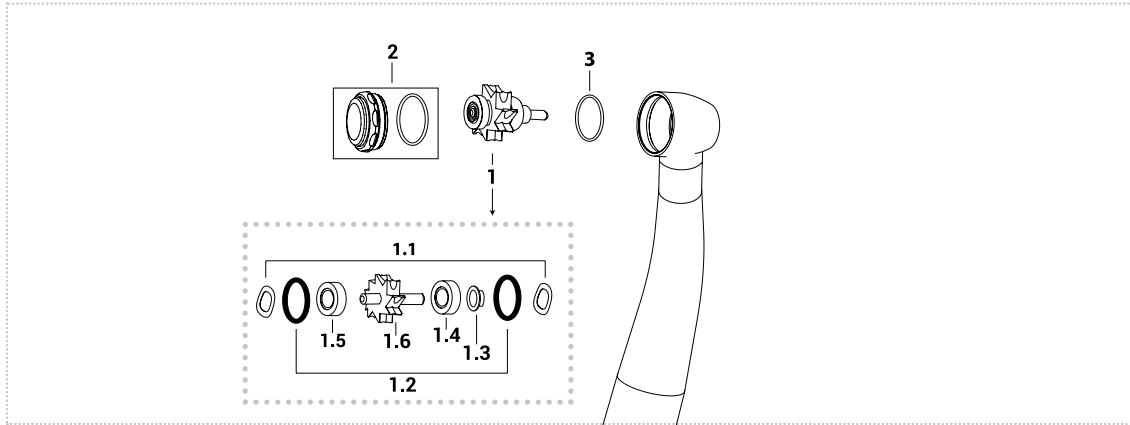
RELATED PRODUCTS			
Push button key & Head expanding	Adapter for spindles	Lubrication	
Order code	KIV1050N	CL5.001V	LIV1020 Ivory Silk Oil OL101S



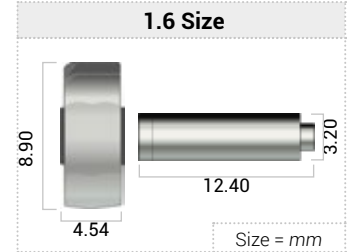
	1	1.1	1.2	1.3	1.4	1.5	1.6	2	3
	Complete rotor	Spring washer	O-ring kit 10 pcs	Slinger	Bearing type (burs side)	Bearing type (push side)	Rotor without bearings	Push button	O-ring spray
Order code	HNK500	SA300F	OR1K	NOT AVAILABLE	CU61S	CN02A	SCX50	PIV500NX	AVAILABLE ON REQUEST

1.4 - 1.5								
	Bearing	Size d.i/d.e/h(mm)	Cage	Balls	Contact	Abec	Brand	Type
Order code	CU61S	3.175X6.350X2.380	Torlon	Steel	Radial	7	Tecnomed Italia	Groove
	CN02A	3.175X6.350X2.380	Torlon	Steel	Radial	7	Tecnomed Italia	Smooth

RELATED PRODUCTS			
Push button key	Adapter for spindles	Lubrication	
Order code	RT032M	CL5.001V	LIV1020 Ivory Silk Oil OL101S



VIDEO TUTORIAL

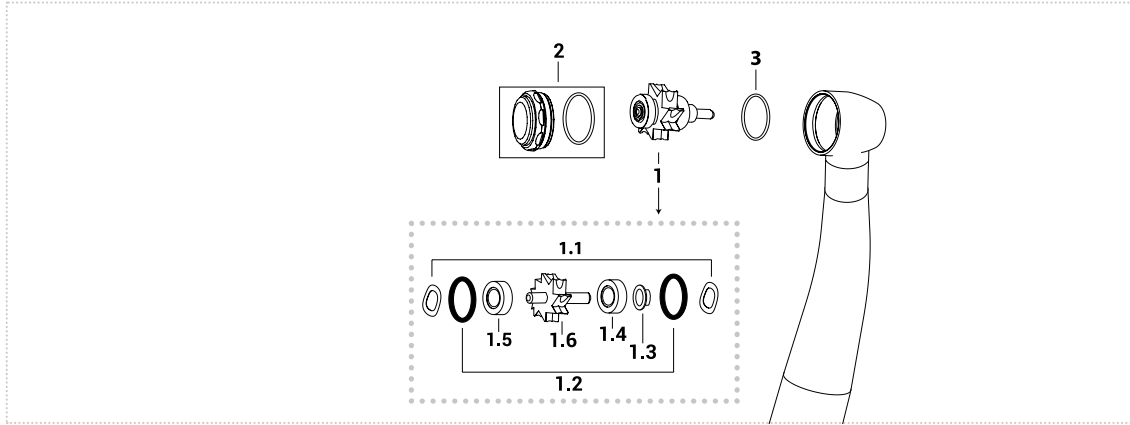


	1	1.1	1.2	1.3	1.4	1.5	1.6	2	3
	Complete rotor	Spring washer	O-ring kit 10 pcs	Slinger	Bearing type (burs side)	Bearing type (push side)	Rotor without bearings	Push button	O-ring spray
Order code	HNK600 HNK600C	SA300F	OR1K	NOT AVAILABLE	CN02A CB22BC	CN02A CB22BC	SCX60	PIV600NX	AVAILABLE ON REQUEST

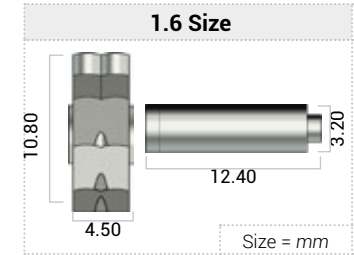
1.4 - 1.5								
	Bearing	Size d.i/d.e/h(mm)	Cage	Balls	Contact	Abec	Brand	Type
Order code	CN02A	3,175X6,350X2,380	Torlon	Steel	Radial	7	Tecnomed Italia	Smooth
	CB22BC	3.175X6.350X2.380	Fenolic	Ceramic	Radial	7	Myonic	Smooth

RELATED PRODUCTS

Push button key & Head expanding	Adapter for spindles	Lubrication	
Order code	RT031M	CL5.001V	LIV1020 Ivory Silk Oil OL101S



VIDEO TUTORIAL

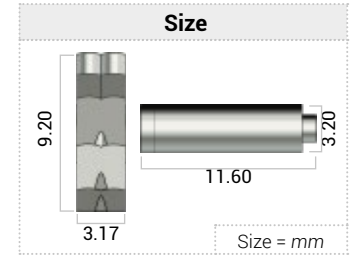
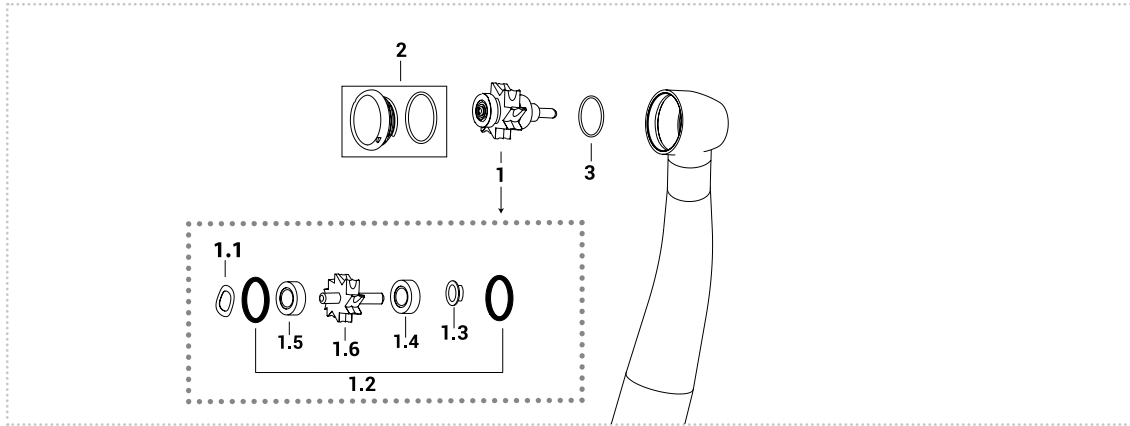


	1	1.1	1.2	1.3	1.4	1.5	1.6	2	3
	Complete rotor	Spring washer	O-ring kit 10 pcs	Slinger	Bearing type (burs side)	Bearing type (push side)	Rotor without bearings	Push button	O-ring spray
Order code	HKN700	SA300F	OR1K	NOT AVAILABLE	CN02A	CN02A	SCX70	PIV700NX	AVAILABLE ON REQUEST
	HKN700C				CB22BC	CB22BC			

1.4 - 1.5								
Order code	Bearing	Size d.i/d.e/h(mm)	Cage	Balls	Contact	Abec	Brand	Type
	CN02A	3,175X6,350X2,380	Torlon	Steel	Radial	7	Tecnomed Italia	Smooth
	CB22BC	3.175X6.350X2.380	Fenolic	Ceramic	Radial	7	Myonic	Smooth

RELATED PRODUCTS

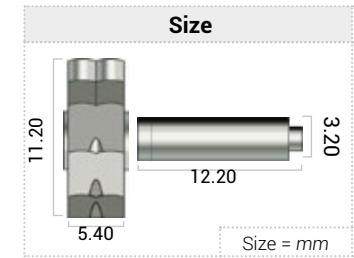
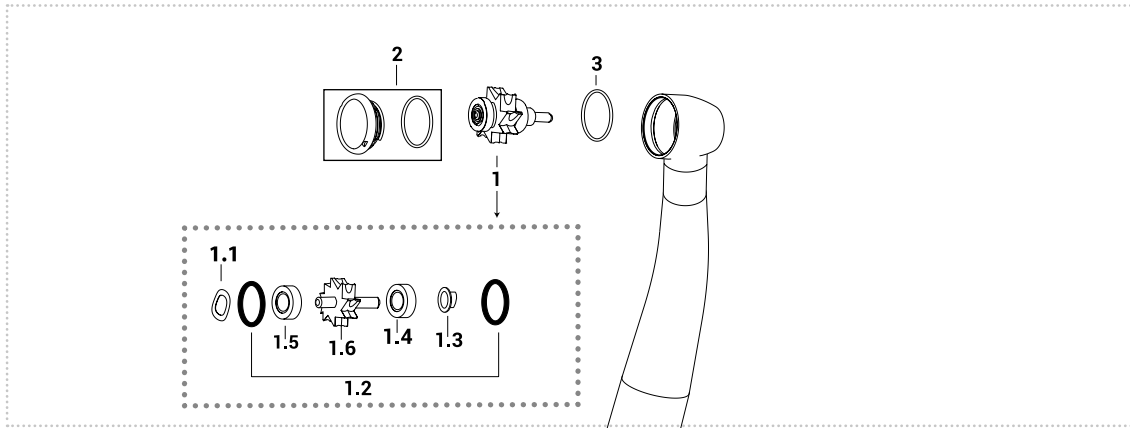
Push button key	Adapter for spindles	Lubrication	
Order code	KIV1047N	CL5.001V	LIV1020 Ivory Silk Oil OL101S



	1	1.1	1.2	1.3	1.4	1.5	1.6	2	3
	Complete rotor	Spring washer	O-ring kit 10 pcs	Slinger	Bearing type (burs side)	Bearing type (push side)	Rotor without bearings	Push button	O-ring spray
Order code	HNK2075	SA300F	OR1K	NOT AVAILABLE	CU13AN	CN02A CB22BC	SC2077	PIV800ZN	AVAILABLE ON REQUEST

1.4 - 1.5								
Order code	Bearing	Size d.i/d.e/h(mm)	Cage	Balls	Contact	Abec	Brand	Type
	CN02A	3,175X6,350X2,380	Torlon	Steel	Radial	7	Tecnomed Italia	Smooth
	CB22BC	3.175X6.350X2.380	Fenolic	Ceramic	Radial	9	Myonic	Smooth
	CU13AN	2.380X3.175X6.350	Torlon	Steel	Radial	7	Tecnomed Italia	Flanged

RELATED PRODUCTS			
Push button & expander key	Adapter for spindles	Lubrication	
Order code	RT034M	CL5.001V	LIV1020 Ivory Silk Oil OL101S



	1	1.1	1.2	1.3	1.4	1.5	1.6	2	3
	Complete rotor	Spring washer	O-ring kit 10 pcs	Slinger	Bearing type (burs side)	Bearing type (push side)	Rotor without bearings	Push button	O-ring spray
Order code	HNK2076	SA300F	OR1K	NOT AVAILABLE	CU13AN	CN02A CB22BC	SC2076	PIV900ZN	AVAILABLE ON REQUEST

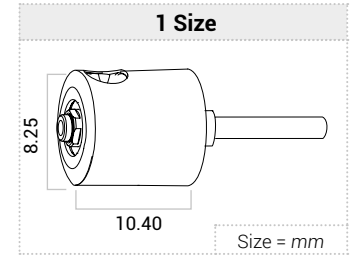
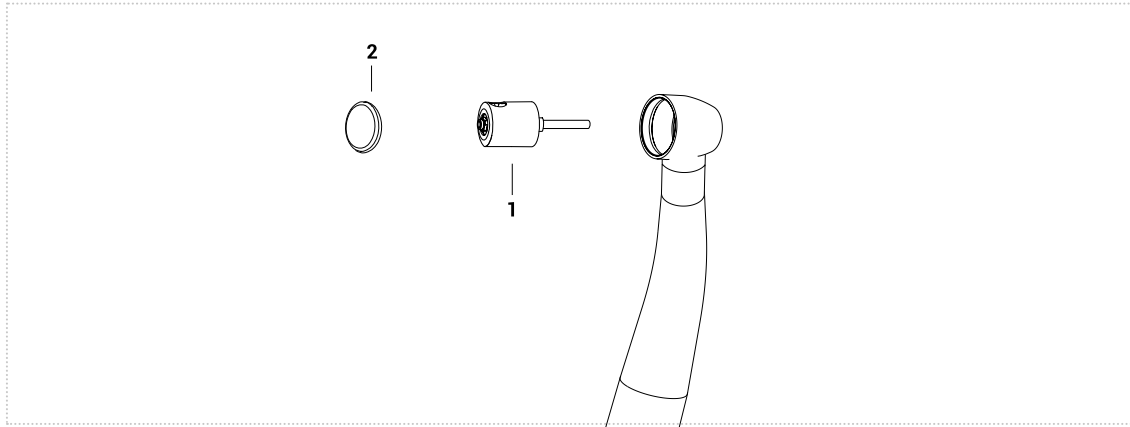
1.4 - 1.5								
Order code	Bearing	Size d.i/d.e/h(mm)	Cage	Balls	Contact	Abec	Brand	Type
	CN02A	3,175X6,350X2,380	Torlon	Steel	Radial	7	Tecnomed Italia	Smooth
	CB22BC	3.175X6.350X2.380	Fenolic	Ceramic	Radial	9	Myonic	Smooth
	CU13AN	2.380X3.175X6.350	Torlon	Steel	Radial	7	Tecnomed Italia	Flanged

RELATED PRODUCTS			
Order code	RT035M	CL5.001V	LIV1020 Ivory Silk Oil OL101S

NSK® Ti-Max Pana Air Standard a chiavetta

NPA-S03

**HIGH SPEED
HANDPIECE**



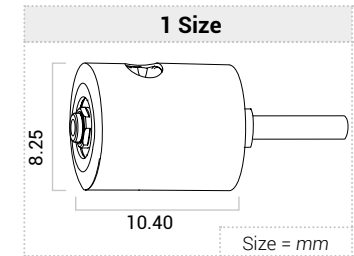
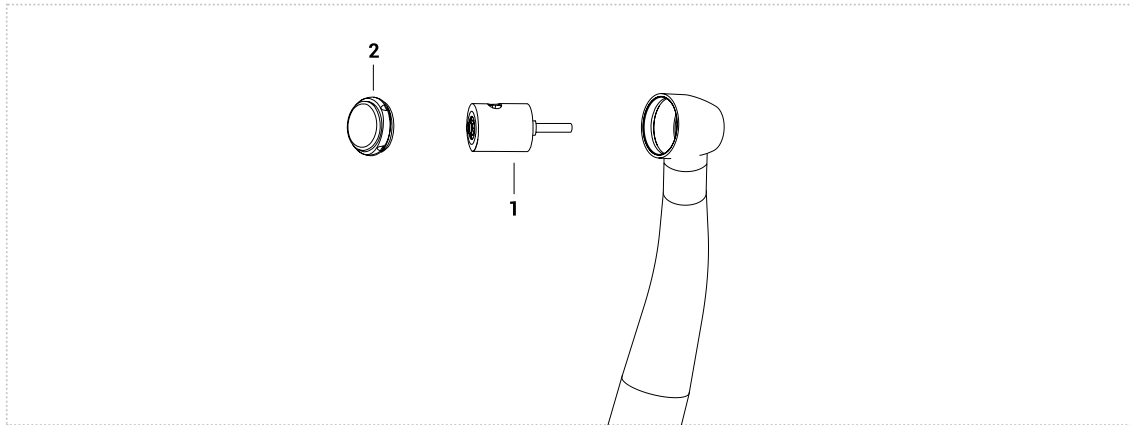
		
	1	2
	Complete rotor	Cover
Order code	HNK91F	HCP118.1



RELATED PRODUCTS		
		
Rotor Key	Adapter for all spindles	Lubrication
Order code	KIV1028N	CL5.001V Ivory Silk Oil OL101S

NSK® Ti-Max Pana Air Standard a push

NPA-SU03

**HIGH SPEED
HANDPIECE**



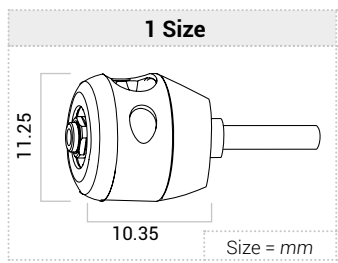
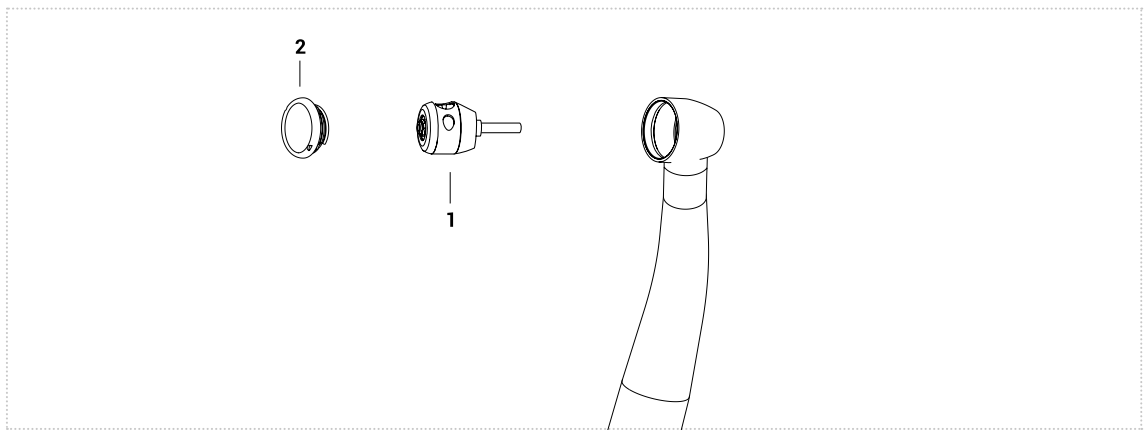
		
	1	2
	Complete rotor	Push button
Order code	HNK90P	AVAILABLE ON REQUEST



RELATED PRODUCTS	
	
Adapter for all spindles	Lubrication
Order code	CL5.001V Ivory Silk Oil OL101S

NSK® Ti-Max Pana Air Torque

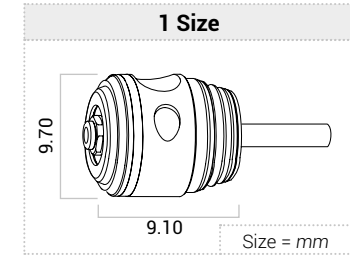
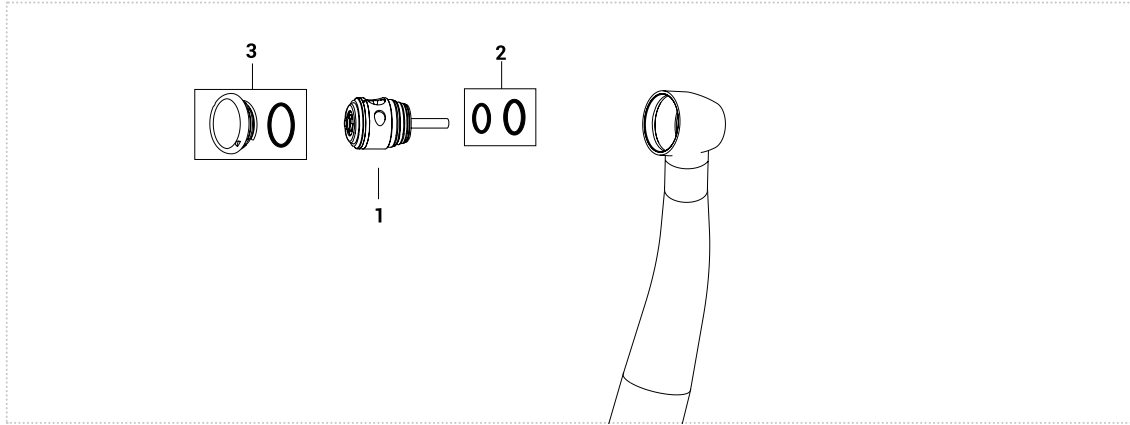
NPA-TU03

**HIGH SPEED
HANDPIECE**



		
	1	2
	Complete rotor	Push button
Order code	HNK85T	PIV85PAT

RELATED PRODUCTS	
	
Adapter for all spindles	Lubrication
Order code	CL5.001V Ivory Silk Oil OL101S



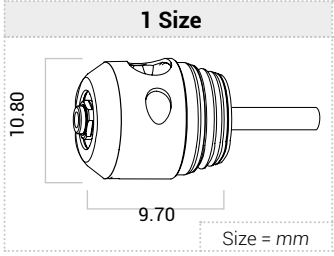
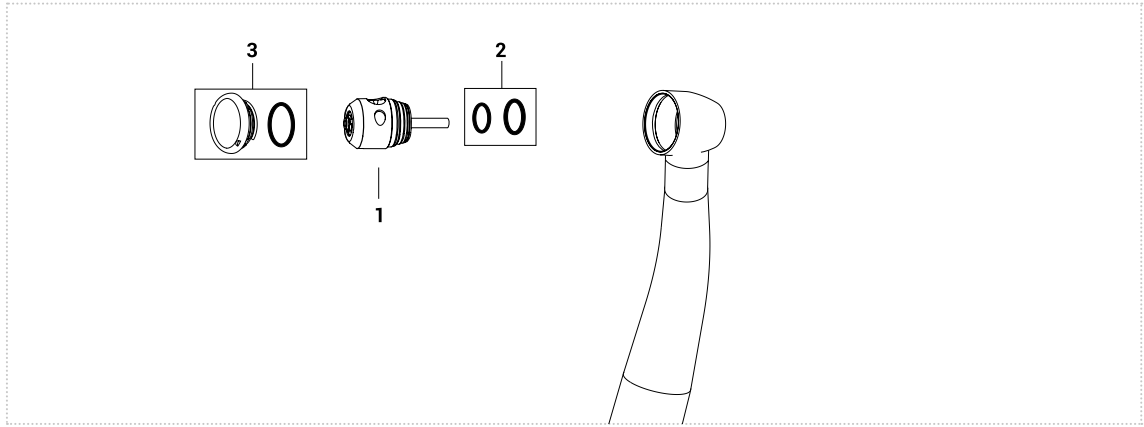
			
	1	2	3
	Complete rotor	O-ring spray big	Push button
Order code	HNK896	AVAILABLE ON REQUEST	AVAILABLE ON REQUEST

RELATED PRODUCTS			
			
Push button key	Adapter for spindles	Lubrication	
Order code	KIV2050S	LIV1020	Ivory Silk Oil OL101S

NSK® Ti-Max Phatelus Mach-Lite 2S-A300

NMC-SU03

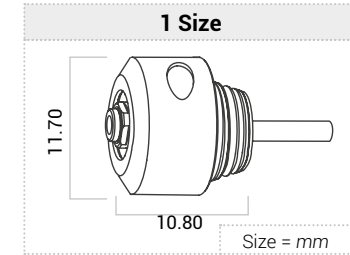
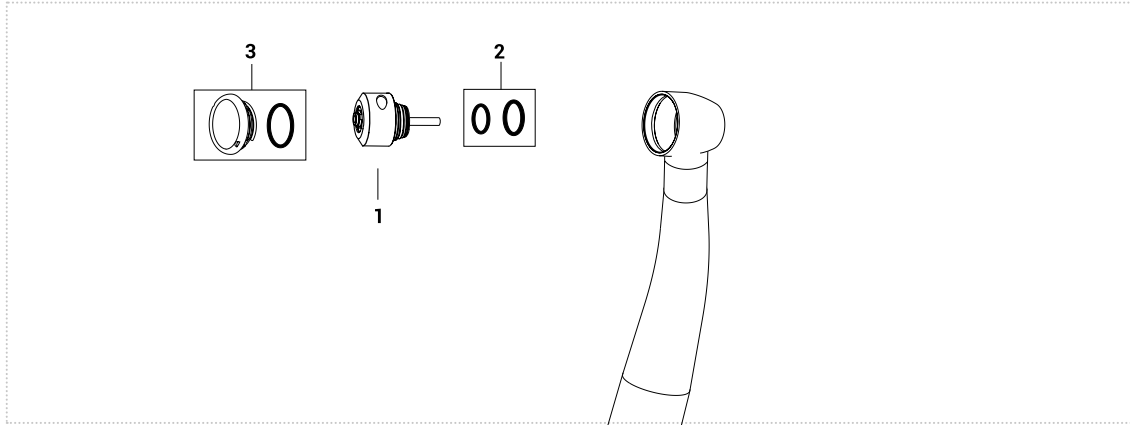
**HIGH SPEED
HANDPIECE**







	1	2	3
	Complete rotor	O-ring spray big	Push button
Order code	HNK897	AVAILABLE ON REQUEST	PIV300ML

RELATED PRODUCTS

			
Push button key Adapter for spindles		Lubrication	
Order code	KIV2050S	CL5.001V	LIV1020 Ivory Silk Oil OL101S

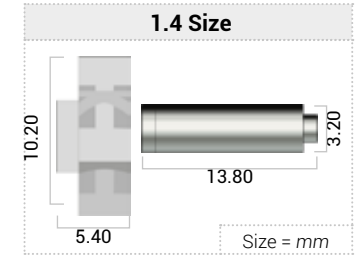
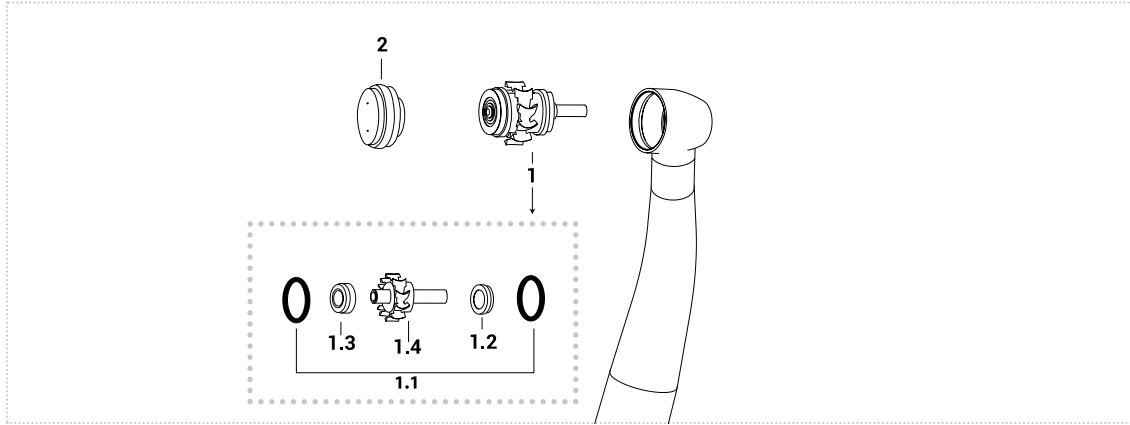








			
	1	2	3
	Complete rotor	O-ring spray big	Push button
Order code	HNK898	AVAILABLE ON REQUEST	PIV400ML

RELATED PRODUCTS			
			
Push button key	Adapter for spindles	Lubrication	
Order code	KIV2050S	CL5.001V	LIV1020 Ivory Silk Oil OL101S


Sirona® TS1 - TS2 - 4000S

**HIGH SPEED
HANDPIECE**



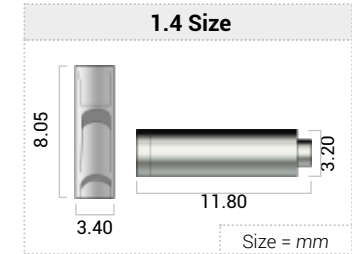
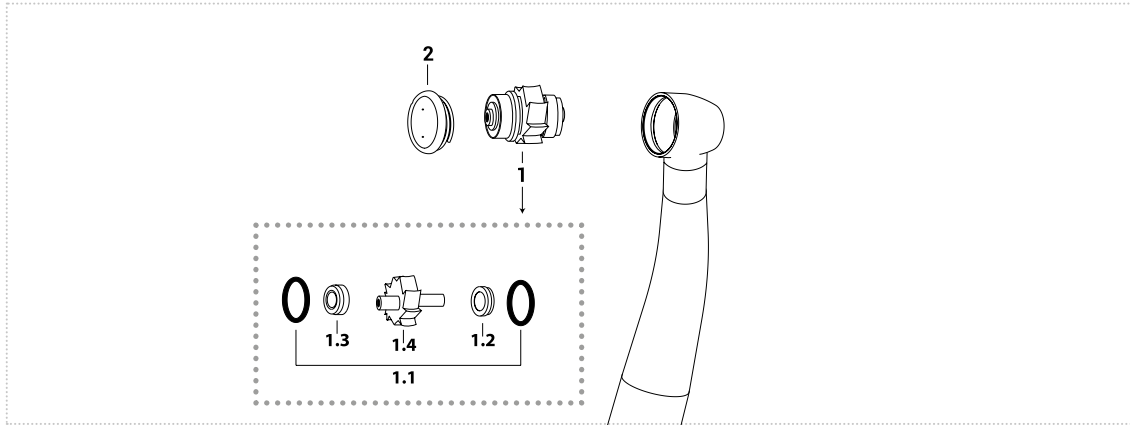
						
	1	1.1	1.2	1.3	1.4	2
	Complete rotor	O-ring kit 10 pcs	Bearing type (burs side)	Bearing type (push side)	Rotor without bearings	Push button
Order code	R024S	OR1K	CU6K	CU6K	SC024S	PIV1025S
	RC024S		CU6CC	CU6CC		
	R024B		CUB6B	CUB6B		
	RT24C		CUC99K	CUC99K		

1.2 - 1.3								
	Bearing	Size d.i/d.e/h(mm)	Cage	Balls	Contact	Abec	Brand	Type
Order code	CU6K	3,175X6,350X2,779	Torlon	Steel	Radial	7	Tecnomed Italia	Groove
	CU6CC	3,175X6,350X2,779	Torlon	Ceramic	Radial	7	Tecnomed Italia	Groove
	CUB6B	3,175X6,350X2,779	Fenolic	Steel	Radial	7	Myonic	Groove
	CUC99K	3,175X6,350X2,779	Fenolic	Ceramic	Radial	7	Myonic	Groove

RELATED PRODUCTS			
			
Push button Key for 2 holes	Adapter for spindles	Lubrication	
Order code	KIV2051S	CL5.001V	LIV1017 Ivory Silk Oil OL101S

Sirona® TM1 - TM2 - 4000M

**HIGH SPEED
HANDPIECE**



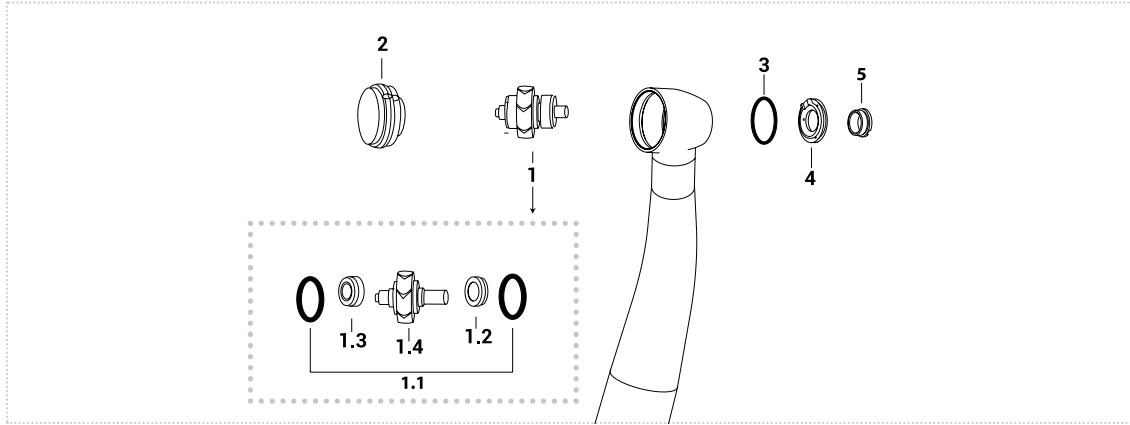
	1	1.1	1.2	1.3	1.4	2
	Complete rotor	O-ring kit 10 pcs	Bearing type (burs side)	Bearing type (push side)	Rotor without bearings	Push button
Order code	R040S RC045S	OR1K	CU61S CU61CC	CU61S CU61CC	SC40S	NOT AVAILABLE

1.2 - 1.3								
	Bearing	Size d.i/d. e/h(mm)	Cage	Balls	Contact	Abec	Brand	Type
Order code	CU61S	2,380X6,350X2,380	Torlon	Steel	Radial	7	Tecnomed Italia	Groove
	CU61CC	2,380X6,350X2,380	Torlon	Ceramic	Radial	7	Tecnomed Italia	Groove

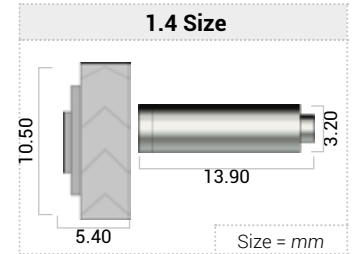
RELATED PRODUCTS			
Push button Key for 2 holes	Adapter for spindles	Lubrication	
Order code	KIV2051S	CL5.001V	LIV1017 Ivory Silk Oil OL101S










Sirona® T1* - TC3 Control

**HIGH SPEED
HANDPIECE**



*push with 3 cuts



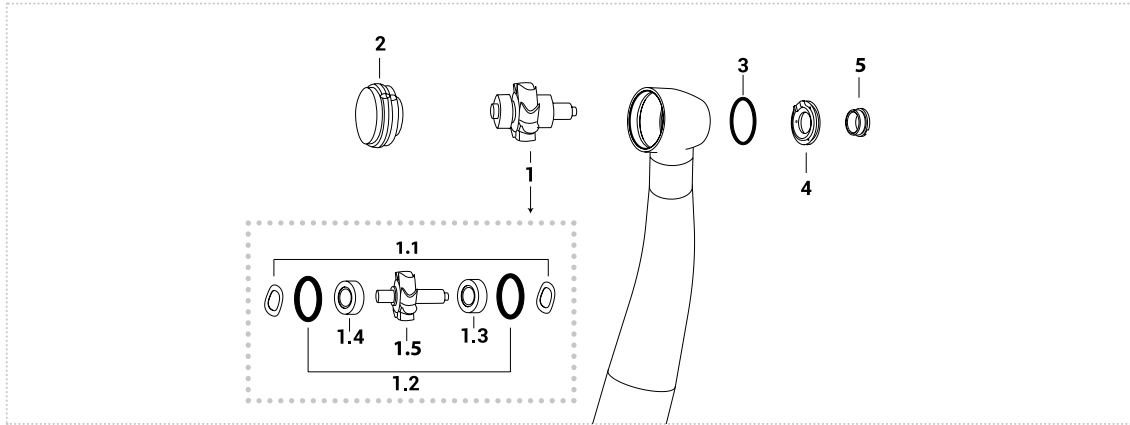
									
	1	1.1	1.2	1.3	1.4	2	3	4	5
	Complete rotor	O-ring kit 10 pcs	Bearing type (burs side)	Bearing type (push side)	Rotor without bearings	Push button	O-ring spray	Cover spray	Cover spray screw
Order code	R035S RT35CH R035TK RC035S	OR1K	CU6K CU6CC CUB6B CUC99K	CU6K CU6CC CUB6B CUC99K	SC035S	PIV1049S	704TM3854	NOT AVAILABLE	585TM5890

1.2 - 1.3								
Order code	Bearing	Size d.i./d.e/h(mm)	Cage	Balls	Contact	Abec	Brand	Type
	CU6K	3,175X6,350X2,779	Torlon	Steel	Radial	7	Tecnomed Italia	Groove
	CU6CC	3,175X6,350X2,779	Torlon	Ceramic	Radial	7	Tecnomed Italia	Groove
	CUB6B	3,175X6,350X2,779	Fenolic	Steel	Radial	7	Myonic	Groove
	CUC99K	3,175X6,350X2,779	Fenolic	Ceramic	Radial	7	Myonic	Groove

RELATED PRODUCTS			
			
Push button Key	Adapter for spindles	Lubrication	
Order code	KE1033	CL5.001V	LIV1017 Ivory Silk Oil OL101S

Sirona® T1-T2 Control* - B.A Interantional BA670LKS

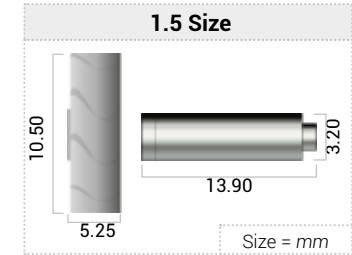
**HIGH SPEED
HANDPIECE**



*Push with 2 cuts



VIDEO TUTORIAL



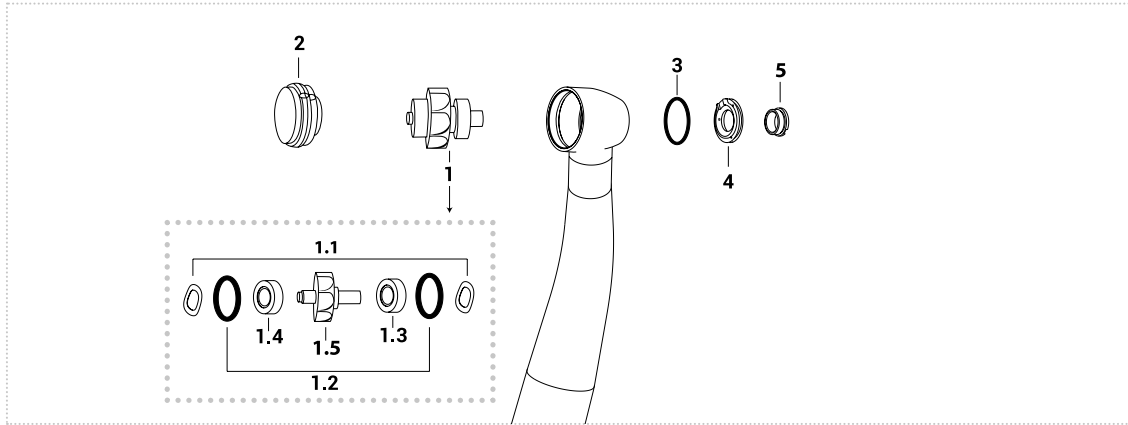
	1	1.1	1.2	1.3	1.4	1.5	2	3	4	5
	Complete rotor	Spring washer	O-ring kit 10 pcs	Bearing type (burs side)	Bearing type (push side)	Rotor without bearings	Push button	O-ring spray	Cover spray	Cover spray screw
Order code	R02T	SA300F	OR66K	CN01B	CN01B	SC02S	PIV1037S	704TM3854	NOT AVAIL- LABLE	585TM5890
	RT22CH			CN11BC	CN11BC					
	RT22T			CN11T	CN11T					
	R02TC			CB11BC	CB11BC					

1.3 - 1.4								
Order code	Bearing	Size d.i./d.e/h(mm)	Cage	Balls	Contact	Abec	Brand	Type
	CN01B	3,175X6,350X2,779	Torlon	Steel	Radial	7	Tecnomed Italia	Smooth
	CN11BC	3,175X6,350X2,779	Torlon	Ceramic	Radial	7	Tecnomed Italia	Smooth
	CN11T	3,175X6,350X2,779	Fenolic	Steel	Radial	7	Myonic	Smooth
	CB11BC	3,175X6,350X2,779	Fenolic	Ceramic	Radial	7	Myonic	Smooth

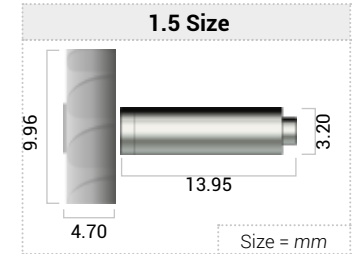
RELATED PRODUCTS			
Push button Key for 3 slots	Adapter for spindles	Lubrication	
Order code	KIV2050S	CL5.001V	LIV1017 Ivory Silk Oil OL101S

Sirona® T2 Racer - Siroboost S/T - B.A. International BA695L/BA755L - Fona 8080L SR

**HIGH SPEED
HANDPIECE**



VIDEO TUTORIAL



	1	1.1	1.2	1.3	1.4	1.5	2	3	4	5
	Complete rotor	Spring washer	O-ring kit 10 pcs	Bearing type (burs side)	Bearing type (push side)	Rotor without bearings	Push button	O-ring spray	Cover spray	Cover spray screw
Order code	R046R	SA300F	OR1K	CN01B	CN01B	SC46S	PIV1048S	704TM3854	NOT AVAILABLE	585TM5890
	R046CH			CN11BC	CN11BC					
	R046RB			CN11T	CN11T					
	R046RC			CB11BC	CB11BC					

1.3 - 1.4								
Order code	Bearing	Size d.i./d.e/h(mm)	Cage	Balls	Contact	Abec	Brand	Type
	CN01B	3,175X6,350X2,779	Torlon	Steel	Radial	7	Tecnomed Italia	Smooth
	CN11BC	3,175X6,350X2,779	Torlon	Ceramic	Radial	7	Tecnomed Italia	Smooth
	CN11T	3,175X6,350X2,779	Fenolic	Steel	Radial	7	Myonic	Smooth
	CB11BC	3,175X6,350X2,779	Fenolic	Ceramic	Radial	7	Myonic	Smooth

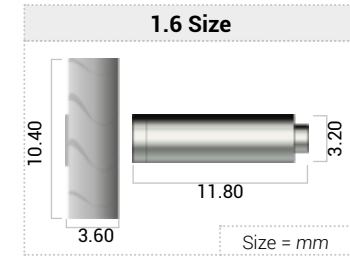
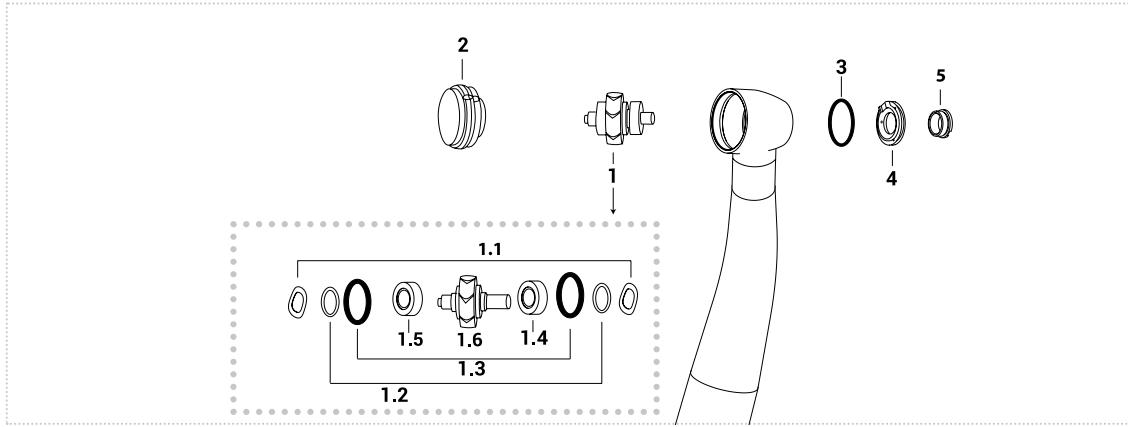
RELATED PRODUCTS

	Push button Key for 3 slots	Adapter for spindles	Lubrication
Order code	KIV2050S	CL5.001V	LIV1017 Ivory Silk Oil OL101S

Sirona® T1/T2/T3 Boost*

**HIGH SPEED
HANDPIECE**

*SN >600.000
< 700 000



	1	1.1	1.2	1.3	1.4	1.5	1.6	2	3	4	5
	Complete rotor	Spring washer	Teflon washer	O-ring kit 10 pcs	Bearing type (burs side)	Bearing type (push side)	Rotor without bearings	Push button	O-ring spray	Cover spray	Cover spray screw
Order code	R050T	SA400K	NOT AVAILABLE	OR1K	CN02A	CN02A	SC050S	PIV1052SN	704TM3854	NOT AVAILABLE	585TM5890
	R050TK				CB22BC	CB22BC					

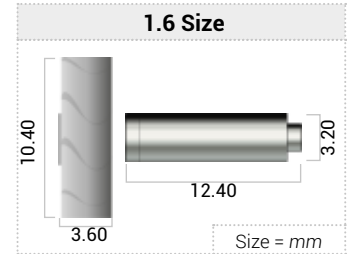
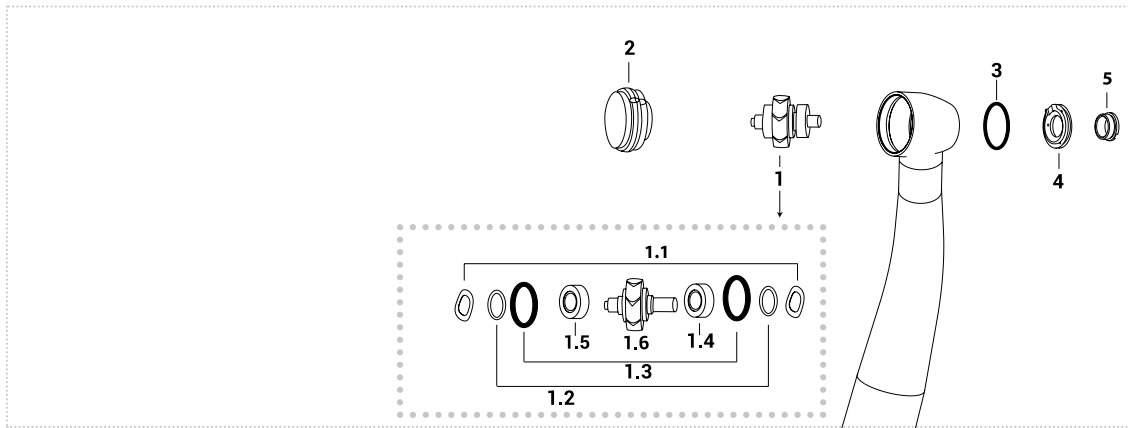
1.4 - 1.5							
Bearing	Size d.i/d.e/h(mm)	Cage	Balls	Contact	Abec	Brand	Type
CB22BC	3,175X6,350X2,380	Fenolic	Ceramic	Radial	7	Myonic	Smooth
CN02A	3,175X6,350X2,380	Torlon	Steel	Radial	7	Tecnomed Italia	Smooth

RELATED PRODUCTS			
Push button Key	Adapter for spindles	Lubrication	
Order code	KE1033	CL5.001V	LIV1017 Ivory Silk Oil OL101S

Sirona® T1/T2/T3 Boost*

**HIGH SPEED
HANDPIECE**

*SN > 700 000
< 800 000



	1	1.1	1.2	1.3	1.4	1.5	1.6	2	3	4	5
	Complete rotor	Spring washer	Teflon washer	O-ring kit 10 pcs	Bearing type (burs side)	Bearing type (push side)	Rotor without bearings	Push button	O-ring spray	Cover spray	Cover spray screw
Order code	R050TN R050TKN	SA400K	NOT AVAILABLE	OR1K	CN02A CB22BC	CN02A CB22BC	SC050SN	PIV1052SN	704TM3854	NOT AVAILABLE	585TM5890

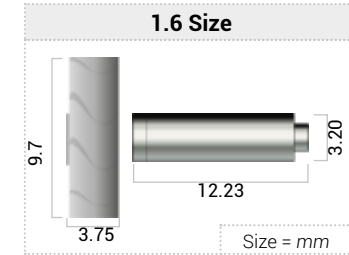
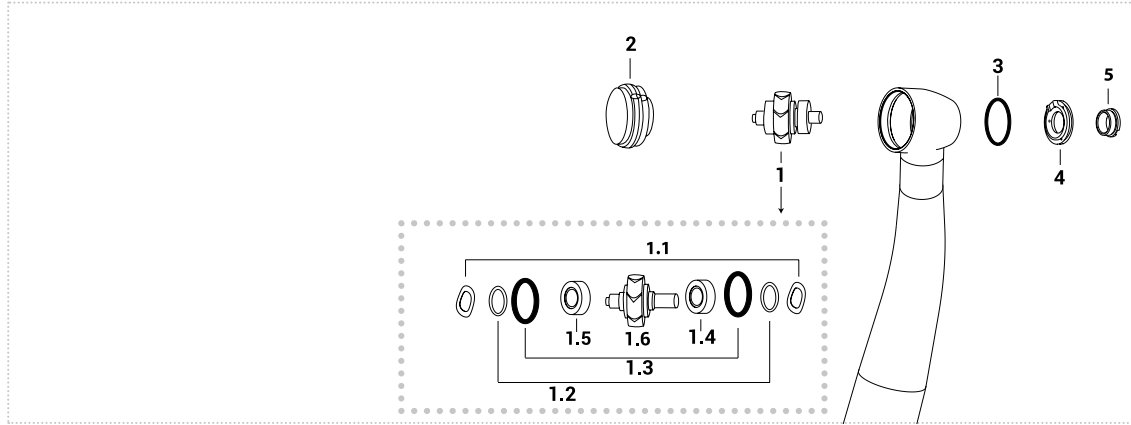
1.4 - 1.5								
	Bearing	Size d.i/d.e/h(mm)	Cage	Balls	Contact	Abec	Brand	Type
Order code	CB22BC	3,175X6,350X2,380	Fenolic	Ceramic	Radial	7	Myonic	Smooth
	CN02A	3,175X6,350X2,380	Torlon	Steel	Radial	7	Tecnomed Italia	Smooth

RELATED PRODUCTS			
Push button Key	Adapter for spindles	Lubrication	
Order code	KE1033	CL5.001V	LIV1017 Ivory Silk Oil OL101S

Sirona® T1/T2/T3 Boost*

**HIGH SPEED
HANDPIECE**

*SN > 800 000



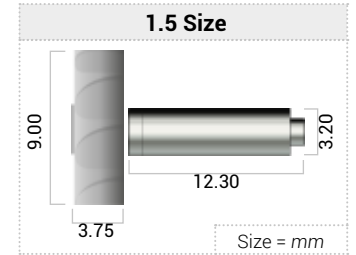
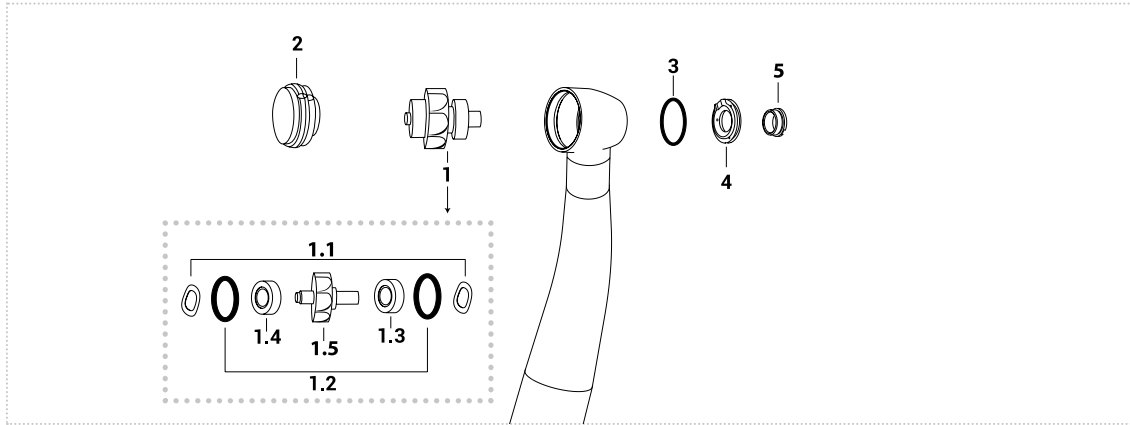
1	1.1	1.2	1.3	1.4	1.5	1.6	2	3	4	5
Complete rotor	Spring washer	Teflon washer	O-ring kit 10 pcs	Bearing type (burs side)	Bearing type (push side)	Rotor without bearings	Push button	O-ring spray	Cover spray	Cover spray screw
Order code										
R464S		NOT AVAILABLE	OR1K	CN02A	CN02A	SC464S	PIV1060S	NOT AVAILABLE	NOT AVAILABLE	NOT AVAILABLE
R464SK	SA400K			CB22BC	CB22BC					

1.4 - 1.5							
Bearing	Size d.i./d.e/h(mm)	Cage	Balls	Contact	Abec	Brand	Type
Order code							
CB22BC	3,175X6,350X2,380	Fenolic	Ceramic	Radial	7	Myonic	Smooth
CN02A	3,175X6,350X2,380	Torlon	Steel	Radial	7	Tecnomed Italia	Smooth

RELATED PRODUCTS			
Push button Key	Adapter for spindles	Lubrication	
Order code			
KIV1060S	CL5.001V	LIV1017	Ivory Silk Oil OL101S

Sirona® T2 Mini - B.A. International BA678LKS/BA758L

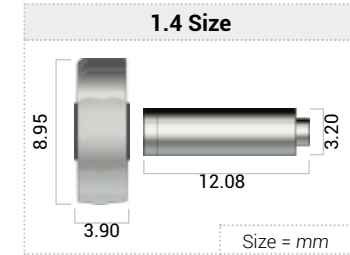
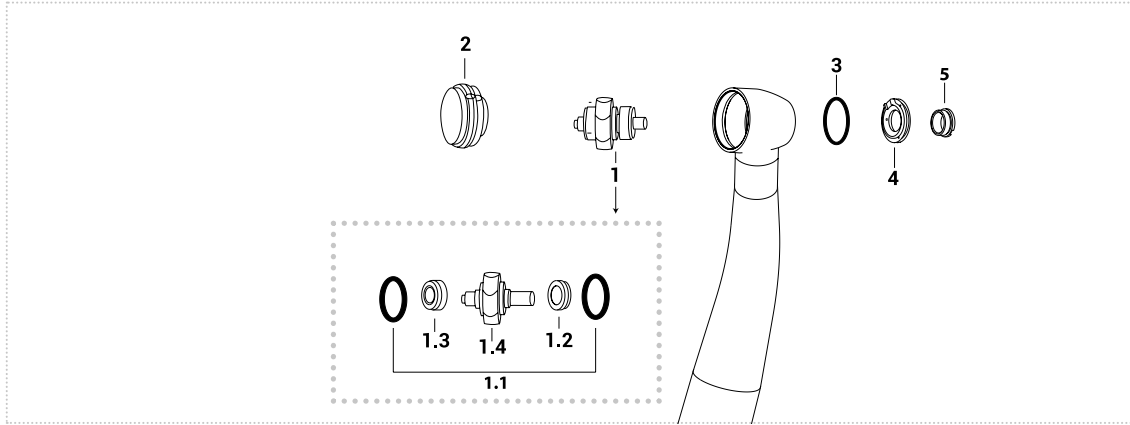
**HIGH SPEED
HANDPIECE**



	1	1.1	1.2	1.3	1.4	1.5	2	3	4	5
	Complete rotor	Spring washer	O-ring kit 10 pcs	Bearing type (burs side)	Bearing type (push side)	Rotor without bearings	Push button	O-ring spray	Cover spray	Cover spray screw
Order code	R027M	SA300F	OR66K	CN11BC	CN11BC	SC027	PIV1050S	704TM3854	NOT AVAILABLE	585TM5890

1.3 - 1.4								
Bearing	Size d.i/d.e/h(mm)	Cage	Balls	Contact	Abec	Brand	Type	
Order code	CN11BC	3,175X6,350X2,779	Torlon	Ceramic	Radial	7	Tecnomed Italia	Smooth

RELATED PRODUCTS			
Push button Key for 3 slots	Adapter for spindles	Lubrication	
Order code	KIV2050S	CL5.001V	LIV1017 Ivory Silk Oil OL101S



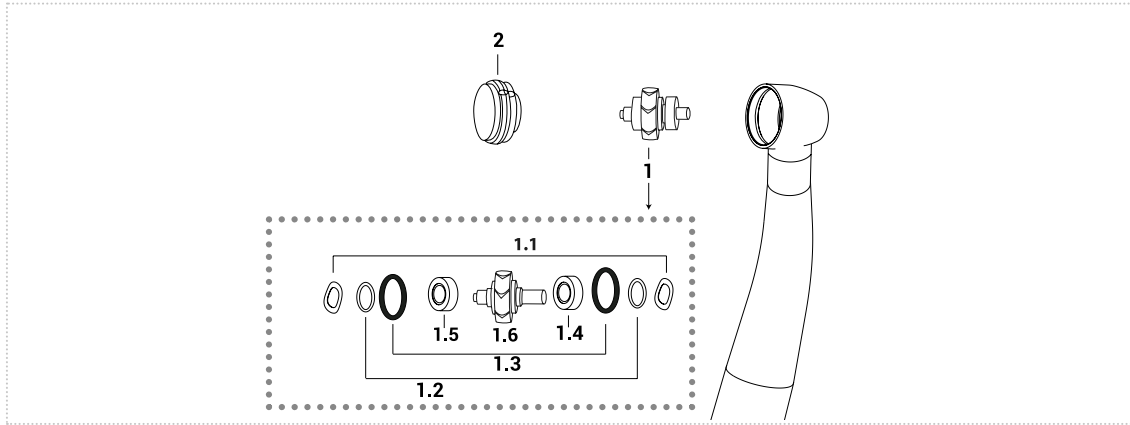
	1	1.1	1.2	1.3	1.4	2	3	4	5
	Complete rotor	O-ring kit 10 pcs	Bearing type (burs side)	Bearing type (push side)	Rotor without bearings	Push button	O-ring spray	Cover spray	Cover spray screw
Order code	R028M	OR1K	CU60SK	CU60SK	SC028S	PIV1051S	704TM3854	NOT AVAILABLE	585TM5890

1.2 - 1.3								
	Bearing	Size d.i/d.e/h(mm)	Cage	Balls	Contact	Abec	Brand	Type
Order code	CN11BC	3,175X6,350X2,779	Torlon	Ceramic	Radial	7	Tecnomed Italia	Smooth

RELATED PRODUCTS			
Push button Key	Adapter for spindles	Lubrication	
Order code	NOT AVAILABLE	CL5.001V	LIV1017 Ivory Silk Oil OL101S

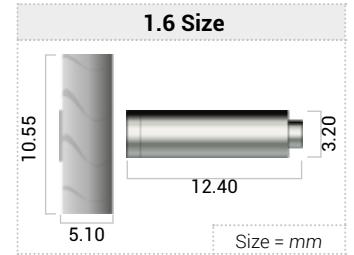
Sirona® T1/T2 Control*

**HIGH SPEED
HANDPIECE**



* SN >600.000
<800.000

Push with 3 cuts



	1	1.1	1.2	1.3	1.4	1.5	1.6	2
	Complete rotor	Spring washer	Teflon washer	O-ring kit 10 pcs	Bearing type (burs side)	Bearing type (push side)	Rotor without bearings	Push button
Order code	R054T	SA400K	NOT AVAILABLE	OR1K	CN02A	CN02A	SC054S	PIV1052S
	R054TK				CB22BC	CB22BC		

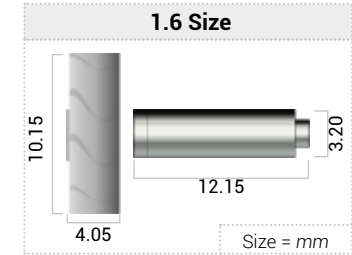
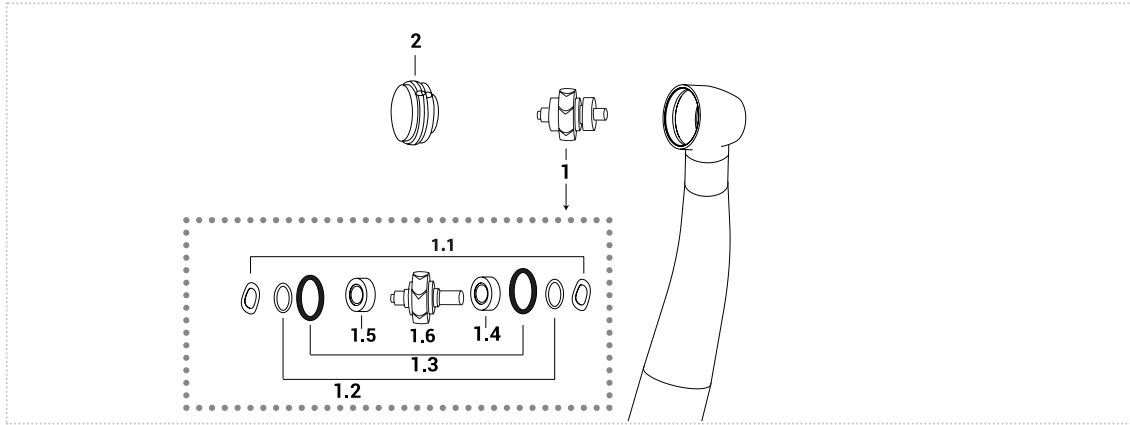
1.4 - 1.5								
	Bearing	Size d.i/d.e/h(mm)	Cage	Balls	Contact	Abec	Brand	Type
Order code	CB22BC	3,175X6,350X2,380	Fenolic	Ceramic	Radial	7	Myonic	Smooth
	CN02A	3,175X6,350X2,380	Torlon	Steel	Radial	7	Tecnomed Italia	Smooth

RELATED PRODUCTS			
Push button Key	Adapter for spindles	Lubrication	
Order code	KE1033	CL5.001V	LIV1017 Ivory Silk Oil OL101S

Sirona® T1/T2 Control*

**HIGH SPEED
HANDPIECE**

*SN > 800 000



	1	1.1	1.2	1.3	1.4	1.5	1.6	2
	Complete rotor	Spring washer	Teflon washer	O-ring kit 10 pcs	Bearing type (burs side)	Bearing type (push side)	Rotor without bearings	Push button
Order code	R02TCN	SA400K	NOT AVAILABLE	OR1K	CB22BC	CB22BC	SC02SN	PIV1058SN

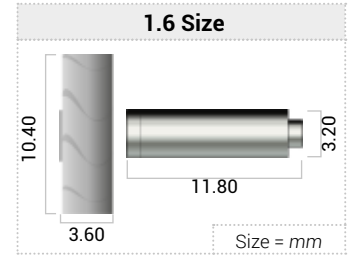
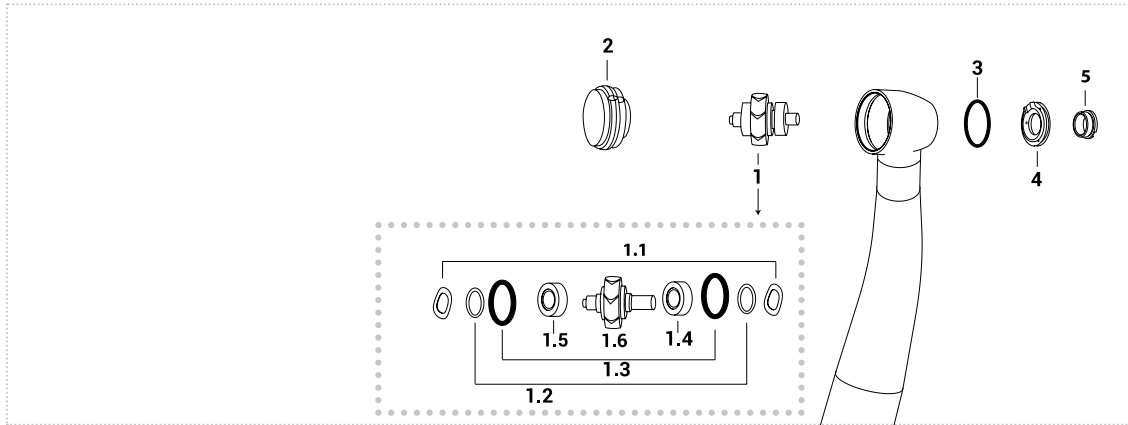
1.4 - 1.5								
	Bearing	Size d.i./d.e/h(mm)	Cage	Balls	Contact	Abec	Brand	Type
Order code	CB22BC	3,175X6,350X2,380	Fenolic	Ceramic	Radial	7	Myonic	Smooth

RELATED PRODUCTS			
Push button Key	Adapter for spindles	Lubrication	
Order code	KIV2058S	CL5.001V	LIV1017 Ivory Silk Oil OL101S

Sirona® T2 Boost* Enjoy

**HIGH SPEED
HANDPIECE**

***Push with 3 cuts**

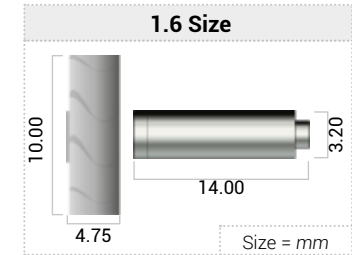
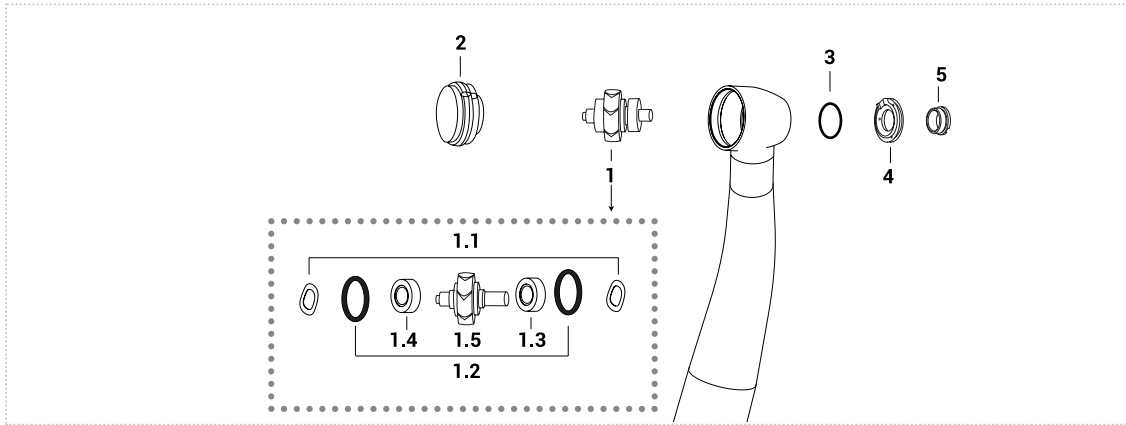


	1	1.1	1.2	1.3	1.4	1.5	1.6	2	3	4	5
	Complete rotor	Spring washer	Teflon washer	O-ring kit 10 pcs	Bearing type (burs side)	Bearing type (push side)	Rotor without bearings	Push button	O-ring spray	Cover spray	Cover spray screw
Order code	R055T	SA400K	NOT AVAILABLE	OR1K	CN02A	CN02A	SC055S	NOT AVAILABLE	704TM3854	NOT AVAILABLE	585TM5890
	R055TK				CB22BC	CB22BC					

1.4 - 1.5								
	Bearing	Size d.i/d.e/h(mm)	Cage	Balls	Contact	Abec	Brand	Type
Order code	CB22BC	3,175X6,350X2,380	Fenolic	Ceramic	Radial	7	Myonic	Smooth
	CN02A	3,175X6,350X2,380	Torlon	Steel	Radial	7	Tecnomed Italia	Smooth

RELATED PRODUCTS			
Push button Key	Adapter for spindles	Lubrication	
Order code	KE1033	CL5.001V	LIV1017 Ivory Silk Oil OL101S

*Push with 3 cuts



	1	1.1	1.2	1.3	1.4	1.5	2	3	4	5
	Complete rotor	Spring washer	O-ring kit 10 pcs	Bearing type (burs side)	Bearing type (push side)	Rotor without bearings	Push button	O-ring spray	Cover spray	Cover spray screw
Order code	R463S	SA300F	OR1K	CN01B	CN01B	SC463S	PIV1055S	704TM3854	NOT AVAILABLE	585TM5890
	R463SK			CB11BC	CB11BC					



1.3 - 1.4								
	Bearing	Size d.i./d.e/h(mm)	Cage	Balls	Contact	Abec	Brand	Type
Order code	CN01B	3,175X6,350X2,779	Torlon	Steel	Radial	7	Tecnomed Italia	Smooth
	CB11BC	3,175X6,350X2,779	Fenolic	Ceramic	Radial	7	Myonic	Smooth

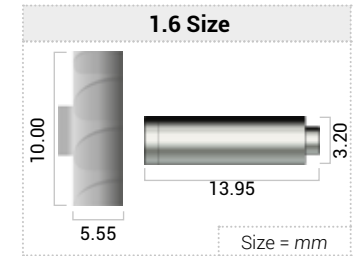
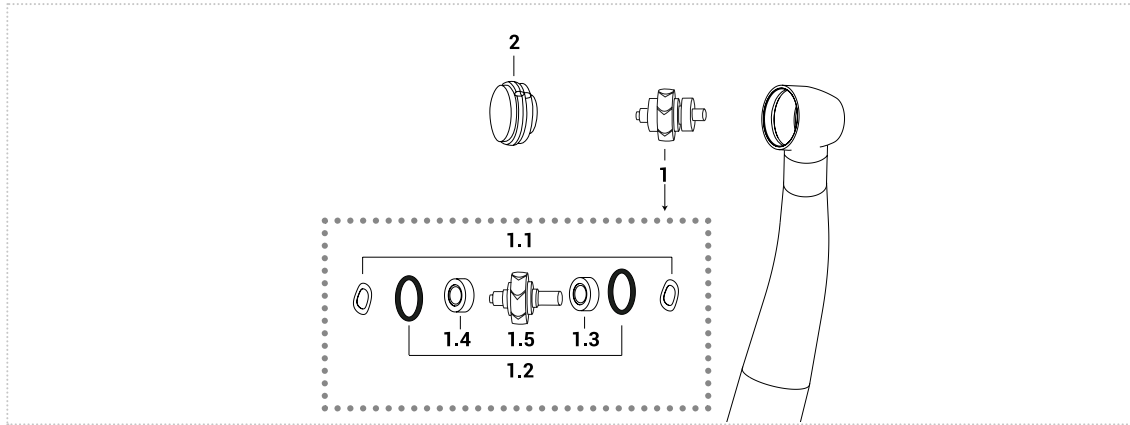
RELATED PRODUCTS

	Push button Key	Adapter for spindles	Lubrication	
Order code	KIV1033M	CL5.001V	LIV1017	Ivory Silk Oil OL101S

Sirona® T3/T4 Racer*

**HIGH SPEED
HANDPIECE**

*SN<600.000



	1	1.1	1.2	1.3	1.4	1.5	2
	Complete rotor	Spring washer	O-ring kit 10 pcs	Bearing type (burs side)	Bearing type (push side)	Rotor without bearings	Push button
Order code	R462S	SA300F	OR1K	CN01B	CN01B	SC462S	PIV1048S
	R462SK			CB11BC	CB11BC		

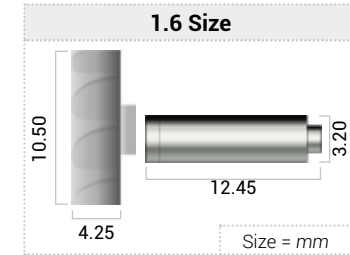
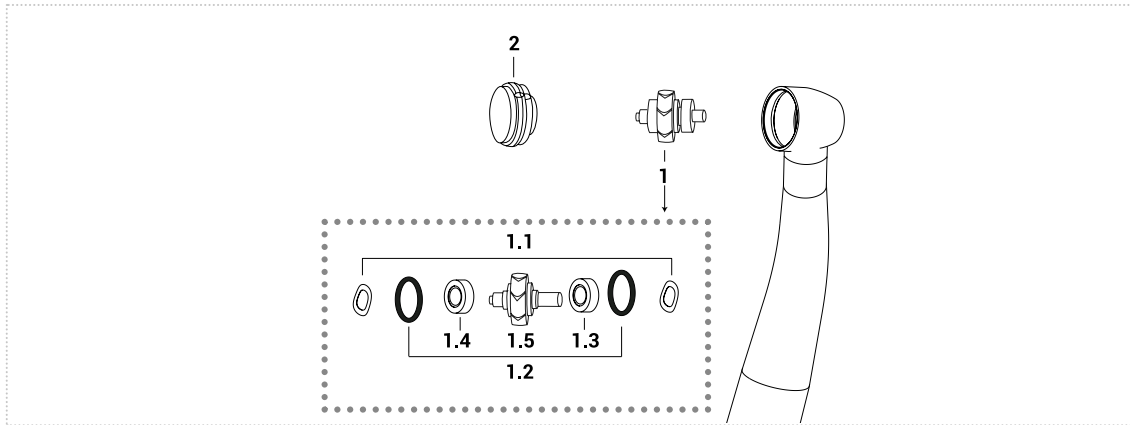
1.3 - 1.4								
	Bearing	Size d.i./d.e/h(mm)	Cage	Balls	Contact	Abec	Brand	Type
Order code	CN01B	3,175X6,350X2,779	Torlon	Steel	Radial	7	Tecnomed Italia	Smooth
	CB11BC	3,175X6,350X2,779	Fenolic	Ceramic	Radial	7	Myonic	Smooth

RELATED PRODUCTS			
Push button key	Adapter for spindles	Lubrication	
Order code	KIV2050S	CL5.001V	LIV1017 Ivory Silk Oil OL101S

Sirona® T3-T4 Racer*

**HIGH SPEED
HANDPIECE**

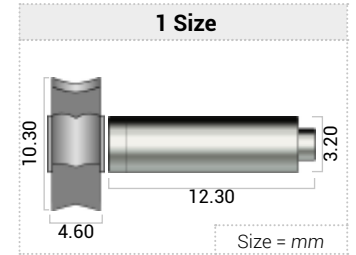
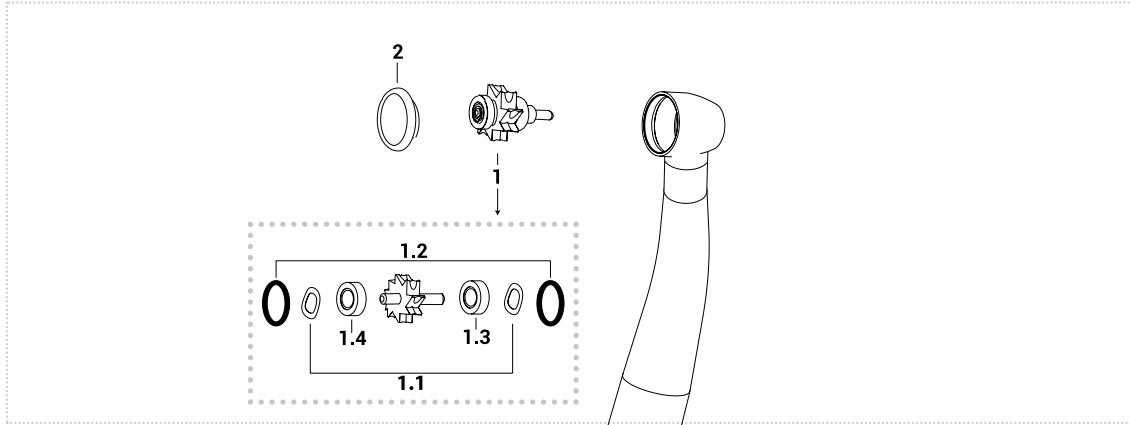
* SN >600.000
<700.000



	1	1.1	1.2	1.3	1.4	1.5	2
	Complete rotor	Spring washer	O-ring kit 10 pcs	Bearing type (burs side)	Bearing type (push side)	Rotor without bearings	Push button
Order code	R461S	SA300F	OR1K	CN02A	CN02A	SC461S	PIV1056S
	R461SK			CB22BC	CB22BC		

1.3 - 1.4								
	Bearing	Size d.i./d.e/h(mm)	Cage	Balls	Contact	Abec	Brand	Type
Order code	CN02A	3,175X6,350X2,380	Torlon	Steel	Radial	7	Tecnomed Italia	Smooth
	CB22BC	3,175X6,350X2,380	Fenolic	Ceramic	Radial	7	Myonic	Smooth

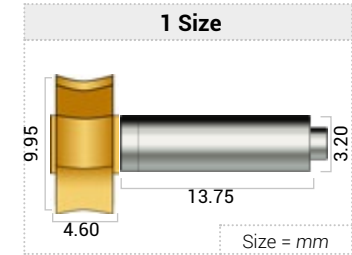
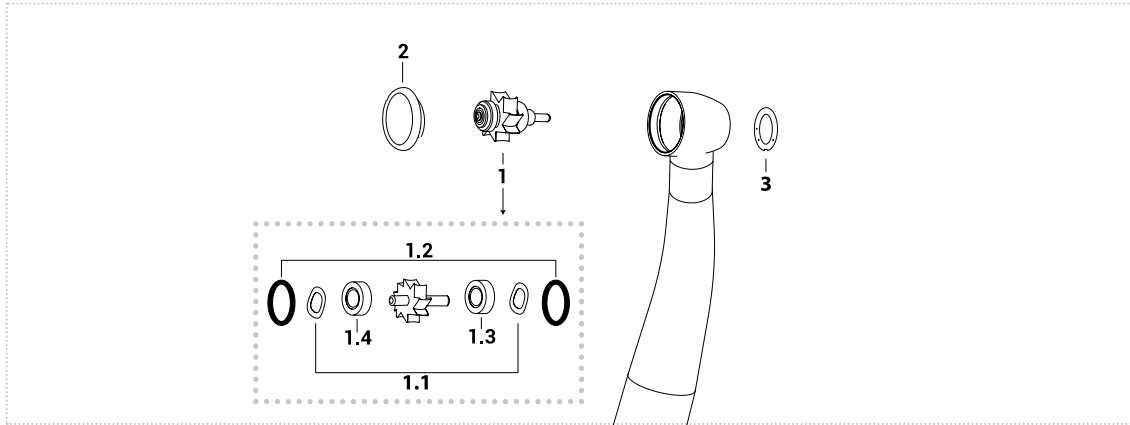
RELATED PRODUCTS			
Push button Key	Adapter for spindles	Lubrication	
Order code	KE1033	CL5.001V	LIV1017 Ivory Silk Oil OL101S



	1	1.1	1.2	1.3	1.4	2
	Complete rotor	Spring washer	O-ring kit 10 pcs	Bearing type (burs side)	Bearing type (push side)	Push button
Order code	162TM90	SA300FO	OR7TK	CN01B	CN01B	PIV1630T

1.3 - 1.4								
Order code	Bearing	Size d.i/d.e/h(mm)	Cage	Balls	Contact	Abec	Brand	Type
	CN01B	3,175X6,350X2,779	Torlon	Steel	Radial	7	Tecnomed Italia	Smooth

RELATED PRODUCTS		
Push button key	Adapter for spindles	Lubrication
Order code	KIV1023TM	CL5.001V
		Ivory Silk Oil OL101S



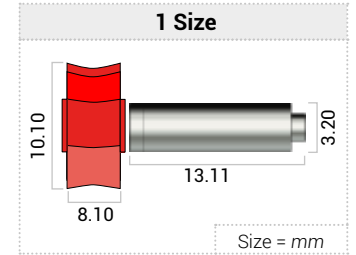
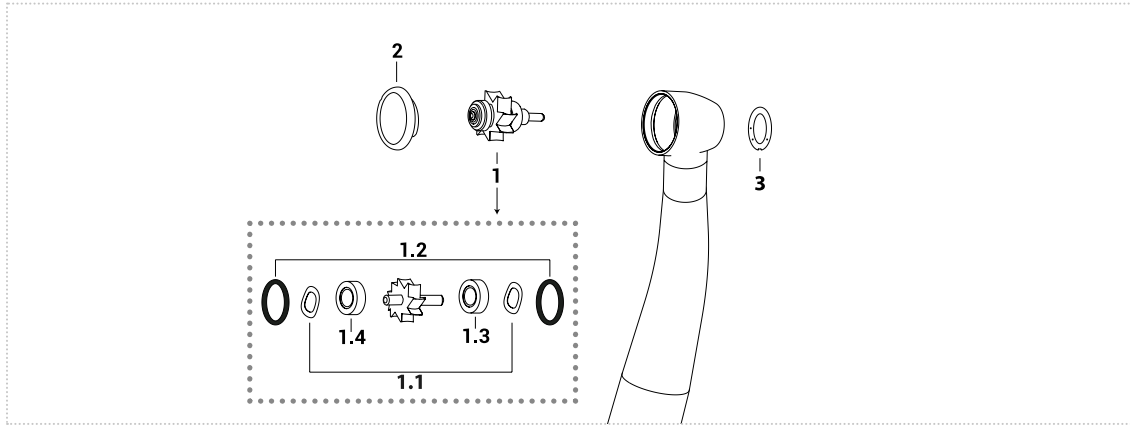
	1	1.1	1.2	1.3	1.4	2	3
	Complete rotor	Spring washer	O-ring kit 10 pcs	Bearing type (burs side)	Bearing type (push side)	Push button	O-ring spray
Order code	184.90	SA300FO	OR7TK	CN01B	CN01B	PIV1230T	OR4712

1.3 - 1.4								
	Bearing	Size d.i./d.e/h(mm)	Cage	Balls	Contact	Abec	Brand	Type
Order code	CN01B	3,175X6,350X2,779	Torlon	Steel	Radial	7	Tecnomed Italia	Smooth

RELATED PRODUCTS		
Push button key	Adapter for spindles	Lubrication
Order code	KIV10001	CL5.001V
		Ivory Silk Oil OL101S

TKD® Titan - Titan Lux - Thera - Thera Lux

**HIGH SPEED
HANDPIECE**



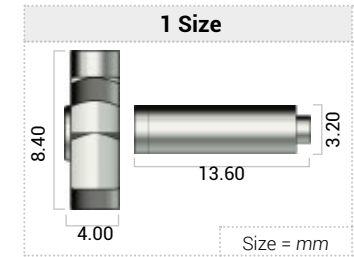
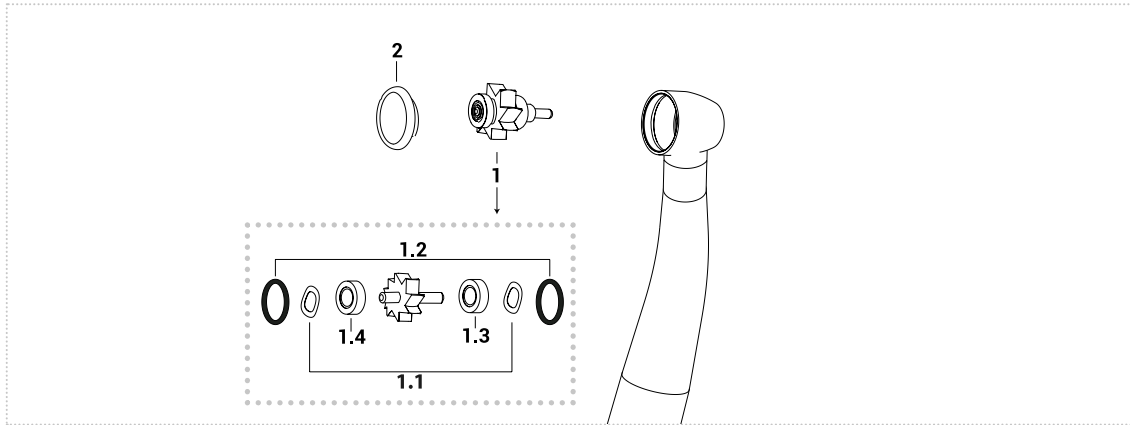
	1	1.1	1.2	1.3	1.4	2	3
	Complete rotor	Spring washer	O-ring kit 10 pcs	Bearing type (burs side)	Bearing type (push side)	Push button	Gasket spray
Order code	180.90	SA300FO	OR7TK	CN01B	CN01B	AVAILABLE ON REQUEST	AVAILABLE ON REQUEST

1.3 - 1.4								
	Bearing	Size d.i/d.e/h(mm)	Cage	Balls	Contact	Abec	Brand	Type
Order code	CN01B	3,175X6,350X2,779	Torlon	Steel	Radial	7	Tecnomed Italia	Smooth

RELATED PRODUCTS		
Push button key	Adapter for spindles	Lubrication
Order code	KIV10001	CL5.001V
		Ivory Silk Oil OL101S

TKD® Micra R/L

**HIGH SPEED
HANDPIECE**



	1	1.1	1.2	1.3	1.4	2
	Complete rotor	Spring washer	O-ring kit 10 pcs	Bearing type (burs side)	Bearing type (push side)	Push button
Order code	192TM90	SA300FO	OR7TK	CN01B	CN01B	009.30

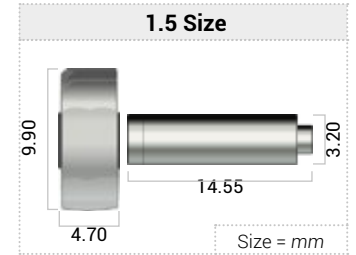
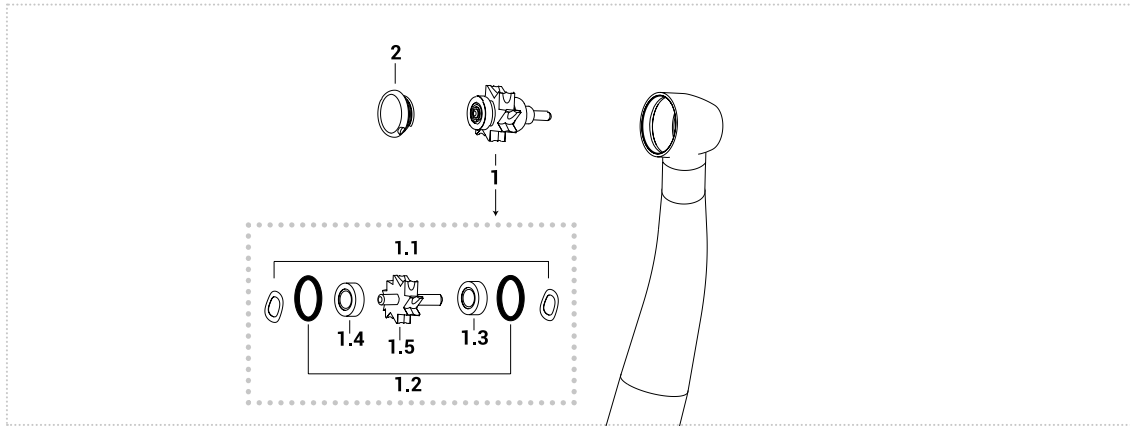
1.3 - 1.4								
	Bearing	Size d.i/d.e/h(mm)	Cage	Balls	Contact	Abec	Brand	Type
Order code	CN01B	3,175X6,350X2,779	Torlon	Steel	Radial	7	Tecnomed Italia	Smooth

RELATED PRODUCTS

	Push button key	Adapter for spindles	Lubrication
Order code	KIV10001	CL5.001V	Ivory Silk Oil OL101S

W&H® Trend TC80B/C - TE-95B/C

**HIGH SPEED
HANDPIECE**



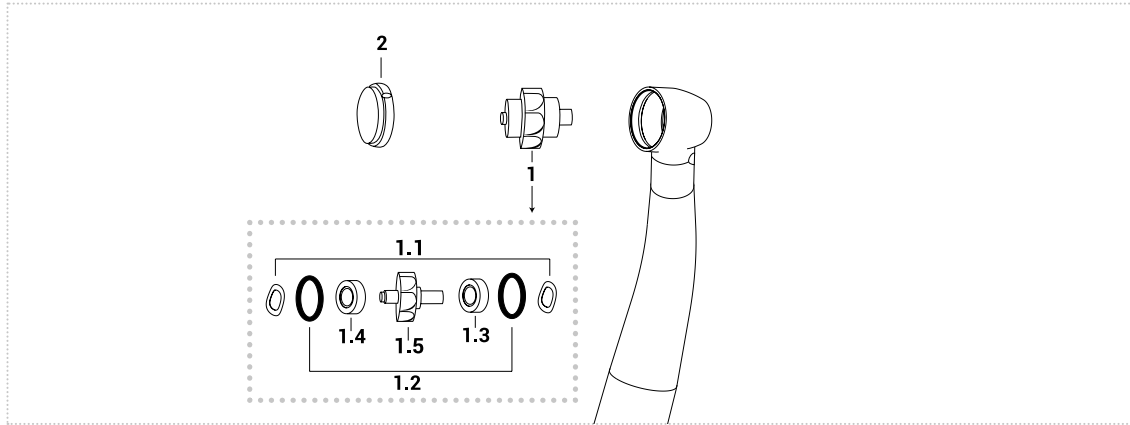
	1	1.1	1.2	1.3	1.4	1.5	2
	Complete rotor	Spring washer	O-ring kit 10 pcs	Bearing type (burs side)	Bearing type (push side)	Rotor without bearings	Push button
Order code	WH01T WHT04T	SA300F	OR66K	CN01B CN11BC	CN01B CN11BC	SC01W	PIV2034W

1.3 - 1.4								
Order code	Bearing	Size d.i/d.e/h(mm)	Cage	Balls	Contact	Abec	Brand	Type
	CN01B	3,175X6,350X2,779	Torlon	Steel	Radial	7	Tecnomed Italia	Smooth
	CN11BC	3,175X6,350X2,779	Torlon	Ceramic	Radial	7	Tecnomed Italia	Smooth

RELATED PRODUCTS			
Push button key	Adapter for spindles	Lubrication	
Order code	KIV1887W	CL5.001V	LIV1018 Ivory Silk Oil OL101S

W&H® Synea TA-98 LED* - Fusion TG-98 / TG-98 LED

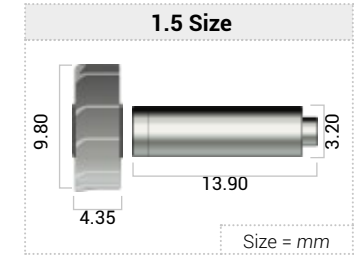
**HIGH SPEED
HANDPIECE**










*Push with 3 cuts








VIDEO TUTORIAL



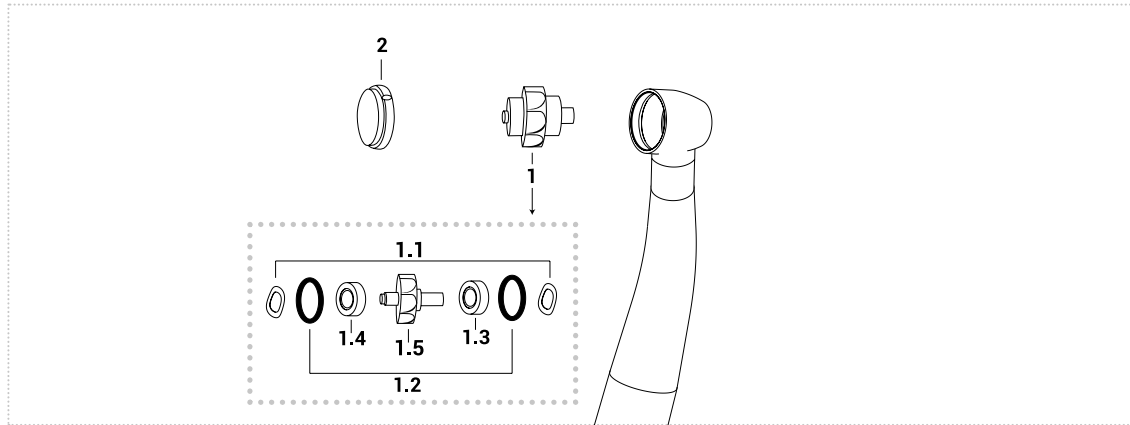
							
	1	1.1	1.2	1.3	1.4	1.5	2
	Complete rotor	Spring washer	O-ring kit 10 pcs	Bearing type (burs side)	Bearing type (push side)	Rotor without bearings	Push button
Order code	WTA98L	SA300F	OR66K	CN01B	CN01B	SC98LW	PIV2021WL
	WTA98C			CN11BC	CN11BC		
	WTA98LC			CN11T	CN11T		
	WTA98LCM			CB11BC	CB11BC		

1.3 - 1.4								
Order code	Bearing	Size d.i./d.e/h(mm)	Cage	Balls	Contact	Abec	Brand	Type
	CN01B	3,175X6,350X2,779	Torlon	Steel	Radial	7	Tecnomed Italia	Smooth
	CN11BC	3,175X6,350X2,779	Torlon	Ceramic	Radial	7	Tecnomed Italia	Smooth
	CN11T	3,175X6,350X2,779	Fenolic	Steel	Radial	7	Myonic	Smooth
	CB11BC	3,175X6,350X2,779	Fenolic	Ceramic	Radial	7	Myonic	Smooth

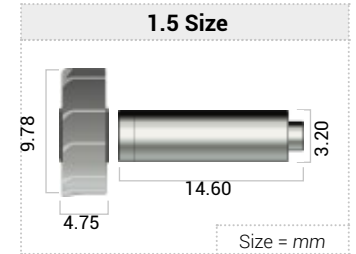
RELATED PRODUCTS				
				
Push button key for 3 hole	Head expander	Adapter for spindles	Lubrication	
Order code	KIV18LEW	RT028M	CL5.001V	LIV1018 Ivory Silk Oil OL101S

W&H® Synea TA-98* - TA-98LC*

**HIGH SPEED
HANDPIECE**



*Push with 2 cuts



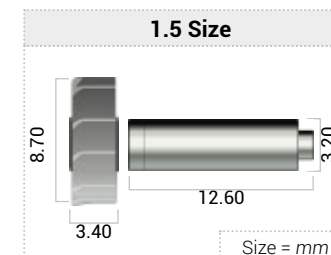
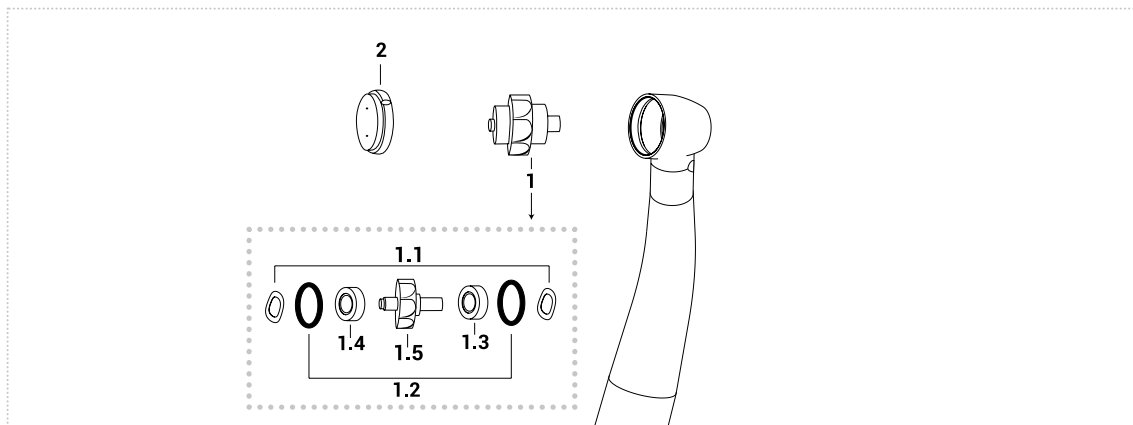
	1	1.1	1.2	1.3	1.4	1.5	2
	Complete rotor	Spring washer	O-ring kit 10 pcs	Bearing type (burs side)	Bearing type (push side)	Rotor without bearings	Push button
Order code	WH02S	SA300F	OR66K	CN01B	CN01B	SC02W	PIV2021W
	WT05CH			CN11BC	CN11BC		
	WT05S			CN11T	CN11T		
	WT05CC			CB11BC	CB11BC		

1.3 - 1.4								
	Bearing	Size d.i/d.e/h(mm)	Cage	Balls	Contact	Abec	Brand	Type
Order code	CN01B	3,175X6,350X2,779	Torlon	Steel	Radial	7	Tecnomed Italia	Smooth
	CN11BC	3,175X6,350X2,779	Torlon	Ceramic	Radial	7	Tecnomed Italia	Smooth
	CN11T	3,175X6,350X2,779	Fenolic	Steel	Radial	7	Myonic	Smooth
	CB11BC	3,175X6,350X2,779	Fenolic	Ceramic	Radial	7	Myonic	Smooth

RELATED PRODUCTS				
Push button Key for 2 hole	Head expanding	Adapter for spindles	Lubrication	
Order code	KIV1885W	RT027M	CL5.001V	LIV1018 Ivory Silk Oil OL101S

W&H® Synea TA-97/LED - Alegra TE-97 old

**HIGH SPEED
HANDPIECE**



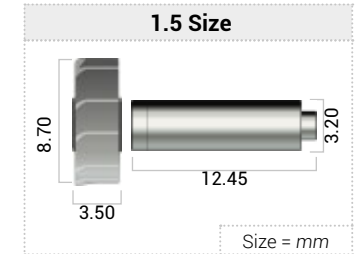
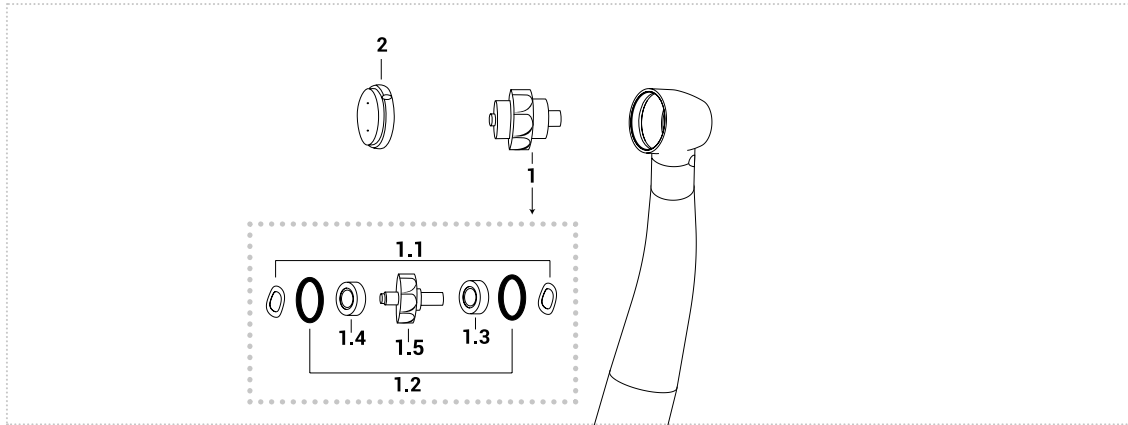
	1	1.1	1.2	1.3	1.4	1.5	2
	Complete rotor	Spring washer	O-ring kit 10 pcs	Bearing type (burs side)	Bearing type (push side)	Rotor without bearings	Push button
Order code	WTA97L	SA300F	OR66K	CN01B	CN01B	SC97W	PIV2035W
	WTA97C			CN11BC	CN11BC		
	WTA97LC			CN11T	CN11T		
	WTA97LCM			CB11BC	CB11BC		

1.3 - 1.4								
	Bearing	Size d.i/d.e/h(mm)	Cage	Balls	Contact	Abec	Brand	Type
Order code	CN01B	3,175X6,350X2,779	Torlon	Steel	Radial	7	Tecnomed Italia	Smooth
	CN11BC	3,175X6,350X2,779	Torlon	Ceramic	Radial	7	Tecnomed Italia	Smooth
	CN11T	3,175X6,350X2,779	Fenolic	Steel	Radial	7	Myonic	Smooth
	CB11BC	3,175X6,350X2,779	Fenolic	Ceramic	Radial	7	Myonic	Smooth

RELATED PRODUCTS			
Push button key	Adapter for spindles	Lubrication	
Order code	KIV19LEW	CL5.001V	LIV1018 Ivory Silk Oil OL101S

W&H® Synea Fusion TG-97LM

**HIGH SPEED
HANDPIECE**



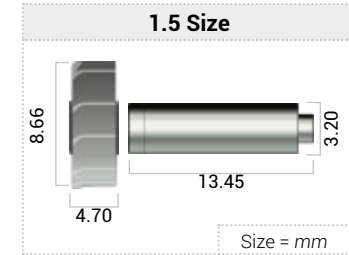
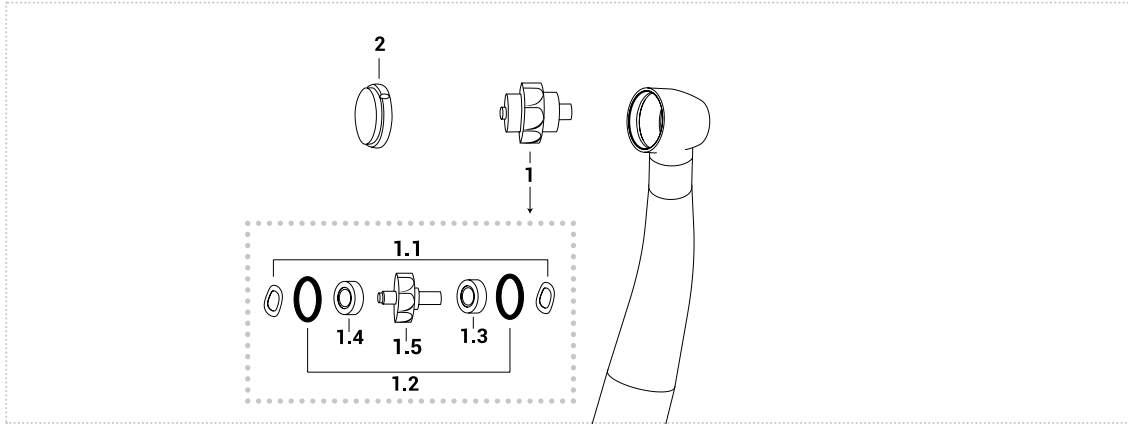
	1	1.1	1.2	1.3	1.4	1.5	2
	Complete rotor	Spring washer	O-ring kit 10 pcs	Bearing type (burs side)	Bearing type (push side)	Rotor without bearings	Push button
Order code	WTG97VLC	SA300F	OR66K	CB11BC	CB11BC	SC97TGW	PIV2035W

1.3 - 1.4								
	Bearing	Size d.i/d.e/h(mm)	Cage	Balls	Contact	Abec	Brand	Type
Order code	CB11BC	3,175X6,350X2,779	Fenolic	Ceramic	Radial	7	Myonic	Smooth

RELATED PRODUCTS			
Order code	KIV19LEW	CL5.001V	LIV1018 Ivory Silk Oil OL101S

W&H® Synea TA-96 Mini - Alegra TE-96BC

**HIGH SPEED
HANDPIECE**



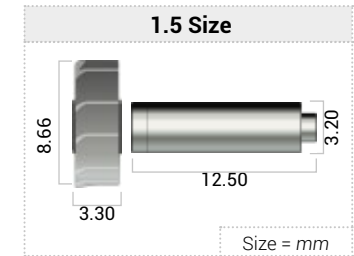
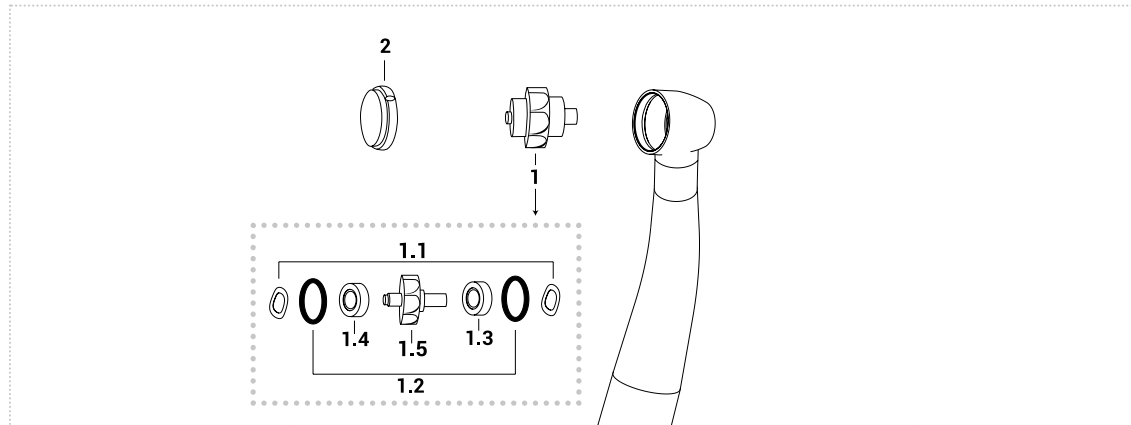
	1	1.1	1.2	1.3	1.4	1.5	2
	Complete rotor	Spring washer	O-ring kit 10 pcs	Bearing type (burs side)	Bearing type (push side)	Rotor without bearings	Push button
Order code	WH033S	SA300F	OR66K	CN01B	CN01B	SC03W	PIV2036W
	WT33CC			CB11BC	CB11BC		

1.3 - 1.4								
	Bearing	Size d.i/d.e/h(mm)	Cage	Balls	Contact	Abec	Brand	Type
Order code	CN01B	3,175X6,350X2,779	Torlon	Steel	Radial	7	Tecnomed Italia	Smooth
	CB11BC	3,175X6,350X2,779	Fenolic	Ceramic	Radial	7	Myonic	Smooth

RELATED PRODUCTS			
Push button key	Adapter for spindles	Lubrication	
Order code	KIV1896W	CL5.001V	LIV1018 Ivory Silk Oil OL101S

W&H® Synea VISION TK-97

**HIGH SPEED
HANDPIECE**



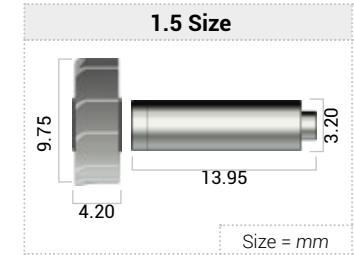
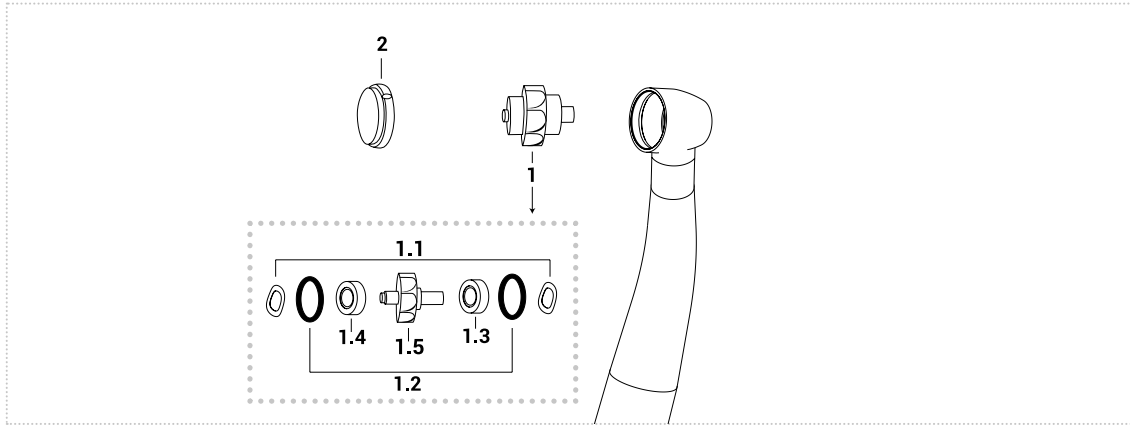
	1	1.1	1.2	1.3	1.4	1.5	2
	Complete rotor	Spring washer	O-ring kit 10 pcs	Bearing type (burs side)	Bearing type (push side)	Rotor without bearings	Push button
Order code	WTA97VLC	SA300F	OR66K	CN11T	CN11T	SC97VW	PIV2047W
	WTA97LCM			CB11BC	CB11BC		

1.3 - 1.4								
Order code	Bearing	Size d.i/d.e/h(mm)	Cage	Balls	Contact	Abec	Brand	Type
	CN11T	3,175X6,350X2,779	Fenolic	Steel	Radial	7	Myonic	Smooth
	CB11BC	3,175X6,350X2,779	Fenolic	Ceramic	Radial	7	Myonic	Smooth

RELATED PRODUCTS			
Push button key	Adapter for spindles	Lubrication	
Order code	KIV19LEW	CL5.001V	LIV1018 Ivory Silk Oil OL101S

W&H® Synea VISION TK-98

**HIGH SPEED
HANDPIECE**



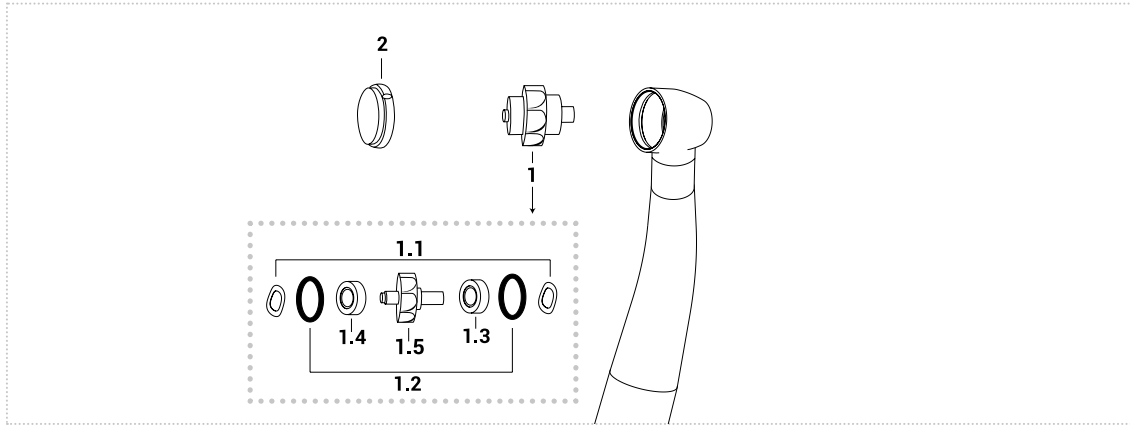
	1	1.1	1.2	1.3	1.4	1.5	2
	Complete rotor	Spring washer	O-ring kit 10 pcs	Bearing type (burs side)	Bearing type (push side)	Rotor without bearings	Push button
Order code	WTA98VLC	SA300F	OR66K	CN11T	CN11T	SC98VW	PIV2048W
	WTA98VLCM			CB11BC	CB11BC		

1.3 - 1.4								
Order code	Bearing	Size d.i/d.e/h(mm)	Cage	Balls	Contact	Abec	Brand	Type
	CN11T	3,175X6,350X2,779	Fenolic	Steel	Radial	7	Myonic	Smooth
	CB11BC	3,175X6,350X2,779	Fenolic	Ceramic	Radial	7	Myonic	Smooth

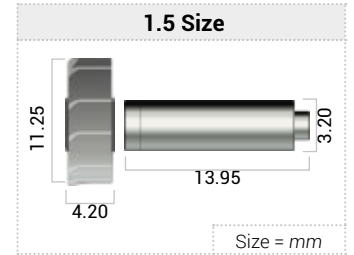
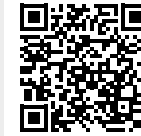
RELATED PRODUCTS			
Push button key & head expander	Adapter for spindles	Lubrication	
Order code	RT028M	CL5.001V	LIV1018 Ivory Silk Oil OL101S

W&H® Synea VISION TK-100 LM

**HIGH SPEED
HANDPIECE**



VIDEO TUTORIAL

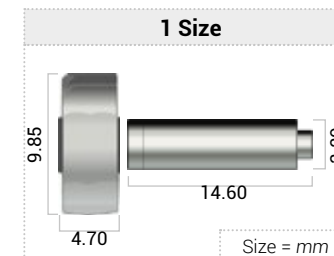
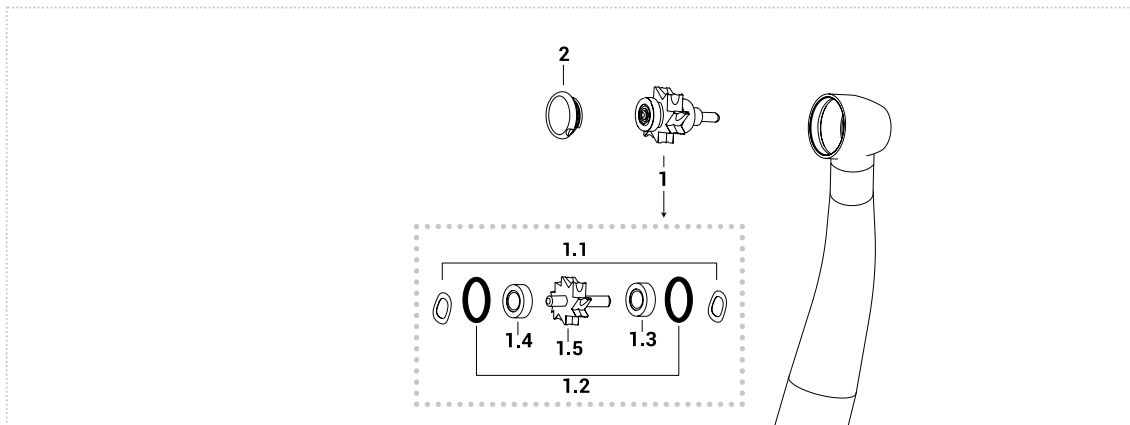


	1	1.1	1.2	1.3	1.4	1.5	2
	Complete rotor	Spring washer	O-ring kit 10 pcs	Bearing type (burs side)	Bearing type (push side)	Rotor without bearings	Push button
Order code	WTA99LC	SA300F	OR66K	CN11T	CN11T	SC99W	PIV2046W
	WTA99LCM			CB11BC	CB11BC		

1.3 - 1.4								
Order code	Bearing	Size d.i/d.e/h(mm)	Cage	Balls	Contact	Abec	Brand	Type
	CN11T	3,175X6,350X2,779	Fenolic	Steel	Radial	7	Myonic	Smooth
	CB11BC	3,175X6,350X2,779	Fenolic	Ceramic	Radial	7	Myonic	Smooth

RELATED PRODUCTS

Push button Key	Adapter for spindles	Lubrication	
Order code	KE1033	CL5.001V	LIV1018 Ivory Silk Oil OL101S



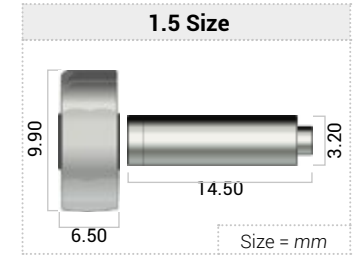
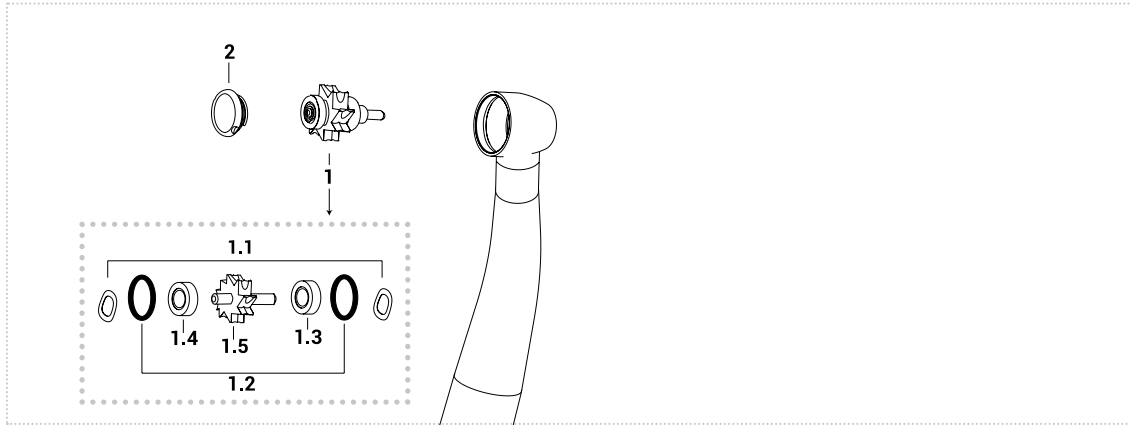
	1	1.1	1.2	1.3	1.4	1.5	2
	Complete rotor	Spring washer	O-ring kit 10 pcs	Bearing type (burs side)	Bearing type (push side)	Rotor without bearings	Push button
Order code	WHX98N	SA300F	OR66K	CN01B	CN01B	SC98W	PIV2034W
	WTX98CH			CN11BC	CN11BC		
	WTX98N			CN11T	CN11T		
	WTX98CC			CB11BC	CB11BC		

1.3 - 1.4								
	Bearing	Size d.i/d.e/h(mm)	Cage	Balls	Contact	Abec	Brand	Type
Order code	CN01B	3,175X6,350X2,779	Torlon	Steel	Radial	7	Tecnomed Italia	Smooth
	CN11BC	3,175X6,350X2,779	Torlon	Ceramic	Radial	7	Tecnomed Italia	Smooth
	CN11T	3,175X6,350X2,779	Fenolic	Steel	Radial	7	Myonic	Smooth
	CB11BC	3,175X6,350X2,779	Fenolic	Ceramic	Radial	7	Myonic	Smooth

RELATED PRODUCTS			
Push button key	Adapter for spindles	Lubrication	
Order code	KIV1887W	CL5.001V	LIV1018 Ivory Silk Oil OL101S

W&H® 290B - 295 - 390 - 393 - 395 - 695

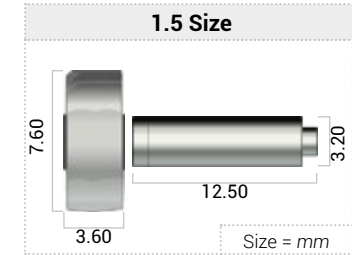
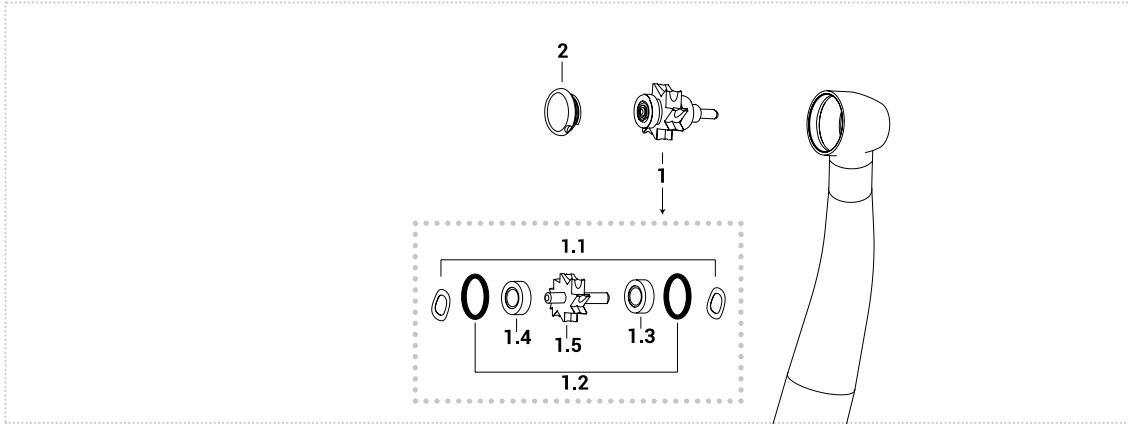
**HIGH SPEED
HANDPIECE**



	1	1.1	1.2	1.3	1.4	1.5	2
	Complete rotor	Spring washer	O-ring kit 10 pcs	Bearing type (burs side)	Bearing type (push side)	Rotor without bearings	Push button
Order code	WH39XN	SA300F	OR66K	CN02A	CN02A	SC95W	PIV2013W
	WT39XNT			CB22BC	CB22BC		

1.3 - 1.4								
Order code	Bearing	Size d.i/d.e/h(mm)	Cage	Balls	Contact	Abec	Brand	Type
	CN02A	3,175X6,350X2,380	Torlon	Steel	Radial	7	Tecnomed Italia	Smooth
	CB22BC	3,175X6,350X2,380	Fenolic	Ceramic	Radial	7	Myonic	Smooth

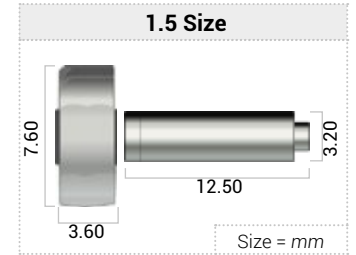
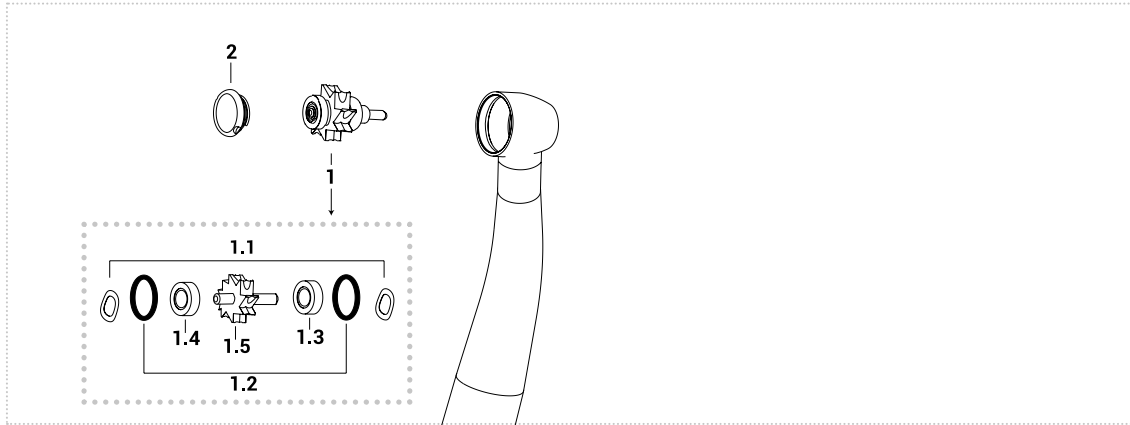
RELATED PRODUCTS			
Push button key	Adapter for spindles	Lubrication	
Order code	KIV1897W	CL5.001V	LIV1018 Ivory Silk Oil OL101S



	1	1.1	1.2	1.3	1.4	1.5	2
	Complete rotor	Spring washer	O-ring kit 10 pcs	Bearing type (burs side)	Bearing type (push side)	Rotor without bearings	Push button
Order code	WH86A	SA300F	OR66K	CN01B	CN01B	SC86W	PIV2023W
	WH86T			CN11T	CN11T		

1.3 - 1.4								
	Bearing	Size d.i./d.e/h(mm)	Cage	Balls	Contact	Abec	Brand	Type
Order code	CN01B	3,175X6,350X2,779	Torlon	Steel	Radial	7	Tecnomed Italia	Smooth
	CN11T	3,175X6,350X2,779	Fenolic	Steel	Radial	7	Myonic	Smooth

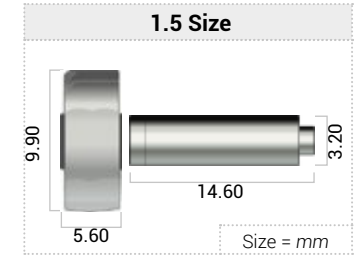
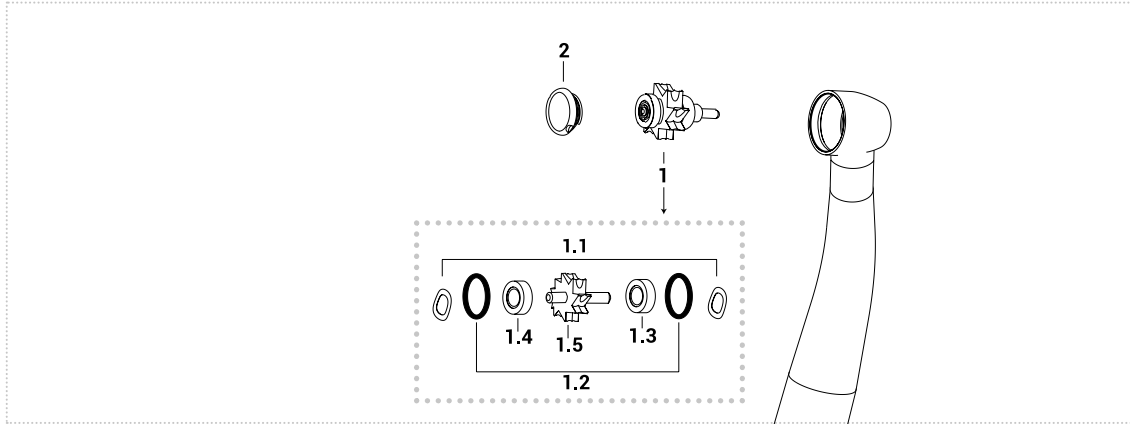
RELATED PRODUCTS			
Push button key	Adapter for spindles	Lubrication	
Order code	KIV1896W	CL5.001V	LIV1018 Ivory Silk Oil OL101S



	1	1.1	1.2	1.3	1.4	1.5	2
	Complete rotor	Spring washer	O-ring kit 10 pcs	Bearing type (burs side)	Bearing type (push side)	Rotor without bearings	Push button
Order code	WH86A	SA300F	OR66K	CN01B	CN01B	SC86W	BC2022W
	WH86T			CN11T	CN11T		

1.3 - 1.4							
Bearing	Size d.i/d.e/h(mm)	Cage	Balls	Contact	Abec	Brand	Type
CN01B	3,175X6,350X2,779	Torlon	Steel	Radial	7	Tecnomed Italia	Smooth
CN11T	3,175X6,350X2,779	Fenolic	Steel	Radial	7	Myonic	Smooth

RELATED PRODUCTS			
Push button key	Adapter for spindles	Lubrication	
Order code	KIV1896W	CL5.001V	LIV1018 Ivory Silk Oil OL101S



	1	1.1	1.2	1.3	1.4	1.5	2
	Complete rotor	Spring washer	O-ring kit 10 pcs	Bearing type (burs side)	Bearing type (push side)	Rotor without bearings	Push button
Order code	WHX95V	SA300F	OR66K	CN02A	CN01B	SC79W	PIV2034W
	WTX95CH			CN22BC	CN22BC		
	WTX95VT			CN22MC	CN22MC		
	WTX95CC			CB22BC	CB22BC		

1.3 - 1.4								
	Bearing	Size d.i/d.e/h(mm)	Cage	Balls	Contact	Abec	Brand	Type
Order code	CN02A	3,175X6,350X2,380	Torlon	Steel	Radial	7	Tecnomed Italia	Smooth
	CN22BC	3,175X6,350X2,380	Torlon	Ceramic	Radial	7	Tecnomed Italia	Smooth
	CN22MC	3,175X6,350X2,380	Fenolic	Steel	Radial	7	Myonic	Smooth
	CB22BC	3,175X6,350X2,380	Fenolic	Ceramic	Radial	7	Myonic	Smooth

RELATED PRODUCTS			
Push button key	Adapter for spindles	Lubrication	
Order code	KIV1887W	CL5.001V	LIV1018 Ivory Silk Oil OL101S